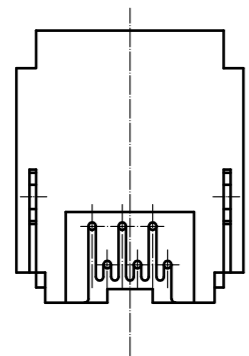
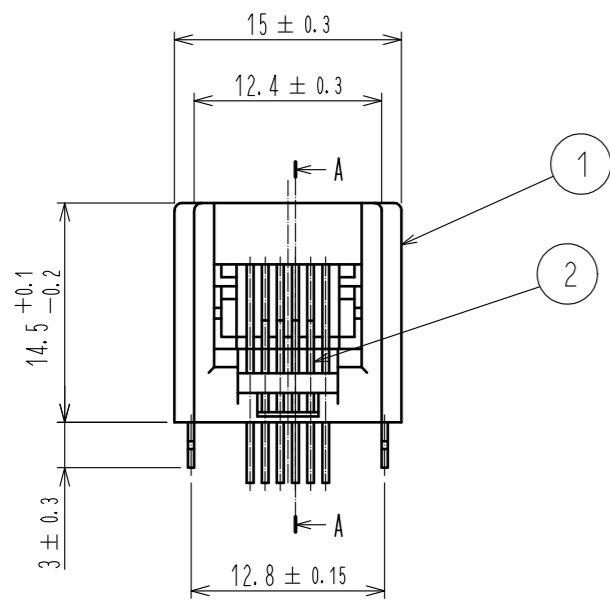
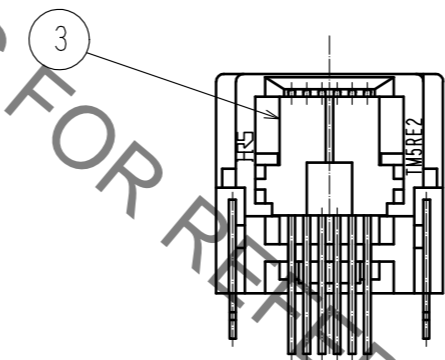
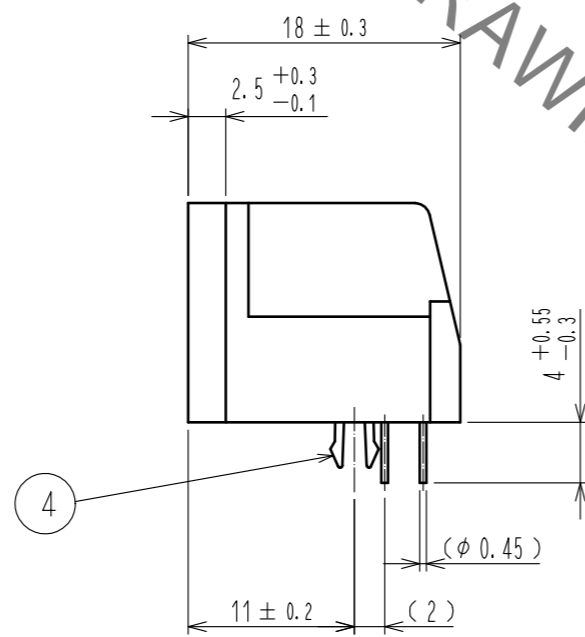
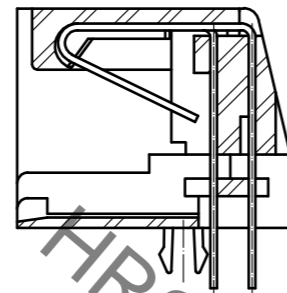


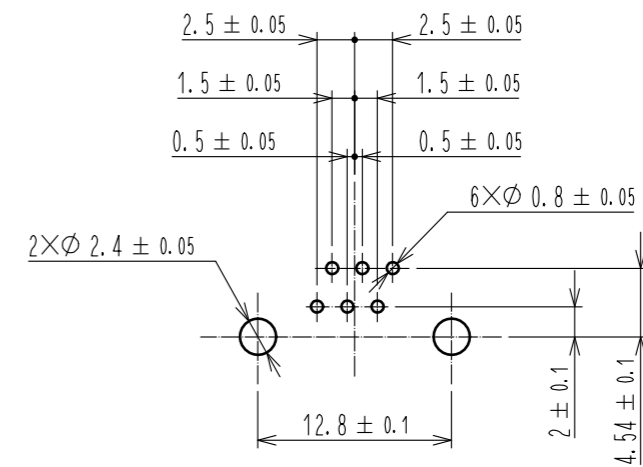
Sep.1.2021 Copyright 2021 HIROSE ELECTRIC CO., LTD. All Rights Reserved.
In case of consideration for using Automotive equipment / device which demand high reliability, kindly contact our sales window correspondents.



Contact mounting
A-A



PC board pattern



Notes 1. Dimensions are viewed from the connector mounting side on PCB.
2. PC board thickness 1.6mm.

Note 1. The dimensions in parentheses are for reference.

2	Phosphor bronze	Contact area : Gold plating 1.27μm min. Lead : Gold plating 0.03μm min. Under : Nickel plating 1.27μm min.	4	Phosphor bronze	Tin plating 1mm min.			
1	PBT	Dark gray . UL94V-0	3	PBT	Black . UL94V-0			
NO.	MATERIAL	FINISH . REMARKS	NO.	MATERIAL	FINISH . REMARKS			
UNITS		SCALE	COUNT	DESCRIPTION OF REVISIONS		DESIGNED	CHECKED	DATE
mm		2 : 1						
HRS HIROSE ELECTRIC CO., LTD.		APPROVED : RI. TAKAYASU	18.06.12	DRAWING NO.		EDC-023812-20-03		
		CHECKED : RI. TAKAYASU	18.06.12	PART NO.		TM5RE2-66(20)		
		DESIGNED : MO. SHIMOYAMA	18.06.12	CODE NO.		CL222-1225-0-20		
		DRAWN : SJ. SATO	18.06.12			1/1		

Mouser Electronics

Authorized Distributor

Click to View Pricing, Inventory, Delivery & Lifecycle Information:

[Hirose Electric:](#)

[TM5RE2-66\(20\)](#)