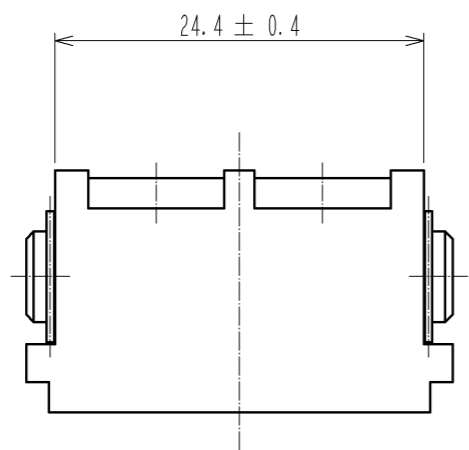
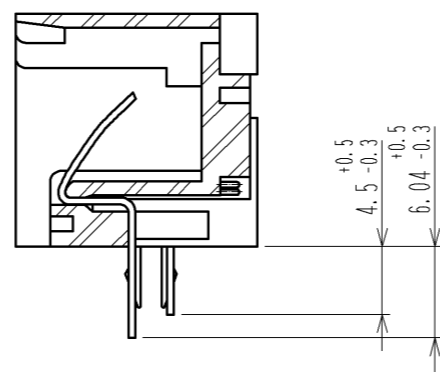


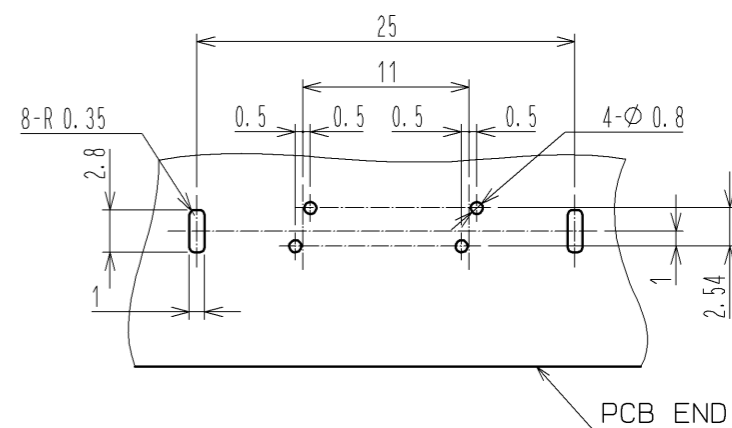
Sep.1.2021 Copyright 2021 HIROSE ELECTRIC CO., LTD. All Rights Reserved.
In case of consideration for using Automotive equipment / device which demand high reliability, kindly contact our sales window correspondents.



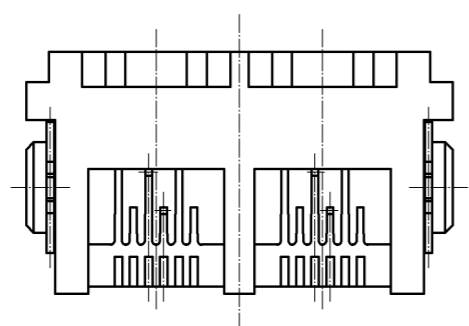
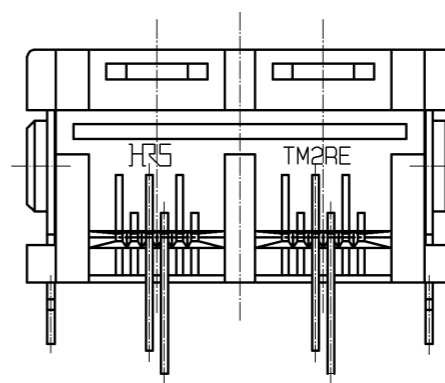
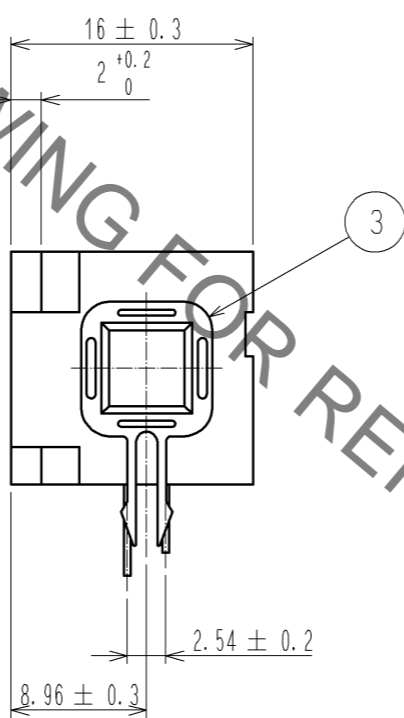
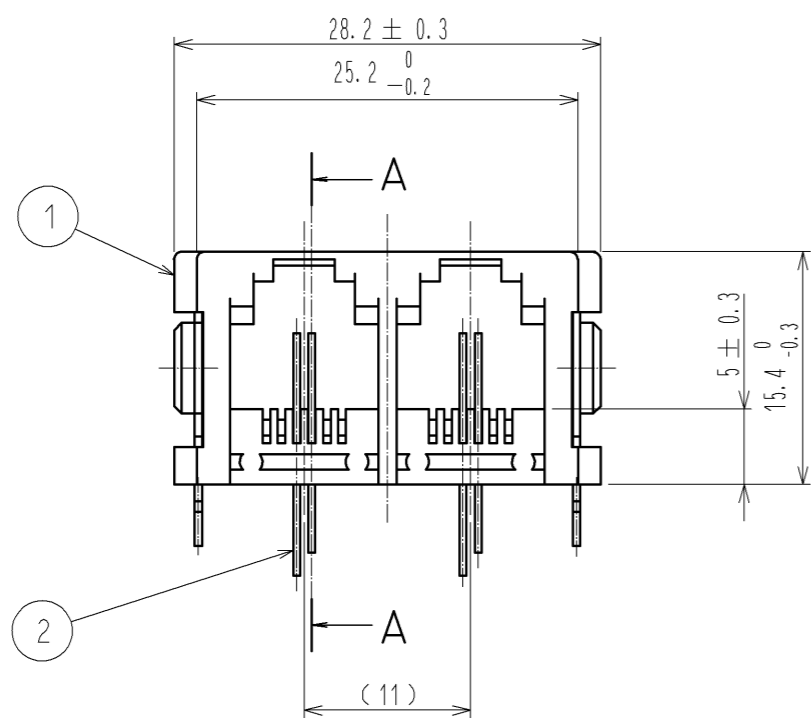
A-A



REFERENCE PCB LAYOUT
t=1.6 (CONNECTOR MOUNTING SURFACE)



ALLOWANCE HAS NOT BEEN DESCRIBED TO THE REFERENCE DIMENSION.



HRS DRAWING FOR REFERENCE

2	PHOSPHOR BRONZE	CONTACT AREA : GOLD PLATING 1.27 μm MIN LEAD AREA : GOLD PLATING 0.03 μm MIN						
1	PBT	UL94V-0 (GRAY)	3	PHOSPHOR BRONZE	TIN PLATING 1 μm MIN			
NO.	MATERIAL	FINISH . REMARKS	NO.	MATERIAL	FINISH . REMARKS			
UNITS mm		SCALE 2 : 1	COUNT 	DESCRIPTION OF REVISIONS		DESIGNED	CHECKED	DATE
HRS HIROSE ELECTRIC CO., LTD.		APPROVED : YH. ENAMI	08.10.02	DRAWING NO.		EDC3-022570-02		
		CHECKED : HO. MIWA	08.10.01	PART NO.		TM2REA-1204(50)		
		DESIGNED : KI. NAGANUMA	08.09.30	CODE NO.		CL222-0802-6-50		
		DRAWN : KI. NAGANUMA	08.09.30					

Mouser Electronics

Authorized Distributor

Click to View Pricing, Inventory, Delivery & Lifecycle Information:

[Hirose Electric:](#)

[TM2REA-1204\(50\)](#)