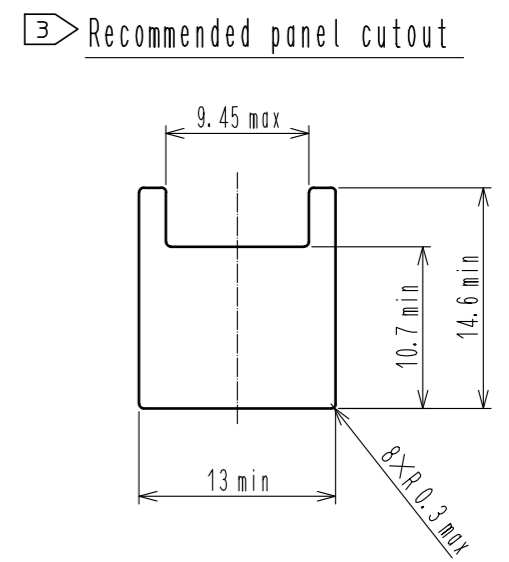
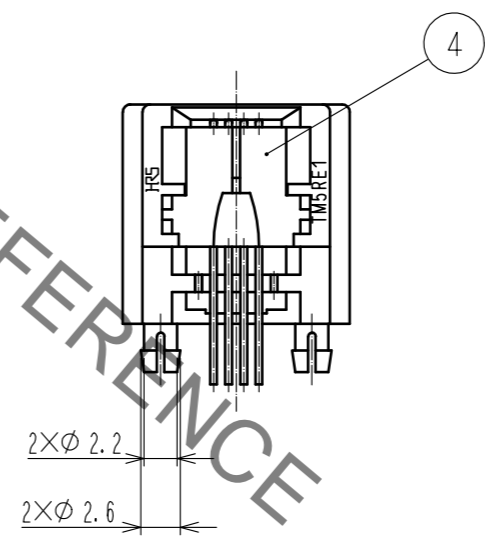
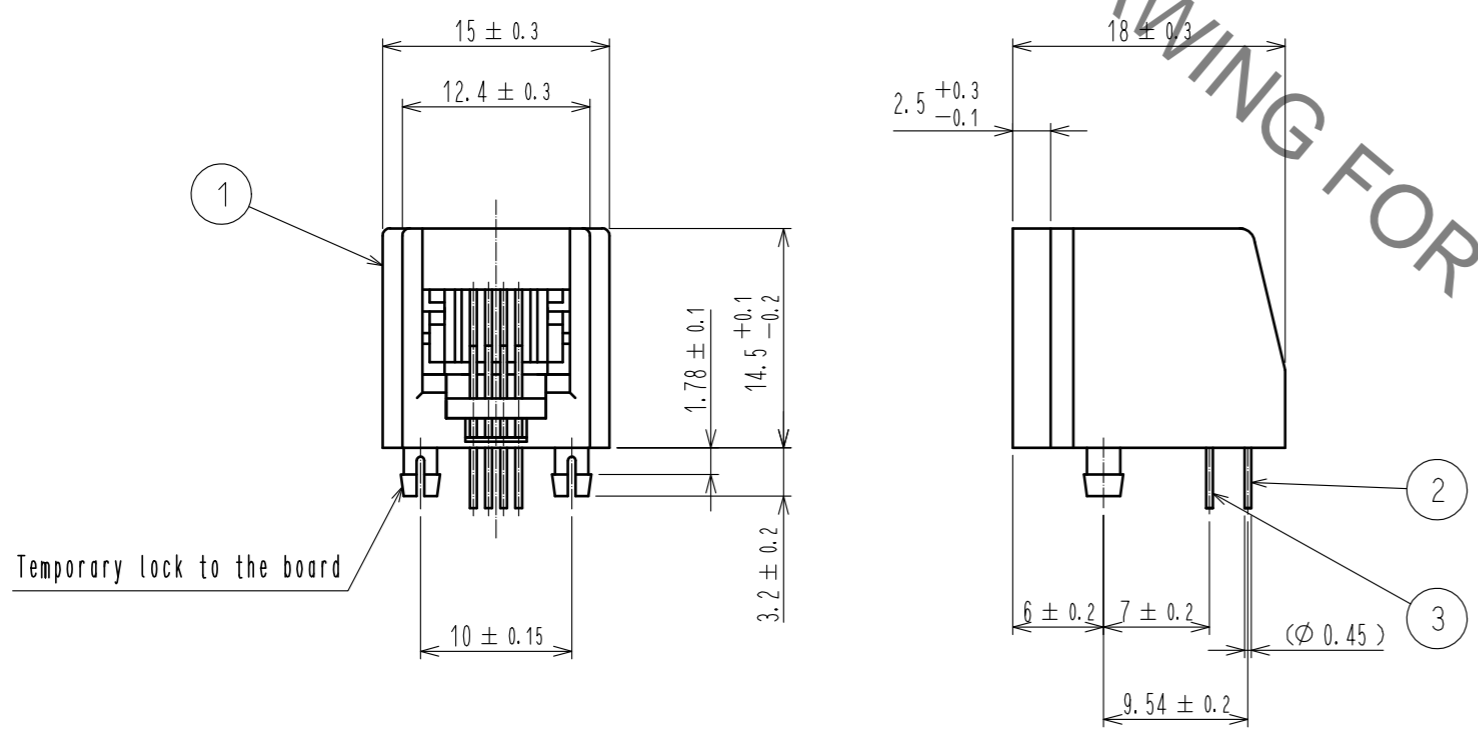
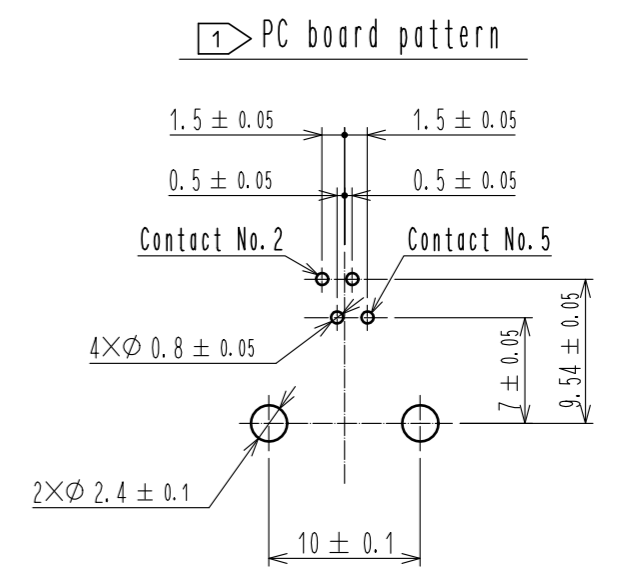
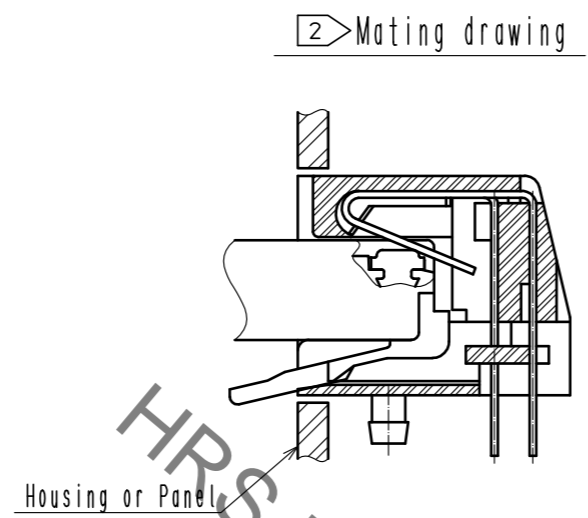


Sep.1.2021 Copyright 2021 HIROSE ELECTRIC CO., LTD. All Rights Reserved.  
In case of consideration for using Automotive equipment / device which demand high reliability, kindly contact our sales window correspondents.



- Notes
- 1 Dimensions are viewed from the connector mounting side on PCB.
  - 2 Connector shall be reinforced with housing or panel after mounting.
  - 3 In consideration of tolerance between panel and board, or tolerance of machining, the opening part shall be designed as small as possible.

2	Phosphor bronze	Contact area : Gold plating 1.27µm min Lead : Gold plating 0.03µm min Under : Nickel plating 1.27µm min	4	PBT	Black . UL94V-0			
1	PBT	Dark gray . UL94V-0	3	Phosphor bronze	Contact : Gold plating 1.27µm min Lead : Gold plating 0.03µm min Under : Nickel plating 1.27µm min			
NO.	MATERIAL	FINISH . REMARKS	NO.	MATERIAL	FINISH . REMARKS			
UNITS		SCALE	COUNT	DESCRIPTION OF REVISIONS		DESIGNED	CHECKED	DATE
mm		2 : 1						
<b>HRS</b> HIROSE ELECTRIC CO., LTD.		APPROVED : RI. TAKAYASU	18.06.12	DRAWING NO.		EDC-021570-20-03		
		CHECKED : RI. TAKAYASU	18.06.12	PART NO.		TM5RE1-64(20)		
		DESIGNED : MO. SHIMOYAMA	18.06.12	CODE NO.		CL222-0540-1-20		
		DRAWN : SJ. SATO	18.06.12					

# Mouser Electronics

Authorized Distributor

Click to View Pricing, Inventory, Delivery & Lifecycle Information:

[Hirose Electric:](#)

[TM5RE1-64\(20\)](#)