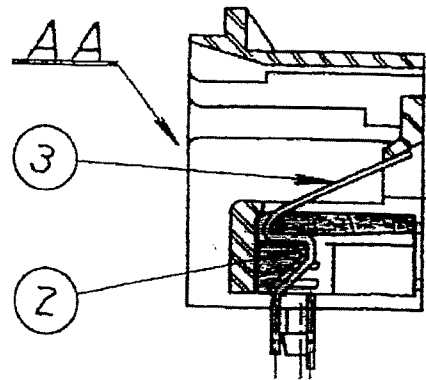
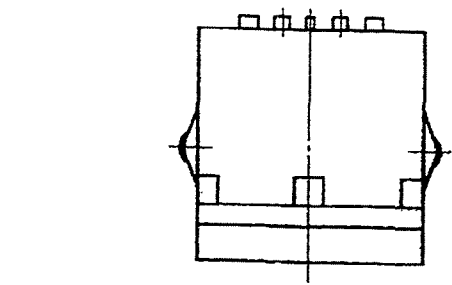
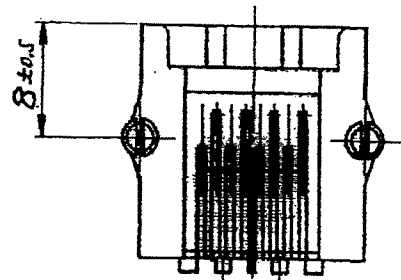
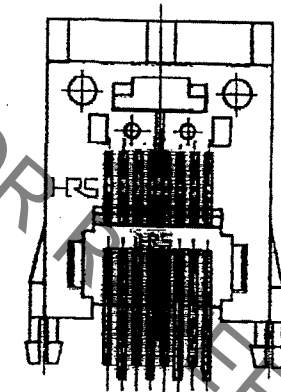
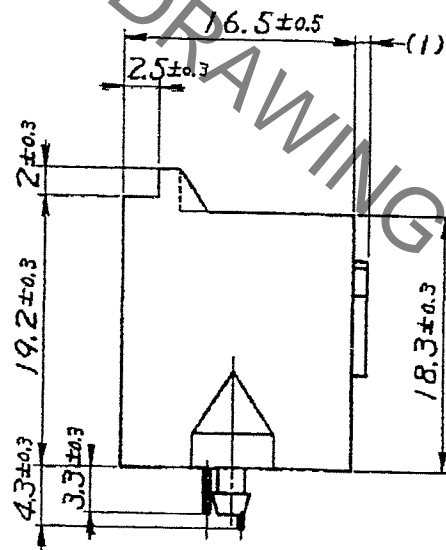
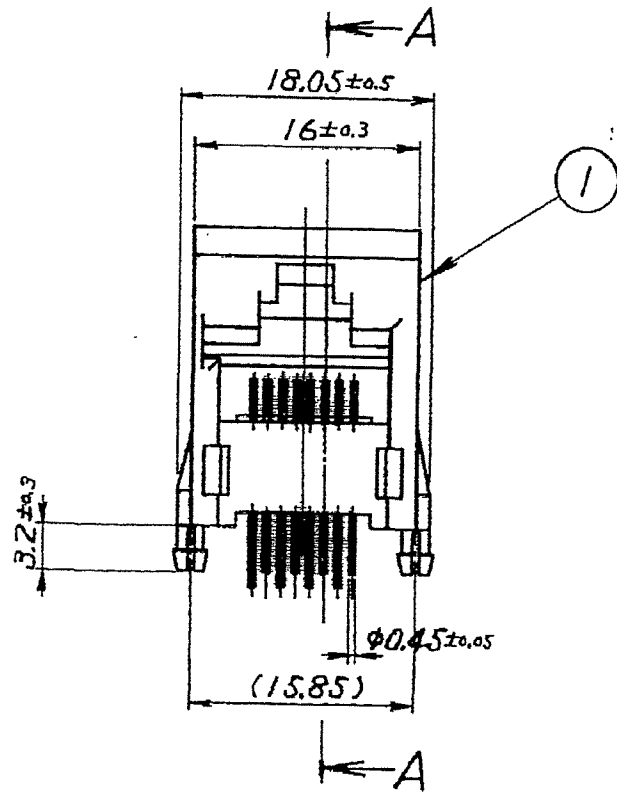
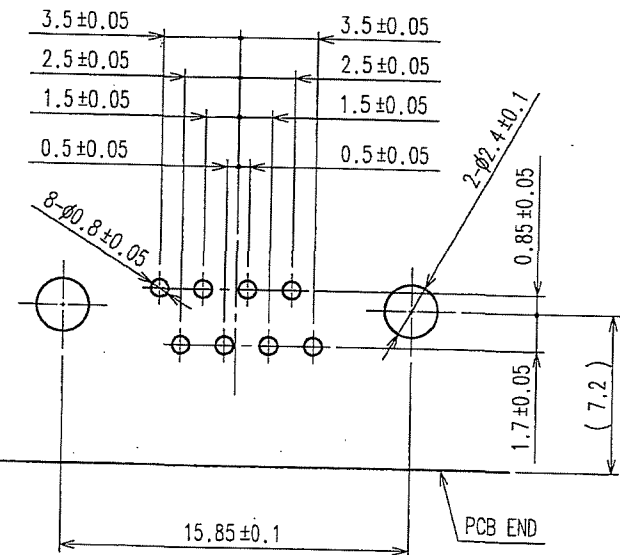


Aug.1.2021 Copyright 2021 HIROSE ELECTRIC CO., LTD. All Rights Reserved.  
In case of consideration for using Automotive equipment / device which demand high reliability, kindly contact our sales window correspondents.

COUNT	DESCRIPTION OF REVISIONS	BY	CHKD	DATE	COUNT	DESCRIPTION OF REVISIONS	BY	CHKD	DATE
2	DIS-E-001632	Y.S	Y.E	07.07.10					



RECOMMENDED PC BOARD PATTERN(MOUNTING SIDE)  
t=1.6



NOTE 1. THE DIMENSIONS IN PARENTHESIS ARE FOR REFERENCE.

2	PBT	UL94V-0 DARK GRAY	△				
1	PBT	UL94V-0 DARK GRAY	△	3	PHOSPHOR BRONZE	GOLD PLATING	
NO.	MATERIAL	FINISH, REMARKS		NO.	MATERIAL	FINISH, REMARKS	
CODE NO.(OLD) CL				DRAWN	DESIGNED	CHECKED	APPROVED
				T.ITO	T.ITO	S.SHIMIZU	S.KIKUTA
				'06.07.05	'06.07.05	'06.07.05	'06.07.05
DRAWING NO. EDC3-020675-02				PART NO. TM5RC-88(50)			
SCALE 2 : 1				CODE NO. CL222-0339-3-50			
UNITS mm				HRS HIROSE ELECTRIC CO., LTD			

TO

# Mouser Electronics

Authorized Distributor

Click to View Pricing, Inventory, Delivery & Lifecycle Information:

[Hirose Electric:](#)

[TM5RC-88\(50\)](#)