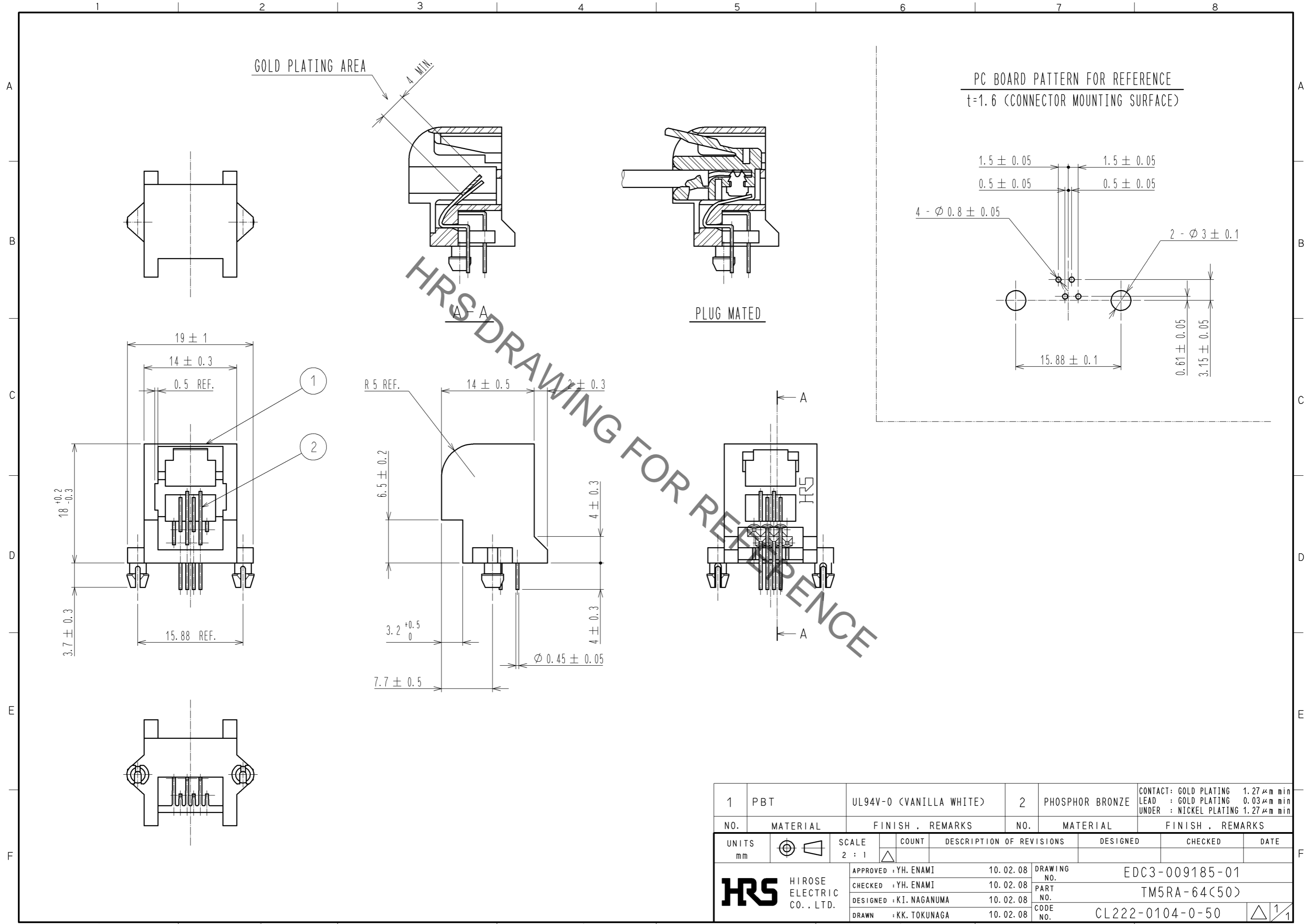


Sep.1.2021 Copyright 2021 HIROSE ELECTRIC CO., LTD. All Rights Reserved.
In case of consideration for using Automotive equipment / device which demand high reliability, kindly contact our sales window correspondents.



1	PBT	UL94V-0 (VANILLA WHITE)	2	PHOSPHOR BRONZE	CONTACT: GOLD PLATING 1.27 μm min LEAD : GOLD PLATING 0.03 μm min UNDER : NICKEL PLATING 1.27 μm min			
NO.	MATERIAL	FINISH . REMARKS	NO.	MATERIAL	FINISH . REMARKS			
UNITS mm			SCALE 2 : 1	COUNT 	DESCRIPTION OF REVISIONS	DESIGNED	CHECKED	DATE
HIROSE ELECTRIC CO., LTD.			APPROVED : YH. ENAMI	10.02.08	DRAWING NO.	EDC3-009185-01		
			CHECKED : YH. ENAMI	10.02.08	PART NO.	TM5RA-64(50)		
			DESIGNED : KI. NAGANUMA	10.02.08	CODE NO.	CL222-0104-0-50		
			DRAWN : KK. TOKUNAGA	10.02.08		1/1		

Mouser Electronics

Authorized Distributor

Click to View Pricing, Inventory, Delivery & Lifecycle Information:

[Hirose Electric:](#)

[TM5RA-64\(50\)](#)