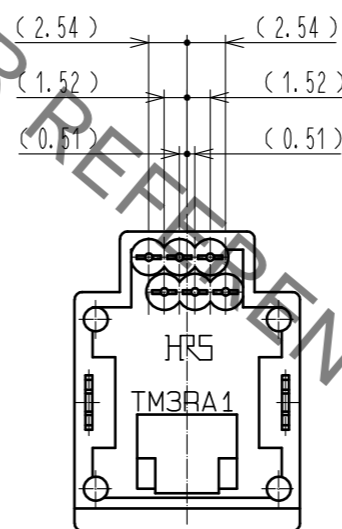
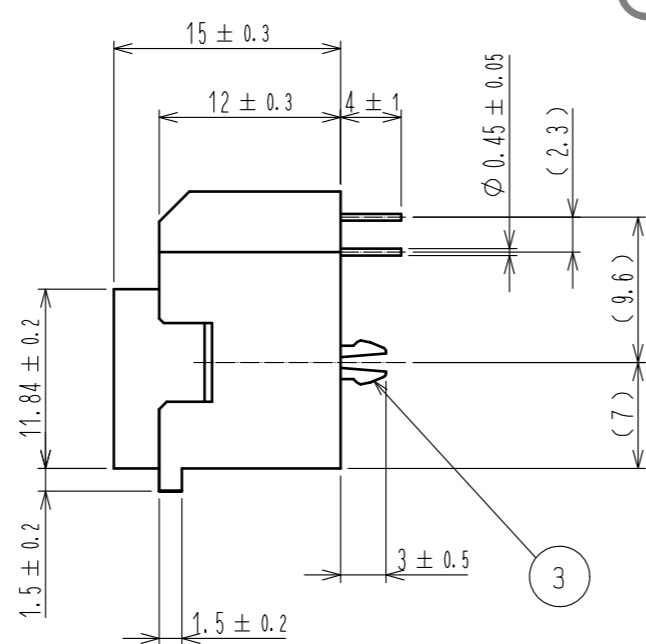
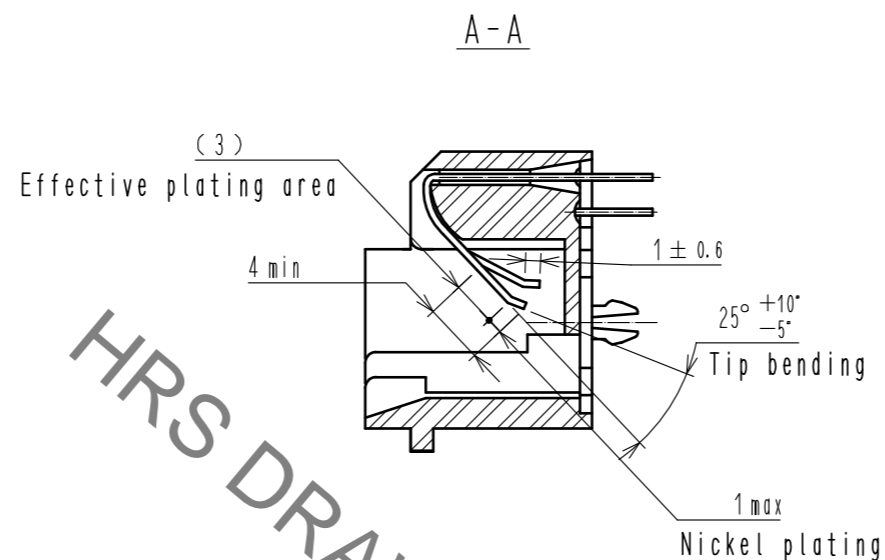
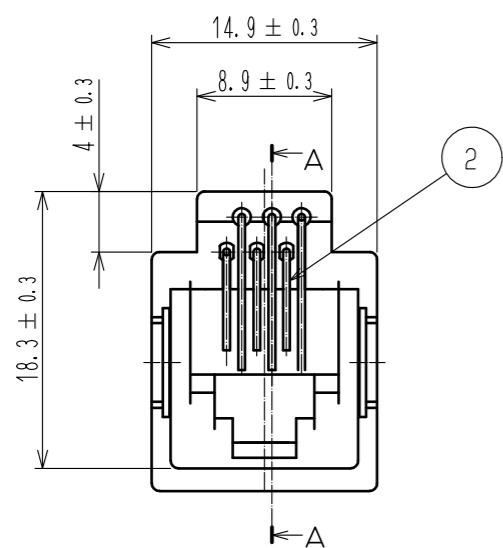
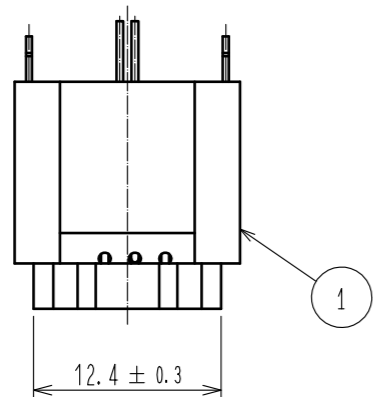


Sep.1.2021 Copyright 2021 HIROSE ELECTRIC CO., LTD. All Rights Reserved.
In case of consideration for using Automotive equipment / device which demand high reliability, kindly contact our sales window correspondents.

1 2 3 4 5 6 7 8

A
B
C
D
E
F

A
B
C
D
E
F



Notes 1 Dimensions are viewed from the connector mounting side on PCB.
2. The dimensions in parentheses are for reference

2	Phosphor bronze	Contact area : Gold plating 1.27µm min. Lead : Gold plating 0.03µm min. Under : Nickel plating 1.27µm min.	3	Copper alloy	Tin plating 1µm min.
1	PBT	Black , UL94V-0			
NO.	MATERIAL	FINISH , REMARKS	NO.	MATERIAL	FINISH , REMARKS
UNITS		SCALE	COUNT	DESCRIPTION OF REVISIONS	
mm		2 : 1		DESIGNED	CHECKED
HRS HIROSE ELECTRIC CO., LTD.		APPROVED : RI. TAKAYASU	18.06.12	DRAWING NO. EDC-043688-50-02	
		CHECKED : RI. TAKAYASU	18.06.12	PART NO. TM3RA1X-62(50)	
		DESIGNED : MO. SHIMOYAMA	18.06.12	CODE NO. CL222-5036-9-50	
		DRAWN : SJ. SATO	18.06.12	DATE	

FORM HC0011-5-7 1 2 3 4 5 6 7 8

Mouser Electronics

Authorized Distributor

Click to View Pricing, Inventory, Delivery & Lifecycle Information:

[Hirose Electric:](#)

[TM3RA1X-62\(50\)](#)