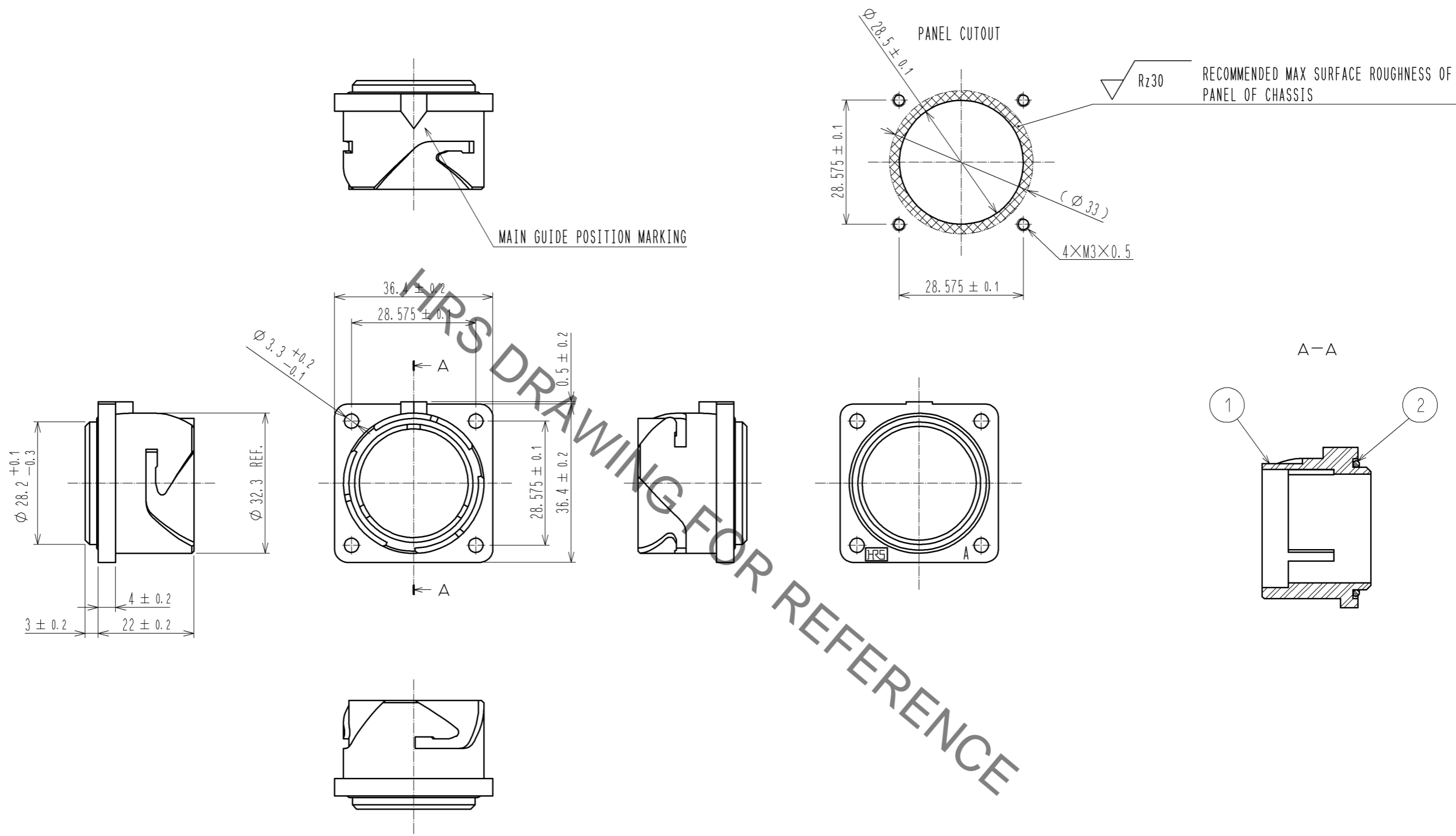


Jun.1.2021 Copyright 2021 HIROSE ELECTRIC CO., LTD. All Rights Reserved.
In case of consideration for using Automotive equipment / device which demand high reliability, kindly contact our sales window correspondents.



1 CHECK REF NO. ② IS PROPERLY SET AT THE GROOVE OF REF. NO. ①.
WHILE MOUNTING THE CONNECTOR, MAKE SURE THAT REF NO. ② IS NOT CAUGHT.

1	POLYAMIDE	BLACK. UL94V-0	2	SILICONE RUBBER	RED
NO.	MATERIAL	FINISH . REMARKS	NO.	MATERIAL	FINISH . REMARKS
UNITS mm		SCALE 1 : 1	COUNT 1	DESCRIPTION OF REVISIONS DIS-E-004496	DESIGNED SG. CHAMURA
		APPROVED : RI. TAKAYASU	13. 01. 18	DRAWING NO. EDC3-128150-00	CHECKED EJ. WAKATSUKI
HIROSE ELECTRIC CO., LTD.		CHECKED : EJ. WAKATSUKI	13. 01. 18	PART NO. TM41W-R	DATE 13. 01. 25
		DESIGNED : SG. CHAMURA	13. 01. 17	CODE NO. CL222-2980-5-00	
		DRAWN : SG. CHAMURA	13. 01. 17		

Mouser Electronics

Authorized Distributor

Click to View Pricing, Inventory, Delivery & Lifecycle Information:

[Hirose Electric:](#)

[TM41W-R](#)