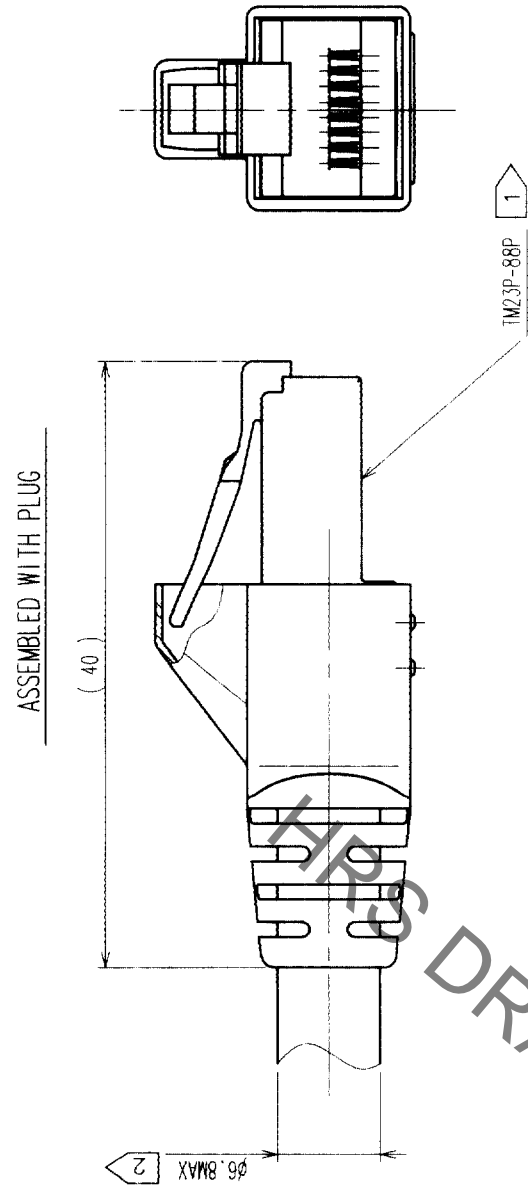
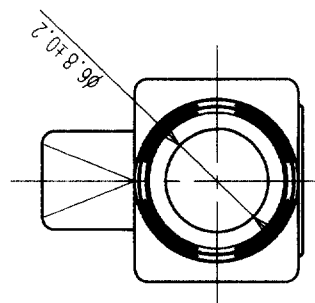
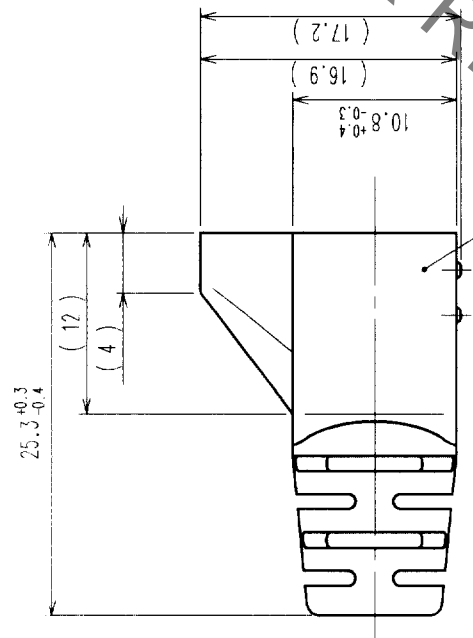
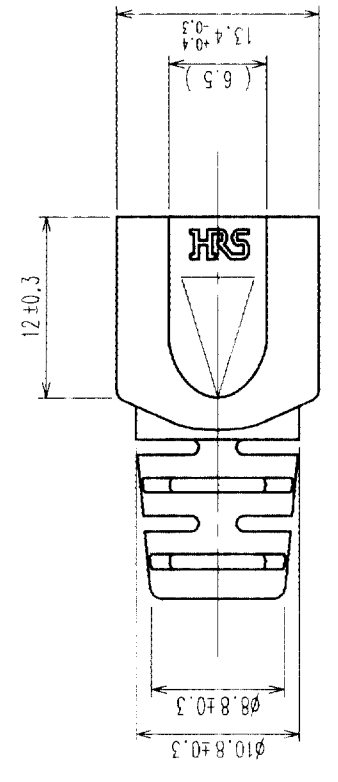


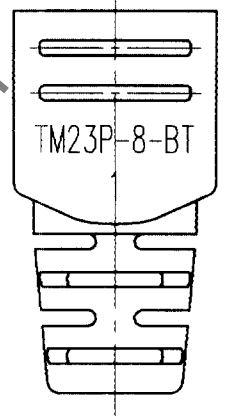
COUNT	DESCRIPTION OF REVISIONS	BY	CHKD	DATE	COUNT	DESCRIPTION OF REVISIONS	BY	CHKD	DATE
1	RE-E-09372	K.H.S.M		07.06.21					



5 TABLE-1

PART No.	HRS No.	REF. Ø	COLOR	FLAME CLASS
TM23P-8-BT	CL222-2917-9		WHITE	UL94V-0
TM23P-8-BT(01)	CL222-2917-9-01		BLACK	
TM23P-8-BT(02)	CL222-2917-9-02		RED	
TM23P-8-BT(03)	CL222-2917-9-03		BLUE	
TM23P-8-BT(04)	CL222-2917-9-04		YELLOW	
TM23P-8-BT(05)	CL222-2917-9-05		GREEN	
TM23P-8-BT(06)	CL222-2917-9-06		ORANGE	
TM23P-8-BT(07)	CL222-2917-9-07		GRAY	
TM23P-8-BT(08)	CL222-2917-9-08		SKY BLUE	

- NOTES
- THIS PART IS BOOT FOR THE CONNECTOR: TM23P-88P (CL222-2916-6)
 - APPLICABLE CABLE JACKET OUTER DIAMETER IS MAX 6.8.
 - ALL DIMENSIONS HEREIN INDICATE AFTER ASSEMBLED WITH PLUG.
 - () INDICATES THE REFERENCE DIMENSIONS.
 - COLOR No.S ARE SHOWN IN TABLE-1.



EPTR	MATERIAL	FINISH, REMARKS	NO.	MATERIAL	FINISH, REMARKS
1	CL				

NO.	MATERIAL	FINISH, REMARKS	NO.	MATERIAL	FINISH, REMARKS
1	CL				

DRAWING NO.	PART NO.
EDC3-123983-01	TM23P-8-BT

SCALE	UNITS
2 : 1	mm

DESIGNED	CHECKED	APPROVED	RELEASED
K.HIROKAWA	A.FUNATSU	S.KIKUTA	

DATE	DATE	DATE	DATE
02.12.12	02.12.12	02.12.12	

TO	
Q	

Mouser Electronics

Authorized Distributor

Click to View Pricing, Inventory, Delivery & Lifecycle Information:

[Hirose Electric:](#)

[TM23P-8-BT\(05\)](#)