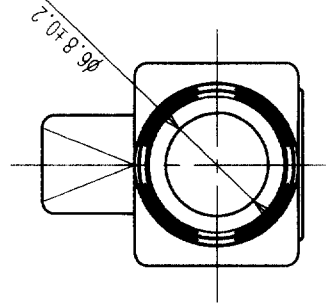
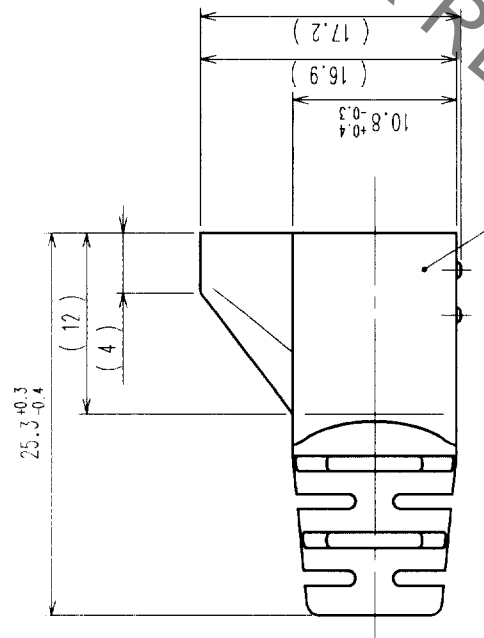
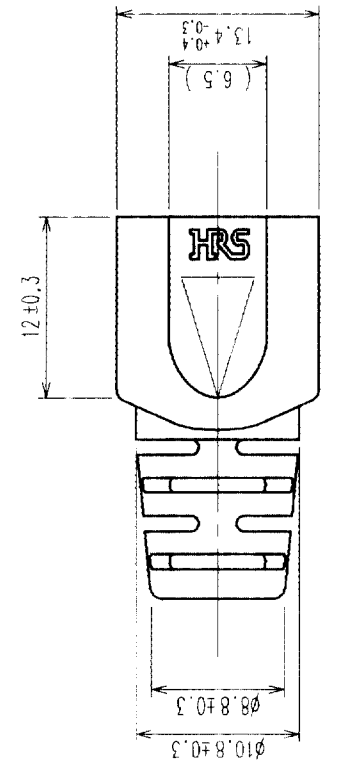
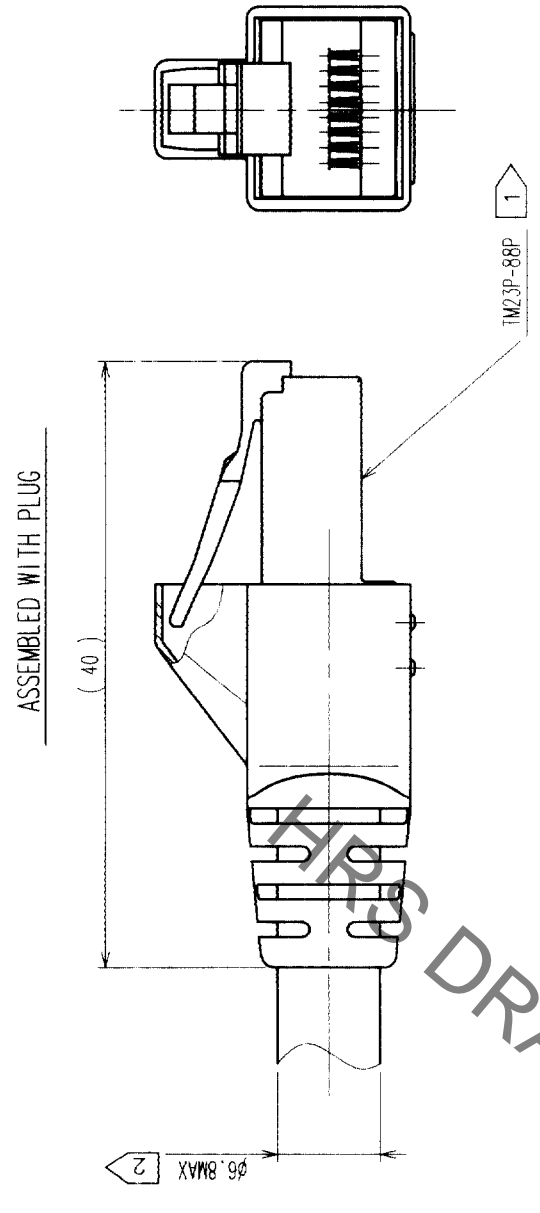


Aug.1.2021 Copyright 2021 HIROSE ELECTRIC CO., LTD. All Rights Reserved.  
 In case of consideration for using Automotive equipment / device which demand high reliability, kindly contact our sales window correspondents.

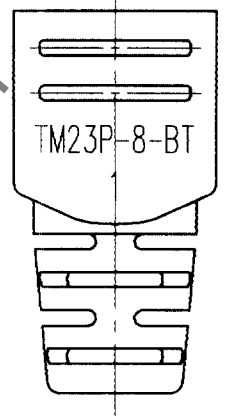
COUNT	DESCRIPTION OF REVISIONS	BY	CHKD	DATE	COUNT	DESCRIPTION OF REVISIONS	BY	CHKD	DATE
1	RE-E-09372	K.H.S.M	17.06.21						



5 TABLE-1

PART No.	HRS No.	REF. ∅	COLOR	FLAME CLASS
TM23P-8-BT	CL222-2917-9		WHITE	UL94V-0
TM23P-8-BT(01)	CL222-2917-9-01		BLACK	
TM23P-8-BT(02)	CL222-2917-9-02		RED	
TM23P-8-BT(03)	CL222-2917-9-03		BLUE	
TM23P-8-BT(04)	CL222-2917-9-04		YELLOW	
TM23P-8-BT(05)	CL222-2917-9-05		GREEN	
TM23P-8-BT(06)	CL222-2917-9-06		ORANGE	
TM23P-8-BT(07)	CL222-2917-9-07		GRAY	
TM23P-8-BT(08)	CL222-2917-9-08		SKY BLUE	

- NOTES
- 1 THIS PART IS BOOT FOR THE CONNECTOR: TM23P-88P (CL222-2916-6)
  - 2 APPLICABLE CABLE JACKET OUTER DIAMETER IS MAX 6.8.
  - 3 ALL DIMENSIONS HEREIN INDICATE AFTER ASSEMBLED WITH PLUG.
  - 4 ( ) INDICATES THE REFERENCE DIMENSIONS.
  - 5 COLOR No. S ARE SHOWN IN TABLE-1.



NO.	EPT#	MATERIAL	FINISH, REMARKS	NO.	MATERIAL	FINISH, REMARKS
1		CL				

DRAWN	DESIGNED	CHECKED	APPROVED	RELEASED
K.HIROKAWA	K.HIROKAWA	A.FUNATSU	S.KIKUTA	
02.12.12	02.12.12	02.12.12	02.12.12	

DRAWING NO.	PART NO.
EDC3-123983-01	TM23P-8-BT

SCALE	UNITS	CODE NO.
2:1	mm	CL222-2917-9-Γ

TO Q

# Mouser Electronics

Authorized Distributor

Click to View Pricing, Inventory, Delivery & Lifecycle Information:

[Hirose Electric:](#)

[TM23P-8-BT\(04\)](#)