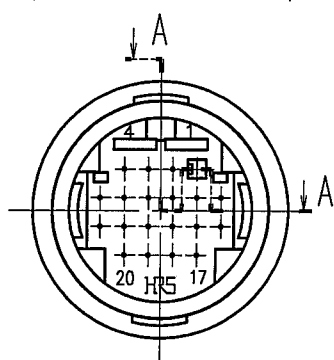
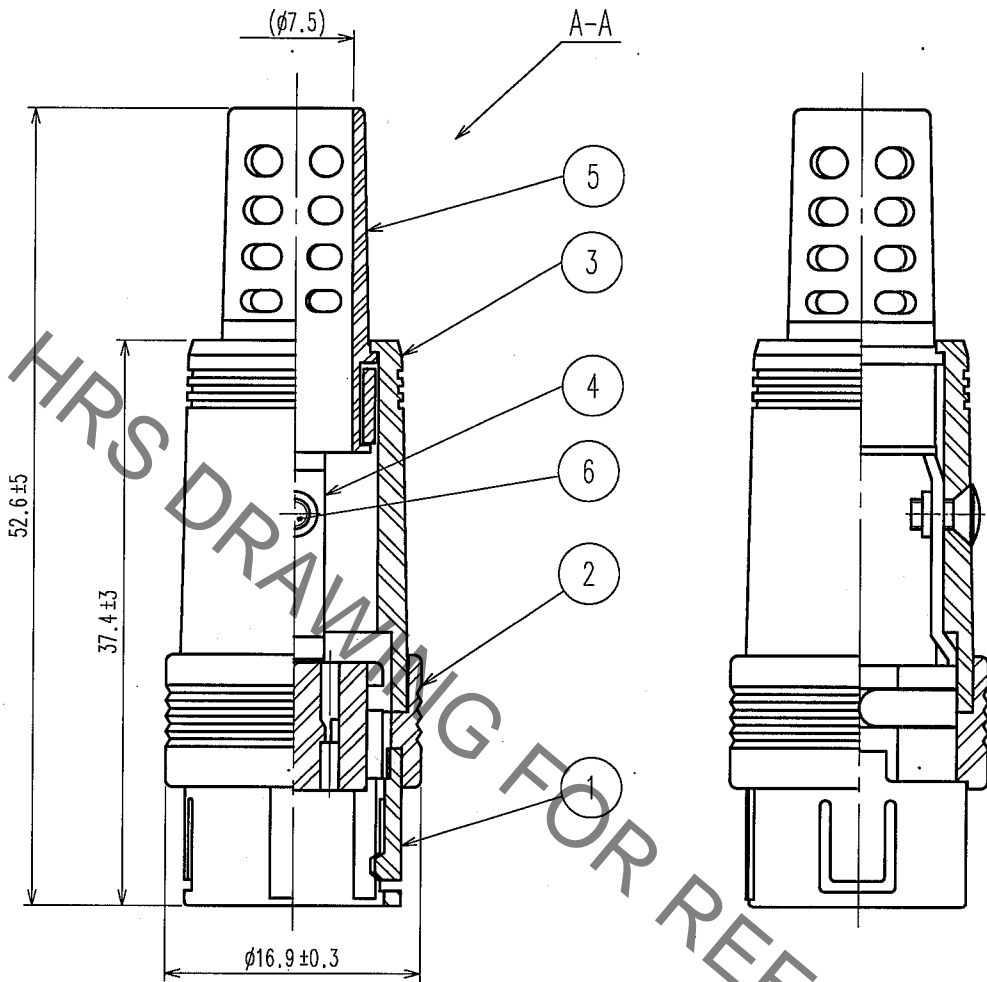


Sep.1.2021 Copyright 2021 HIROSE ELECTRIC CO., LTD. All Rights Reserved.  
 In case of consideration for using Automotive equipment / device which demand high reliability, kindly contact our sales window correspondents.

1		2			3			4		
COUNT	DESCRIPTION OF REVISIONS	BY	CHKD	DATE	COUNT	DESCRIPTION OF REVISIONS	BY	CHKD	DATE	
△					△					
△					△					
△					△					



NOTE 1 APPLICABLE CRIMP CONTACT:  
 RP19-PC-222(CL113-0264-7)  
 THIS CONTACT IS FOR  
 APPLICABLE CABLE AWG#24 TO 30.  
 2 APPLICABLE CRIMP CONTACT EXTRACTION TOOL:  
 RP6-SC-TP(CL150-0039-0)  
 3 THIS PRODUCT IS DELIVERED DISASSEMBLED.

3	POLYCARBONATE	(BLACK) UL94V-0	6	BRASS	(BLACK) CHROMATE TREATMENT (TRIVALENT CHROMIUM) JIS B 1111 M2×0.4×4
2	POLYCARBONATE	(BLACK) UL94V-0	5	FLEXIBLE POLYVINYL CHLORIDE	(BLACK)
1	POLYCARBONATE	(BLACK) UL94V-0	4	BRASS	
NO.	MATERIAL	FINISH, REMARKS	NO.	MATERIAL	FINISH, REMARKS

CODE NO. (OLD) CL	DRAWN M. Ishihara	DESIGNED E. Yumino	CHECKED H. Zemba	APPROVED M. Sato	RELEASED
	05.09.26	05.09.26	05.09.27	05.09.28	

 SCALE 2 : 1 UNITS mm	DRAWING NO. EDC4-026034-71 HIROSE ELECTRIC CO., LTD.	PART NO. RP13A-12JG-20PC(71) CODE NO. CL113-1004-1-71	1 1
-----------------------------------	--	--	--------



# Mouser Electronics

Authorized Distributor

Click to View Pricing, Inventory, Delivery & Lifecycle Information:

[Hirose Electric:](#)

[RP13A-12JG-20PC\(71\)](#)