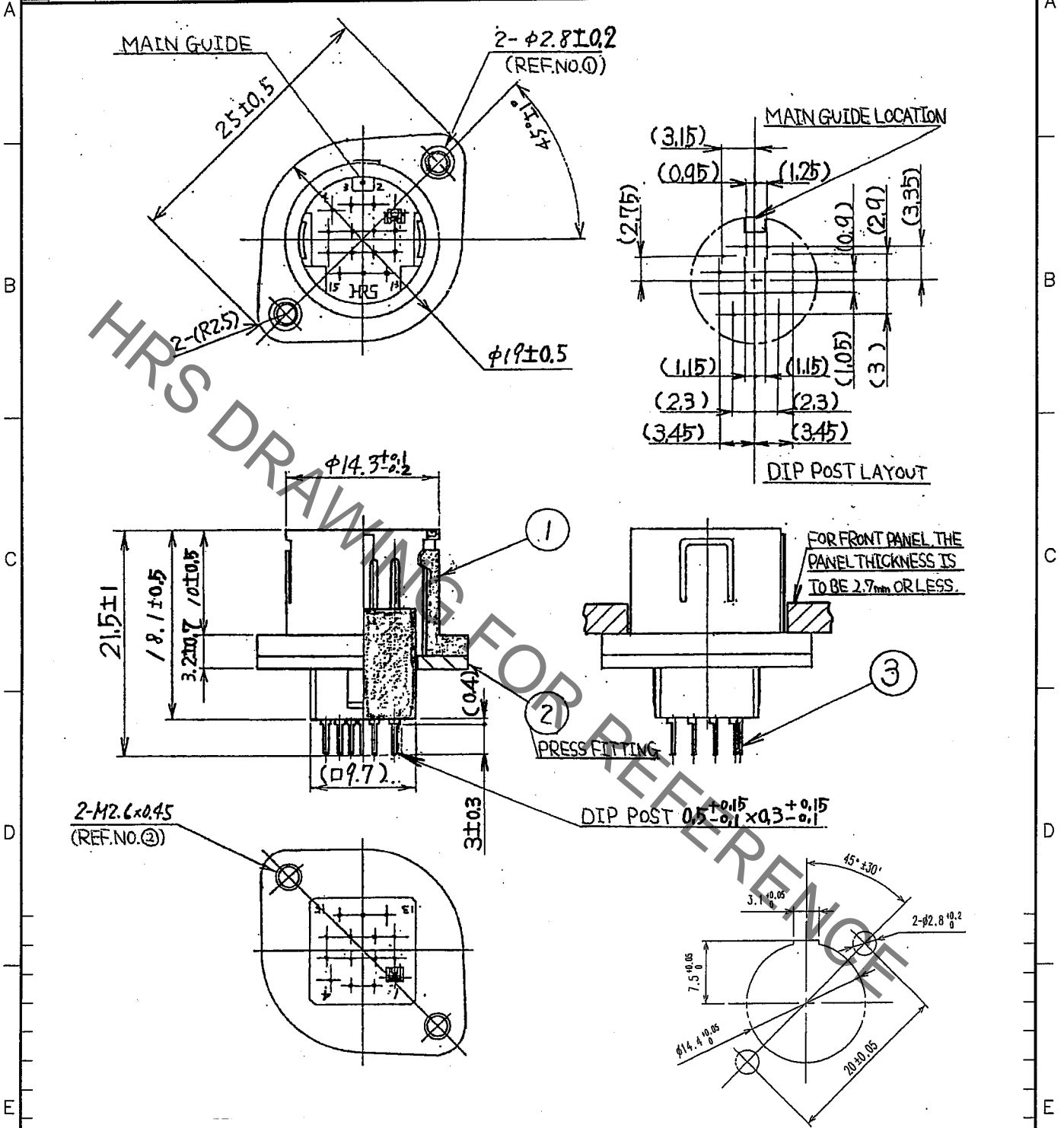


Sep.1.2021 Copyright 2021 HIROSE ELECTRIC CO., LTD. All Rights Reserved.
In case of consideration for using Automotive equipment / device which demand high reliability, kindly contact our sales window correspondents.

COUNT	DESCRIPTION OF REVISIONS	BY	CHKD	DATE	COUNT	DESCRIPTION OF REVISIONS	BY	CHKD	DATE



2	STEEL	NICKEL PLATING			
1	POLYCARBONATE	BLACK UL94V-0	3	PHOSPHOR BROBZE	SILVER PLATING 0.8μm min.
NO.	MATERIAL	FINISH, REMARKS	NO.	MATERIAL	FINISH, REMARKS

CODE NO. (OLD) CL	DRAWN M. Ishii 06.10.26	DESIGNED D. Matsume 06.10.26	CHECKED E. Kunii 06.10.26	APPROVED M. Saito 06.10.30	RELEASED
----------------------	-------------------------------	------------------------------------	---------------------------------	----------------------------------	----------

SCALE 2 : 1	DRAWING NO. EDC4-025705-71	PART NO. RP13A-12RA-15PA(71)
	UNITS mm	CODE NO. CL113-1002-6-71

TO
R



Mouser Electronics

Authorized Distributor

Click to View Pricing, Inventory, Delivery & Lifecycle Information:

[Hirose Electric:](#)

[RP13A-12RA-15PA\(71\)](#)