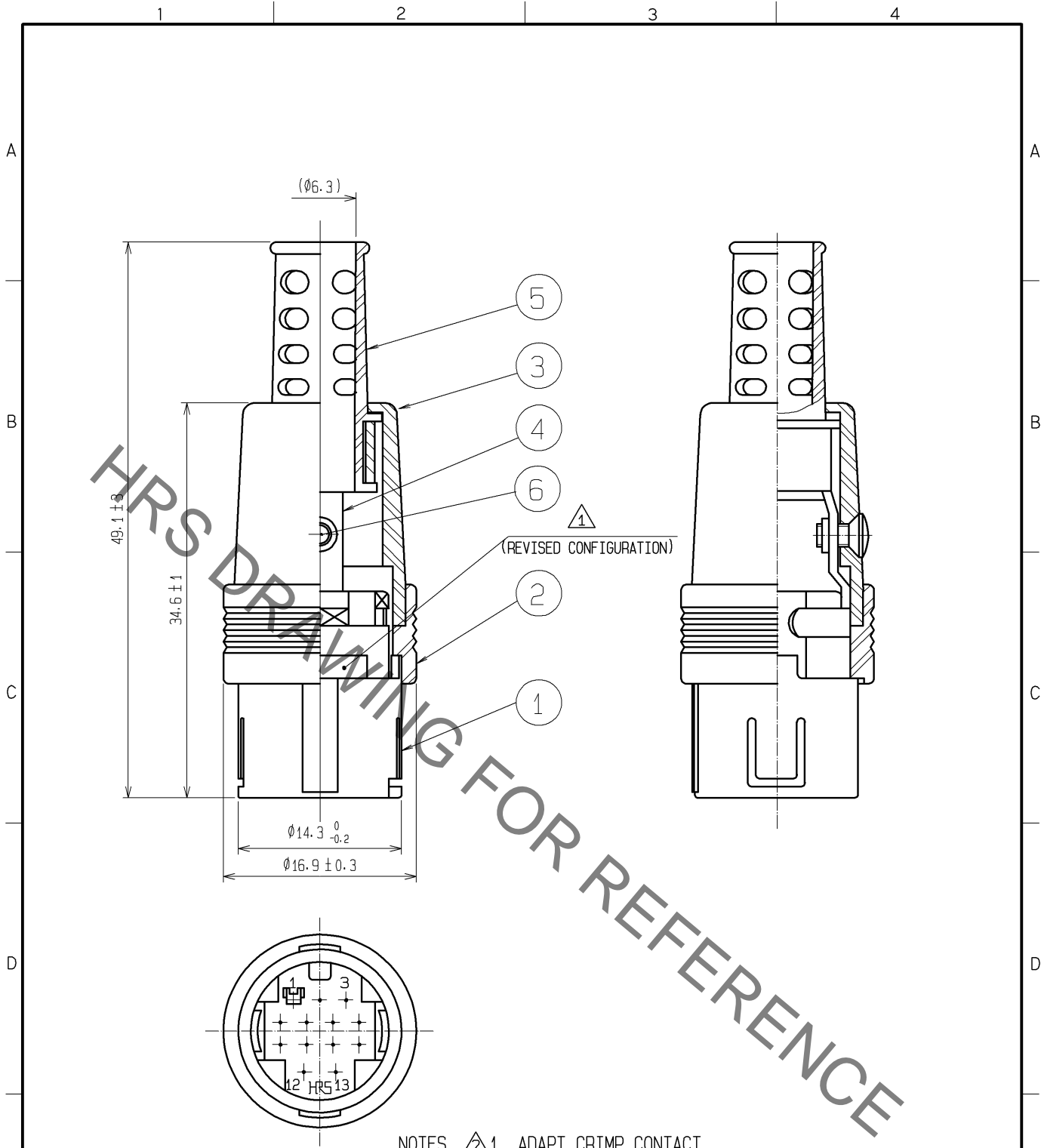


Sep.1.2021 Copyright 2021 HIROSE ELECTRIC CO., LTD. All Rights Reserved.
In case of consideration for using Automotive equipment / device which demand high reliability, kindly contact our sales window correspondents.



- NOTES \triangle 1 ADAPT CRIMP CONTACT
 RP13-PC-222(APPLICABLE WIRE : AWG#24 TO #28)
 2 EXTRACTION TOOL : RP13-PC-TP(CL150-0021-5)
 3 APPLICABLE CLAMPING TOOL : RP13A-TC-01(CL150-0070-0)
 4 REF.NO.① ~ ⑥ SHELL BE DELIVERED DISASSEMBLED.

3	POLYCARBONATE	UL94V-0(BLACK)	6	BRASS	(BLACK)CHOMATE TREATMENT (TRIVALENT CHROMIUM)	JIS B 1111 M2X0.4X4	
2	POLYCARBONATE	UL94V-0(BLACK)	5	POLYVINYLCHLORIDE	(BLACK)		
1	POLYCARBONATE	UL94V-0(BLACK)	4	BRASS			
NO.	MATERIAL	FINISH	REMARKS	NO.	MATERIAL	FINISH	REMARKS

UNITS mm		SCALE 2 : 1	COUNT \triangle 1	DESCRIPTION OF REVISIONS DIS-C-001675	DESIGNED MM. ISHII	CHECKED HY. KISHI	DATE 10. 04. 14
-------------	--	----------------	------------------------	--	-----------------------	----------------------	--------------------

HRS HIROSE ELECTRIC CO., LTD.	APPROVED : MO. SATOH	05. 11. 16	DRAWING NO.	EDC4-009601-71
	CHECKED : HT. ZENBA	05. 11. 16	PART NO.	RP13A-12J-13PC(71)
	DESIGNED : EM. YUMINO	05. 11. 10	CODE NO.	CL113-0166-8-71
	DRAWN : EM. YUMINO	05. 11. 10		\triangle 1 / 1

Mouser Electronics

Authorized Distributor

Click to View Pricing, Inventory, Delivery & Lifecycle Information:

[Hirose Electric:](#)

[RP13A-12J-13PC\(71\)](#)