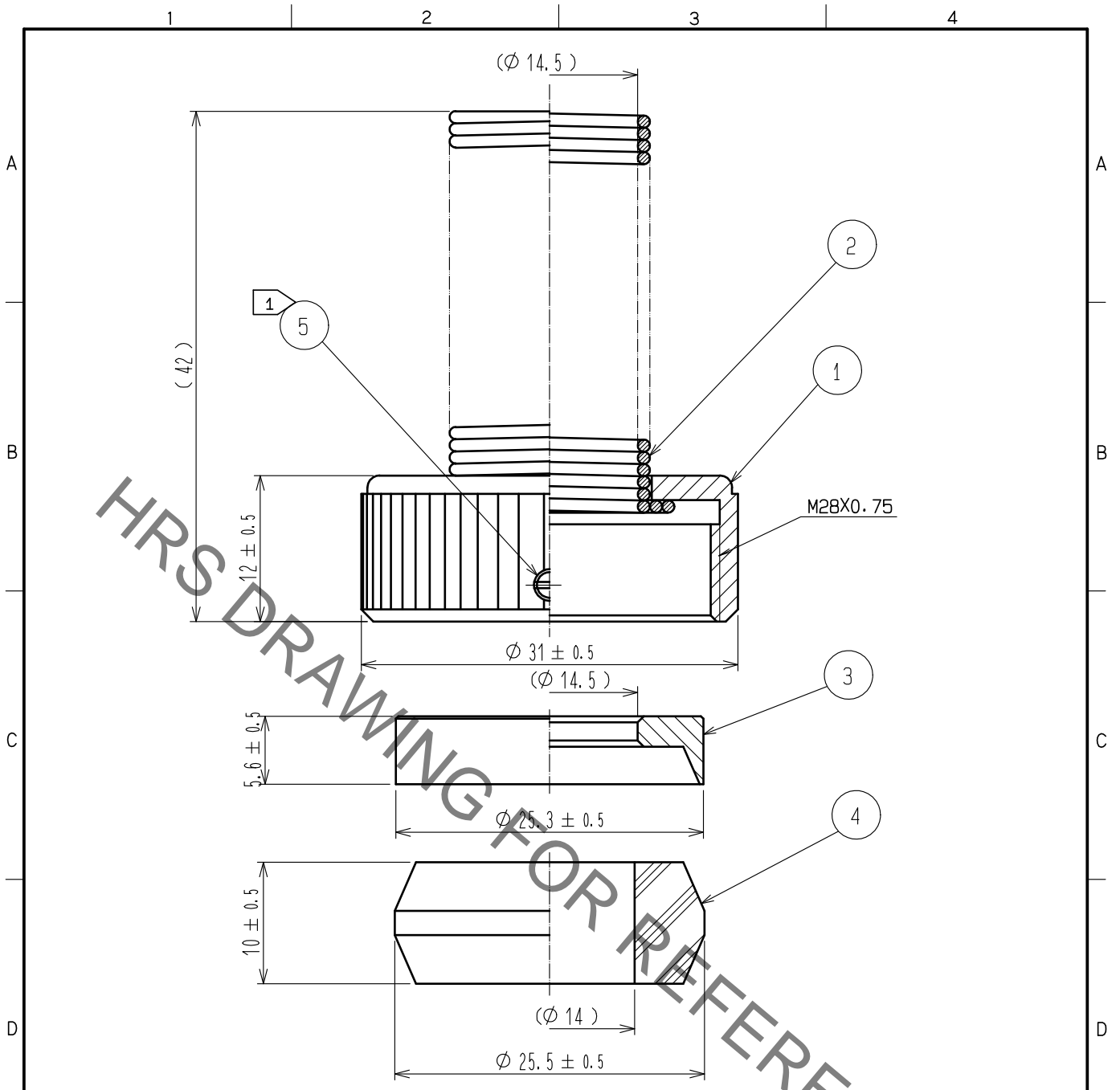


Sep.1.2021 Copyright 2021 HIROSE ELECTRIC CO., LTD. All Rights Reserved.
 In case of consideration for using Automotive equipment / device which demand high reliability, kindly contact our sales window correspondents.



- Notes
- ① The recommended cramp torque of ref.No. ⑤ shall be 0.15 to 0.2N·m. LOCTITE 263, HENKEL JAPAN or equevalent is recommended to prevent ref. No. ⑤ from loosening.
 - 2 Applicable cable : $\phi 14 \pm 0.3$
 - 3 Assemble with applicable connector : RM31WTP-**(71)
** shows number of contact, and male or female of connector.
 - 4 The cable pull and twisting strength(, waterproof tightness) and other characteristics may differ, depending on the cable structure, please confirm before the use.

3	Brass	Nickel plating							
2	Phosphor bronze	Nickel plating	5	Brass	Nickel plating				
1	Brass	Nickel plating	4	Chloroprene rubber	(Black)				
NO.	MATERIAL	FINISH .	REMARKS	NO.	MATERIAL	FINISH .	REMARKS		
UNITS mm		SCALE 2 : 1	COUNT 	DESCRIPTION OF REVISIONS		DESIGNED	CHECKED	DATE	
HIROSE ELECTRIC CO., LTD.		APPROVED	·HY. KOBAYASHI	16.01.25	DRAWING NO.	EDC-110258-71-00			
		CHECKED	·HY. KOBAYASHI	16.01.25	PART NO.	RM31WTP-CP(14)(71)			
		DESIGNED	·HY. KISHI	16.01.25	CODE NO.	CL109-1579-4-71		1	1
		DRAWN	·HY. KISHI	16.01.25					

Mouser Electronics

Authorized Distributor

Click to View Pricing, Inventory, Delivery & Lifecycle Information:

[Hirose Electric:](#)

[RM31WTP-CP\(14\)\(71\)](#)