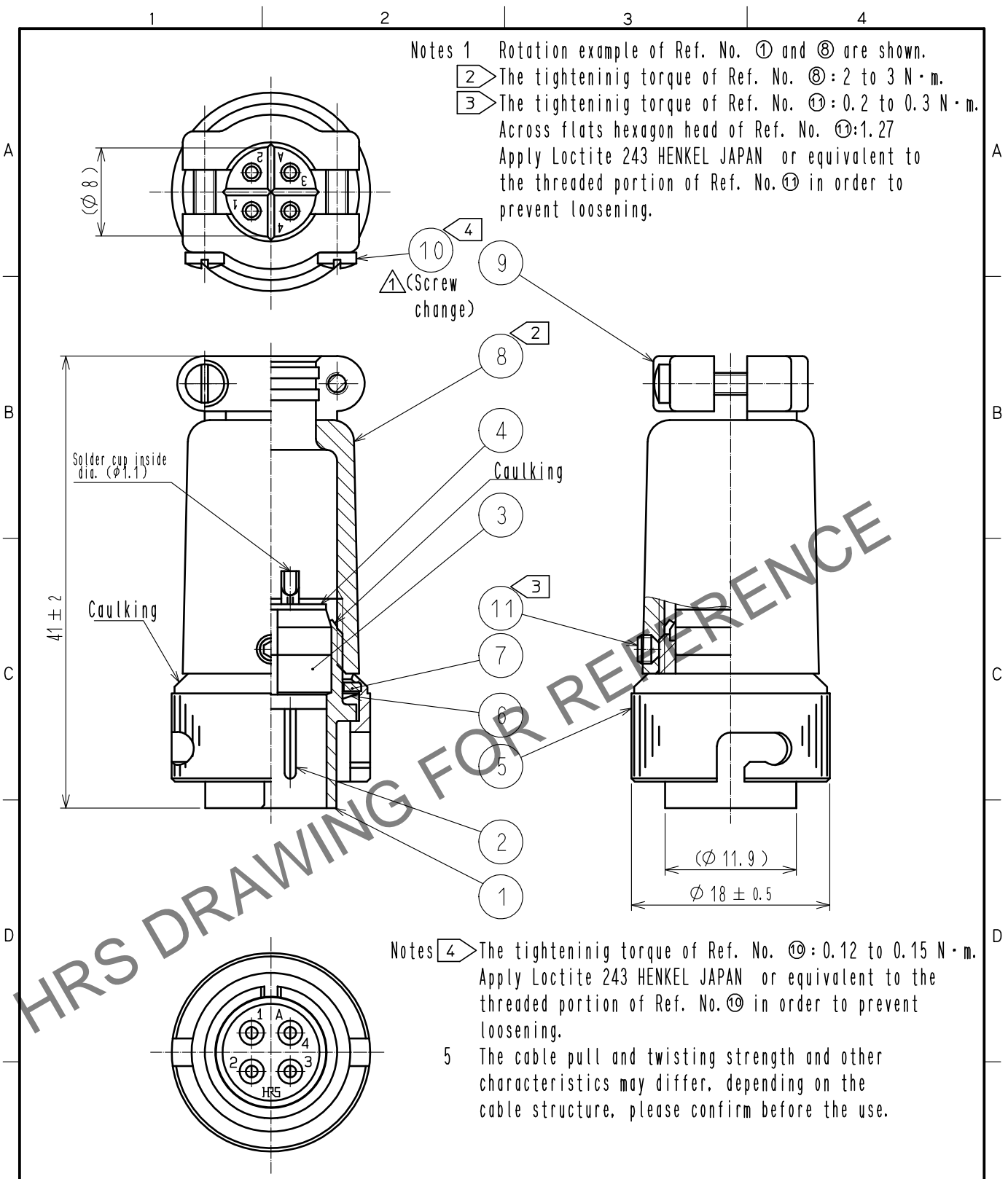


Jun.1.2024 Copyright 2024 HIROSE ELECTRIC CO., LTD. All Rights Reserved.
In case of consideration for using Automotive equipment / device which demand high reliability, kindly contact our sales window correspondents.



HRS DRAWING FOR REFERENCE

⑥	Beryllium copper	Nickel plating					
⑤	Brass	Matte finish nickel plating	11	Steel	Nickel plating Hexagon socket set screws		
4	Polyphenylene sulfide	(Black)	10	Brass	Nickel plating Slotted head screw		
3	Polyphenylene sulfide	(Black)	9	Zinc alloy	Matte finish nickel plating		
2	Copper alloy	Silver plating 2μm min.	8	Zinc alloy	Matte finish nickel plating		
1	Zinc alloy	Matte finish nickel plating	7	Brass	Nickel plating		
NO.	MATERIAL	FINISH .	REMARKS	NO.	MATERIAL	FINISH .	REMARKS

UNITS mm		SCALE 2 : 1	COUNT 2	DESCRIPTION OF REVISIONS DIS-C-00015634	DESIGNED HT. ZENBA	CHECKED HY. KOBAYASHI	DATE 20230620
HRS HIROSE ELECTRIC CO., LTD. APPROVED : TP. KOMATSU 20230419 CHECKED : TP. KOMATSU 20230419 DESIGNED : HT. ZENBA 20230419 DRAWN : KR. SUZUKI 20230419				DRAWING NO. EDC-112321-81-00 PART NO. RM12BPE-4PH(81) CODE NO. CL0109-0419-2-81			

Mouser Electronics

Authorized Distributor

Click to View Pricing, Inventory, Delivery & Lifecycle Information:

[Hirose Electric:](#)

[RM12BPE-4PH\(81\)](#)