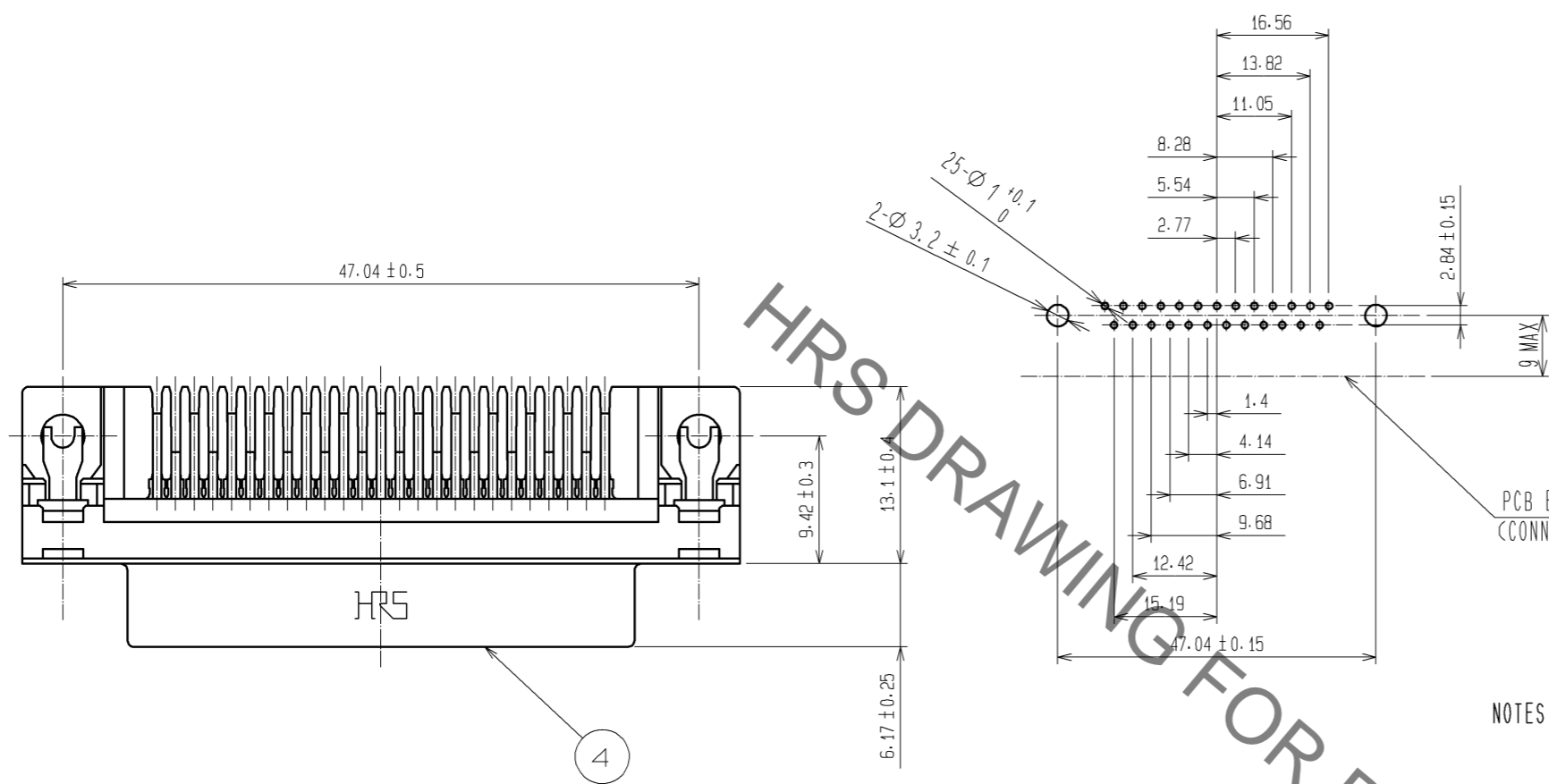


Sep.1.2021 Copyright 2021 HIROSE ELECTRIC CO., LTD. All Rights Reserved.
In case of consideration for using Automotive equipment / device which demand high reliability, kindly contact our sales window correspondents.

RECOMMENDED PC BOARD HOLE PATTERN
(SCALE 1/1)

PANEL CUT OUT DIMENTIONS(REFERENCE)

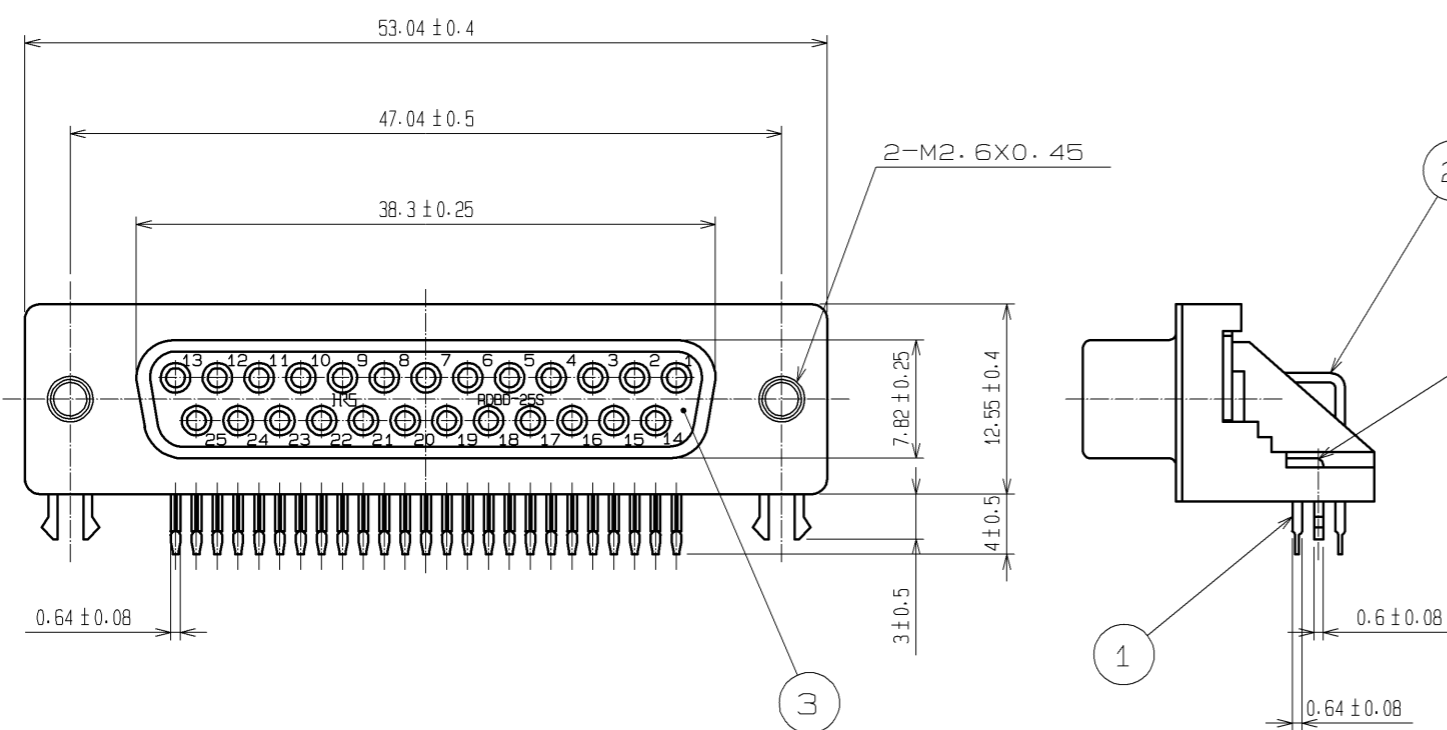


NOTES 1. PLEASE KEEP THE TOLERANCE TO LESS THAN ±0.1FOR THE DIMENTIONS WITHOUT TOLERANCE.

2. THICKNESS OF PC BOARD SHALL BE 1.6mm.

3. REF. NO. ③ AND ④ SHALL BE TEMPORARILY.
REF. NO. ③ AND ⑤ SHALL BE TEMPORARILY.

ATTACH THE PRODUCT TO A PANEL WITH SEPARATELY AVAILABLE LOCK SCREW FOR USE.



PART NUMBER	FEMALE SCREW SIZE	THICKNESS OF APPLICABLE PANEL
RDG-LNA(O1)	M2.6X0.45	1.6~2.0
RDG-LNA-W1(O1)		0.8~1.2
RDG-LNA-W2(O1)		0~0.4
RDG-LNA(4-40)(O1)	No. 4-40UNC	1.6~2.0
RDG-LNA(4-40)-W1(O1)		0.8~1.2
RDG-LNA(4-40)-W2(O1)		0~0.4

NO.	MATERIAL	FINISH . REMARKS	NO.	MATERIAL	FINISH . REMARKS
3	PBT	UL94V-0(BLACK)			
2	PHOSPHOR BRONZE	SELECTIVE GOLD PLATING 0.2μm	5	PHOSPHOR BRONZE	TIN PLATING
1	PHOSPHOR BRONZE	SELECTIVE GOLD PLATING 0.2μm	4	STEEL	NICKEL PLATING

UNITS	SCALE	COUNT	DESCRIPTION OF REVISIONS	DESIGNED	CHECKED	DATE
mm	2 : 1	2	DIS-E-002464	MT. ITANO	KI. NAGANUMA	08.10.07

APPROVED	CHECKED	DESIGNED	DRAWN	DRAWING NO.	PART NO.	CODE NO.
HO. MIWA	YH. ENAMI	TU. TANIGUCHI	TU. TANIGUCHI	EDC3-047708-03	RDBD-25SE1/M2.6(55)	CL211-5197-4-55

Mouser Electronics

Authorized Distributor

Click to View Pricing, Inventory, Delivery & Lifecycle Information:

[Hirose Electric:](#)

[RDBD-25SE1/M2.6\(55\)](#)