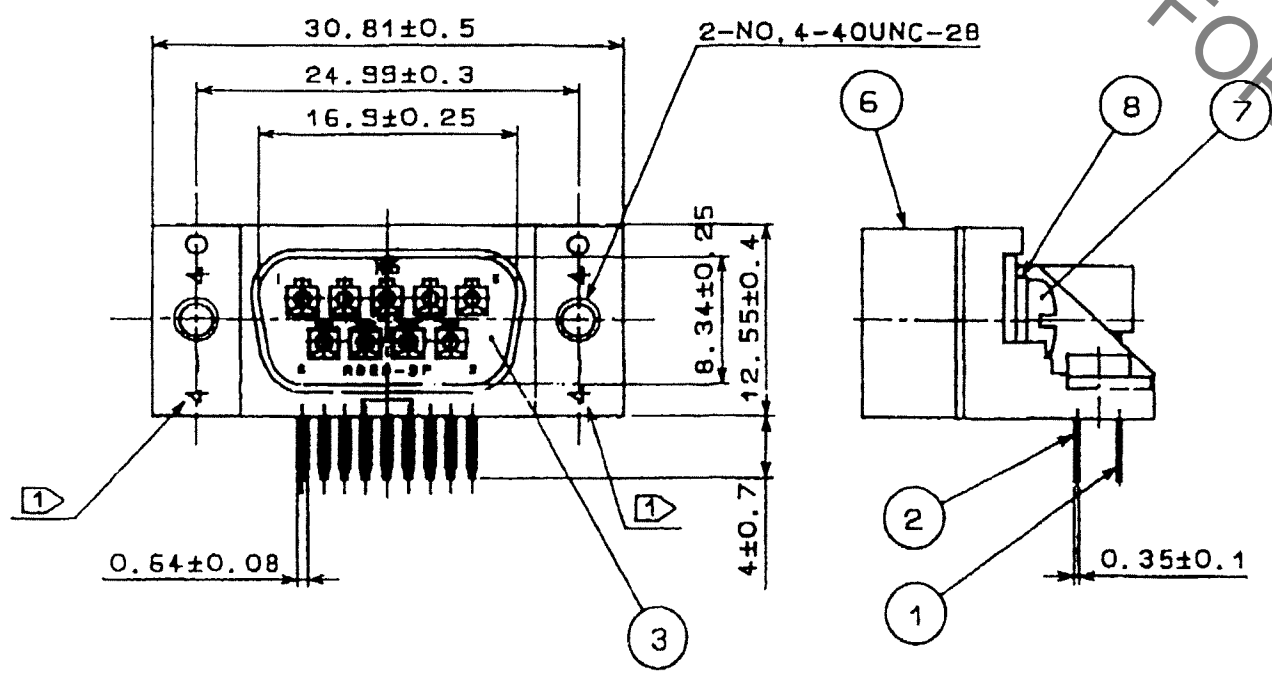
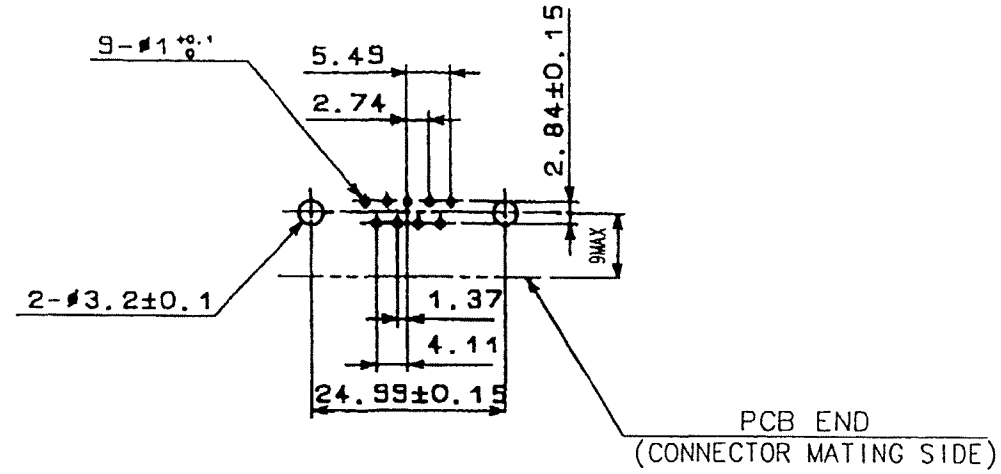
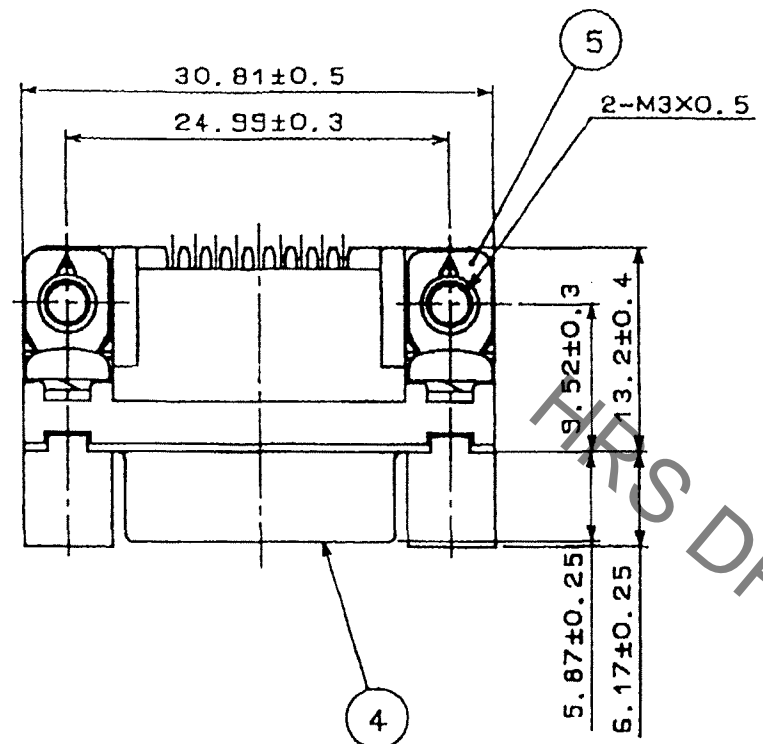


Sep.1.2021 Copyright 2021 HIROSE ELECTRIC CO., LTD. All Rights Reserved.  
In case of consideration for using Automotive equipment / device which demand high reliability, kindly contact our sales window correspondents.

COUNT	DESCRIPTION OF REVISIONS	BY	CHKD	DATE	COUNT	DESCRIPTION OF REVISIONS	BY	CHKD	DATE
1	6	DIS-E-001184	Y.S	Y.E	07.02.22				



NOTE. PLEASE KEEP THE TOLERANCE TO LESS THAN ±0.1 FOR THE DIMENSIONS WITHOUT TOLERANCE.

RECOMMENDED PC BOARD HOLE PATTERN (SCALE 1:1)

NOTE. ① THE LETTER ORIENTATION OPTIONAL.

4	STEEL	NICKEL PLATING 1μm UNDER: COPPER PLATING 5μm	8	STEEL	NICKEL PLATING 3μm
3	PBT	UL94V-0 (BLACK)	7	STEEL	NICKEL PLATING 2μm UNDER: COPPER PLATING 1μm
1~2	PHOSPHOR BRONZE	CONTACT: GOLD PLATING 0.2μm DIP: GOLD PLATING 0.03μm UNDER: NICKEL PLATING 2μm	6	ZINC ALLOY DIE CASTING	NICKEL PLATING 2μm UNDER: COPPER PLATING 1μm
			5	STEEL	NICKEL PLATING 2μm UNDER: COPPER PLATING 1μm

NO.	MATERIAL	FINISH, REMARKS	NO.	MATERIAL	FINISH, REMARKS
CODE NO. (OLD) CL		DRAWN T.KAMEYA 03.07.28		DESIGNED T.KAMEYA 03.07.28	
		CHECKED Y.ENAMI 03.07.29		APPROVED H.MIWA 03.07.30	
		RELEASED .			
DRAWING NO. EDC3-021957-01			PART NO. RDED-9P-LN(4-40)(55)		
SCALE 2 : 1			CODE NO. CL211-0479-9-55		
UNITS mm			HIROSE ELECTRIC CO., LTD		

TO
Q

# Mouser Electronics

Authorized Distributor

Click to View Pricing, Inventory, Delivery & Lifecycle Information:

[Hirose Electric:](#)

[RDED-9P-LN\(4-40\)\(55\)](#)