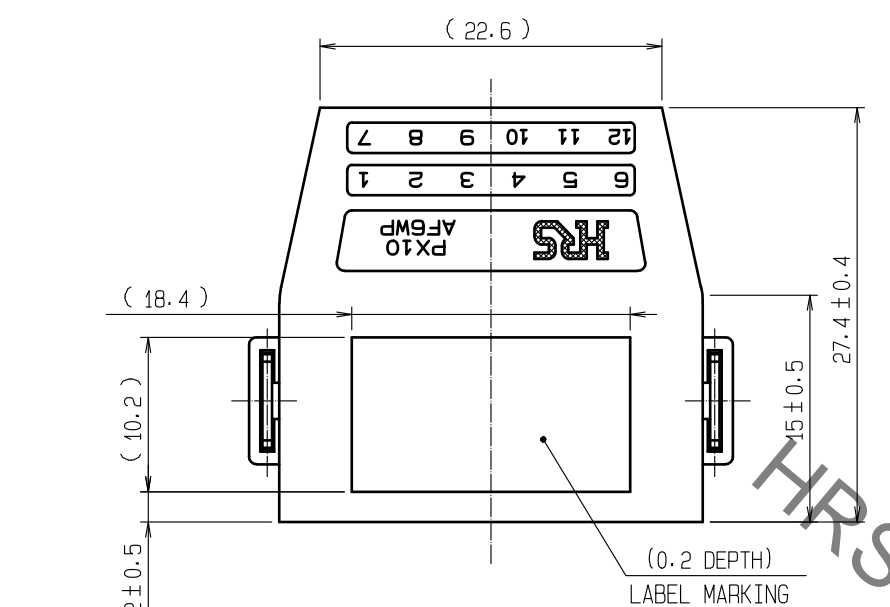
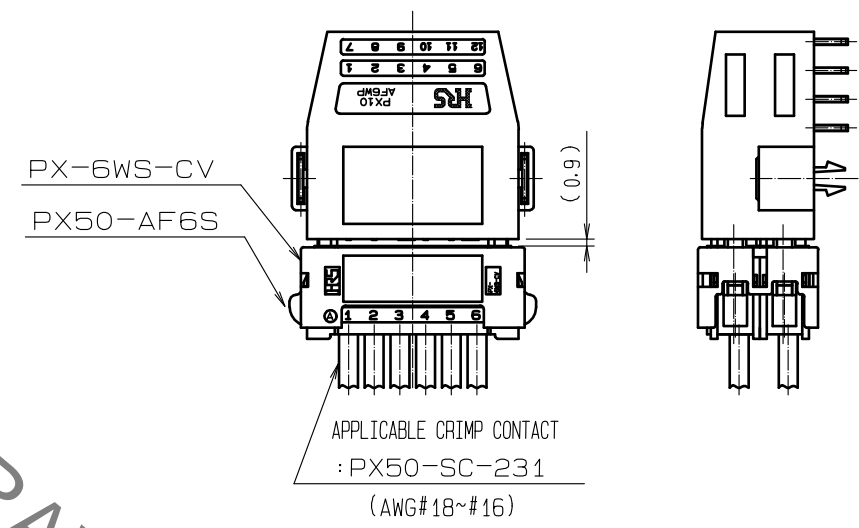


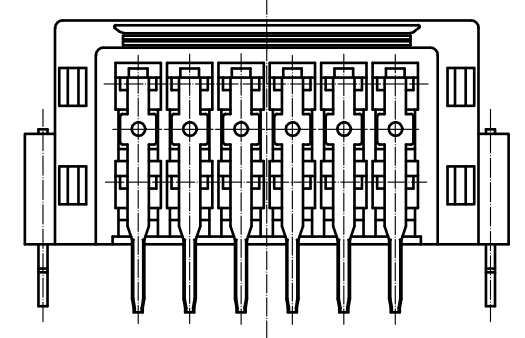
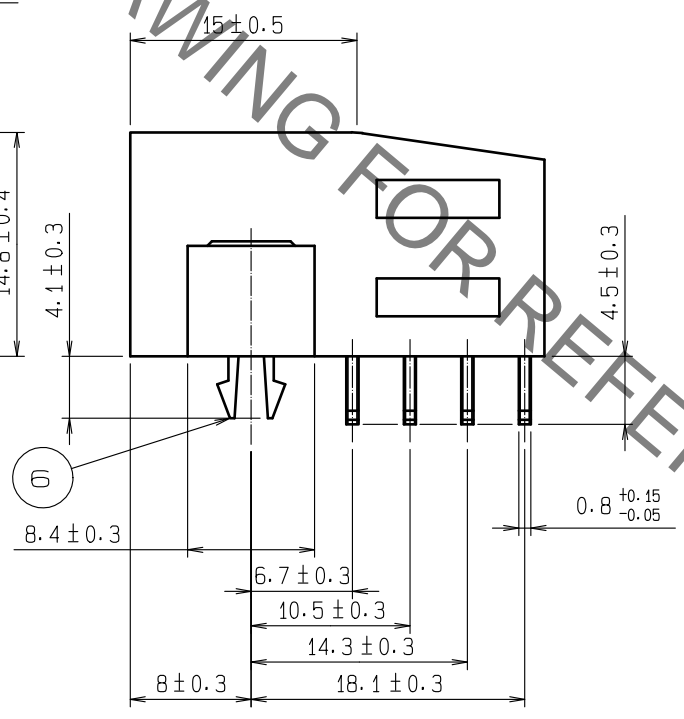
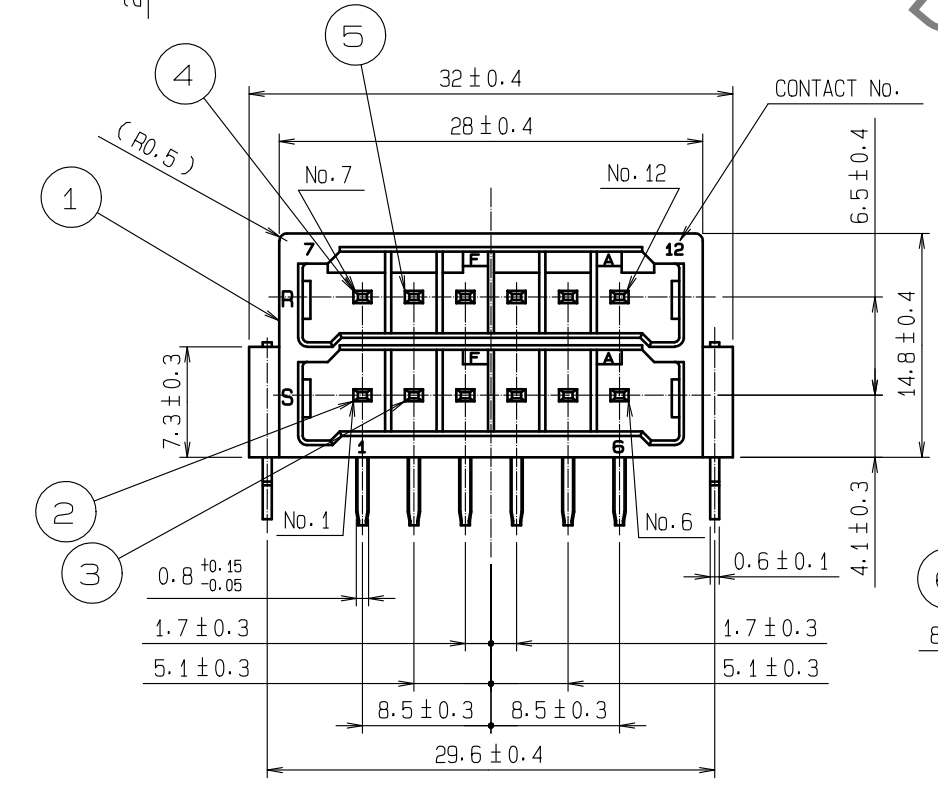
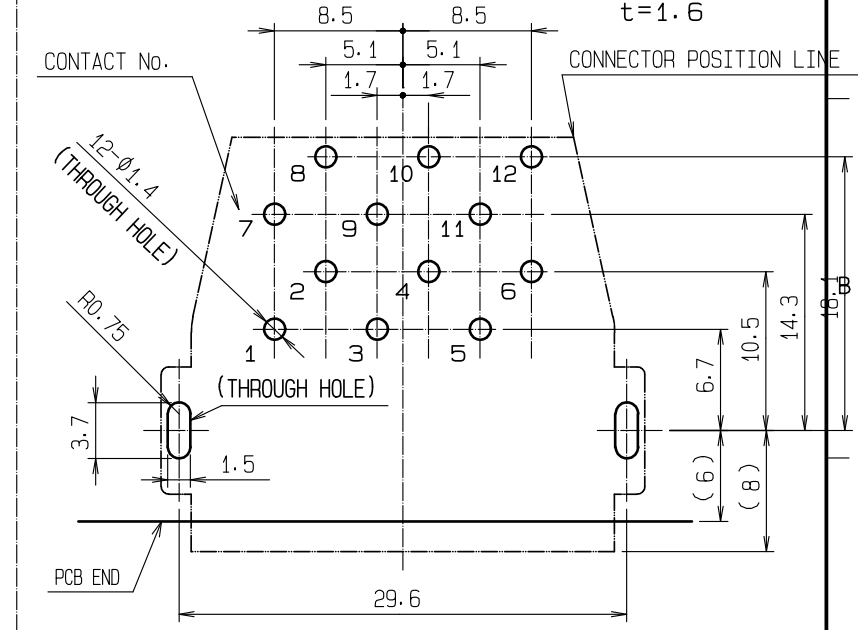
Jun.1.2020 Copyright 2020 HIROSE ELECTRIC CO., LTD. All Rights Reserved.
 In case of consideration for using Automotive equipment / device which demand high reliability, kindly contact our sales window correspondents.



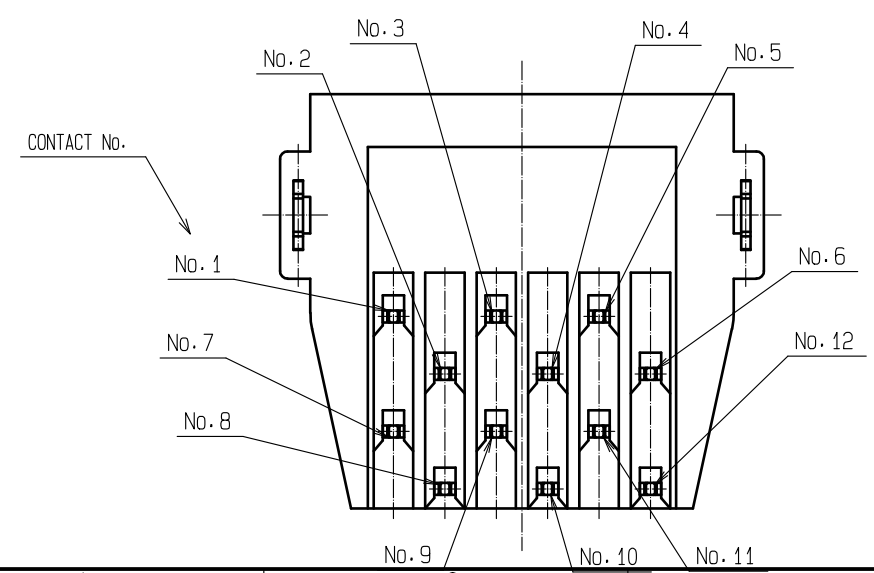
MATED PLUGS(1:1)



RECOMMENDED PCB PATTERN(REFERENCE)



NOTE 1. NOT FOR INTERRUPTING CURRENT.



NO.	MATERIAL	FINISH	REMARKS	NO.	MATERIAL	FINISH	REMARKS
3	COPPER ALLOY	SELECTIVE GOLD PLATING 0.2μm		6	COPPER ALLOY	TIN PLATING	
2	COPPER ALLOY	SELECTIVE GOLD PLATING 0.2μm		5	COPPER ALLOY	SELECTIVE GOLD PLATING 0.2μm	
1	PBT	(BLACK) UL94V-0		4	COPPER ALLOY	SELECTIVE GOLD PLATING 0.2μm	

UNITS	SCALE	COUNT	DESCRIPTION OF REVISIONS	DESIGNED	CHECKED	DATE
mm	2:1	△				

APPROVED	DATE	DRAWING NO.
NM. NISHIMATSU	15.10.27	EDC-121226-30-00
CHECKED : KN. ICHIKAWA	15.10.27	PART NO. PX10-AF6WP(30)
DESIGNED : TS. ITO	15.10.27	CODE NO. CL236-0001-0-30
DRAWN : AK. AKIYAMA	15.10.27	

Mouser Electronics

Authorized Distributor

Click to View Pricing, Inventory, Delivery & Lifecycle Information:

[Hirose Electric:](#)

[PX10-AF6WP\(30\)](#)