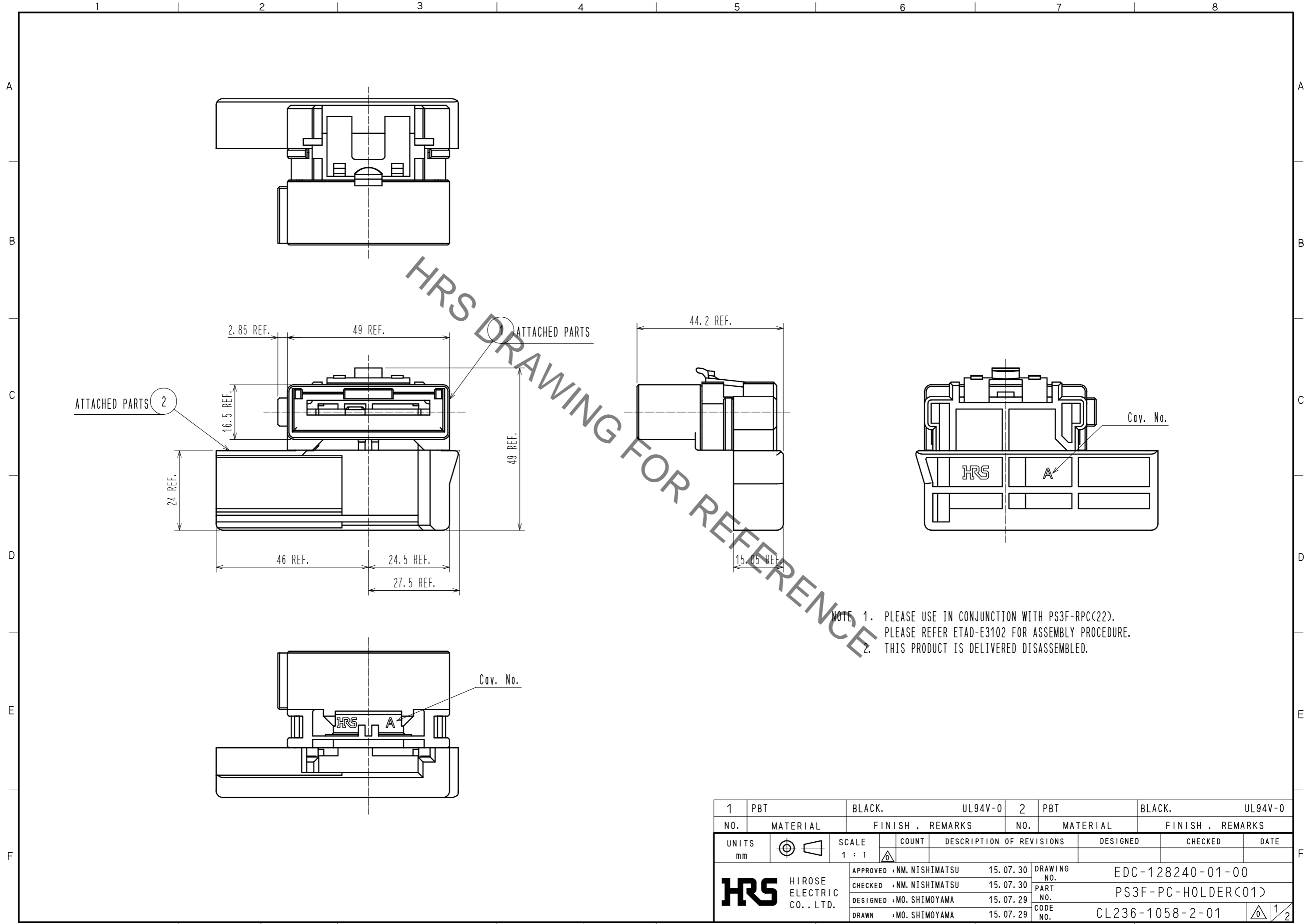


Sep.1.2021 Copyright 2021 HIROSE ELECTRIC CO., LTD. All Rights Reserved.
 In case of consideration for using Automotive equipment / device which demand high reliability, kindly contact our sales window correspondents.

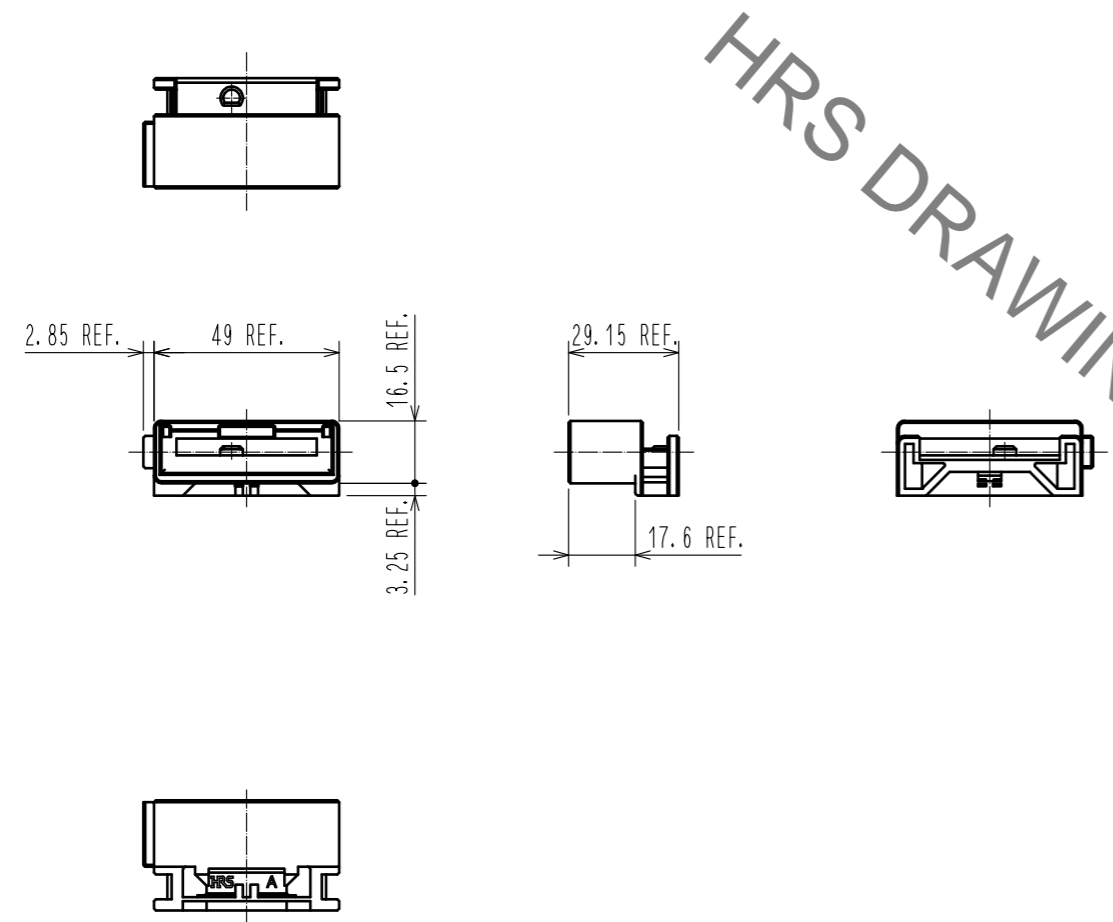


NOTE 1. PLEASE USE IN CONJUNCTION WITH PS3F-RPC(22).
 PLEASE REFER ETAD-E3102 FOR ASSEMBLY PROCEDURE.
 NOTE 2. THIS PRODUCT IS DELIVERED DISASSEMBLED.

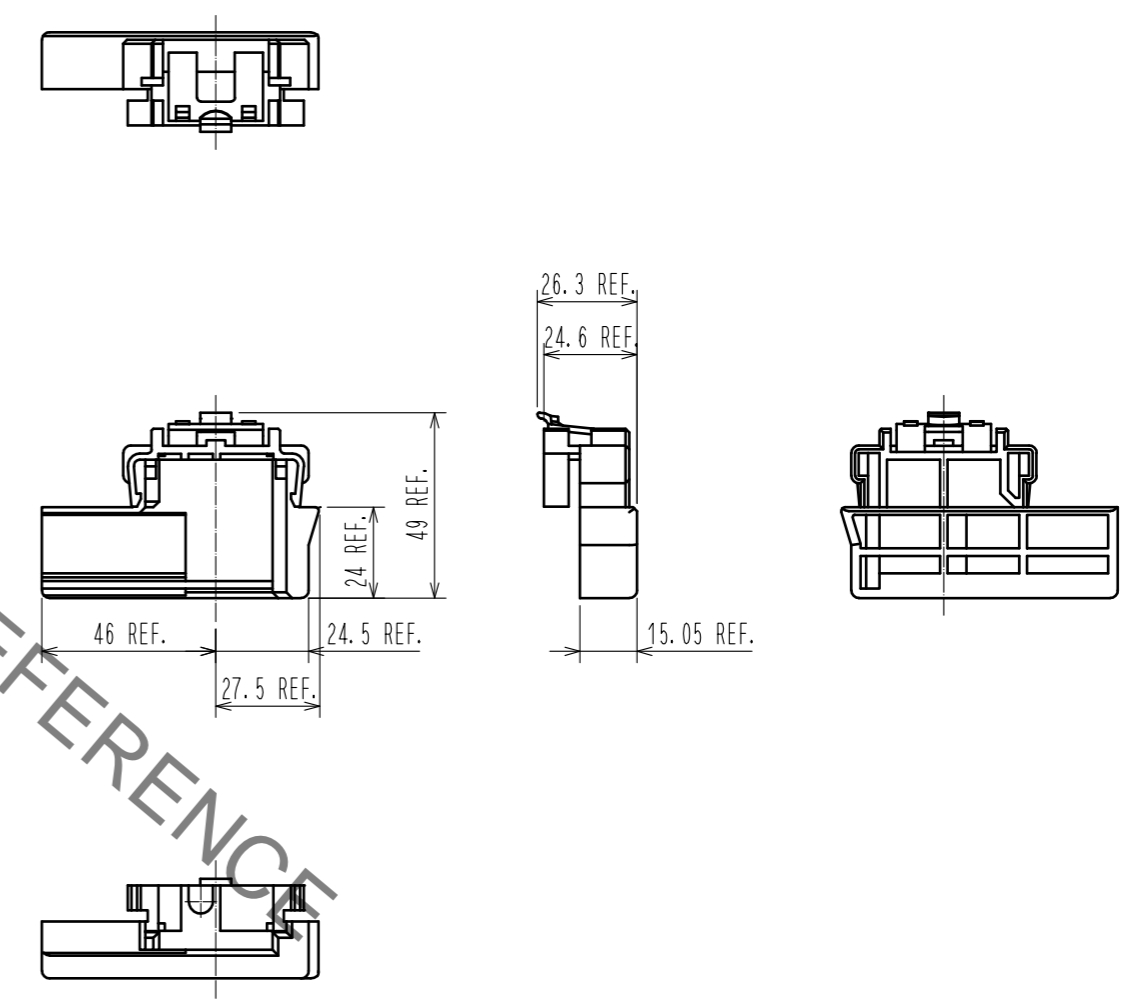
1	PBT	BLACK.	UL94V-0	2	PBT	BLACK.	UL94V-0	
NO.	MATERIAL	FINISH .	REMARKS	NO.	MATERIAL	FINISH .	REMARKS	
UNITS mm		SCALE 1 : 1	COUNT 	DESCRIPTION OF REVISIONS		DESIGNED	CHECKED	DATE
HIROSE ELECTRIC CO., LTD.		APPROVED : NM. NISHIMATSU	15.07.30	DRAWING NO.		EDC-128240-01-00		
		CHECKED : NM. NISHIMATSU	15.07.30	PART NO.		PS3F-PC-HOLDER(C01)		
		DESIGNED : MO. SHIMOYAMA	15.07.29	CODE NO.		CL236-1058-2-01		
		DRAWN : MO. SHIMOYAMA	15.07.29			1/2		

Sep.1.2021 Copyright 2021 HIROSE ELECTRIC CO., LTD. All Rights Reserved.
In case of consideration for using Automotive equipment / device which demand high reliability, kindly contact our sales window correspondents.

DEMENSION OF REF. NO. ① HOLDER-A (1:2)



DEMENSION OF REF. NO. ② HOLDER-B (1:2)



HRS DRAWING FOR REFERENCE

HRS	DRAWING NO.	EDC-128240-01-00
	PART NO.	PS3F-PC-HOLDER(01)
	CODE NO.	CL236-1058-2-01

2/2

Mouser Electronics

Authorized Distributor

Click to View Pricing, Inventory, Delivery & Lifecycle Information:

[Hirose Electric:](#)

[PS3F-PC-HOLDER\(01\)](#)