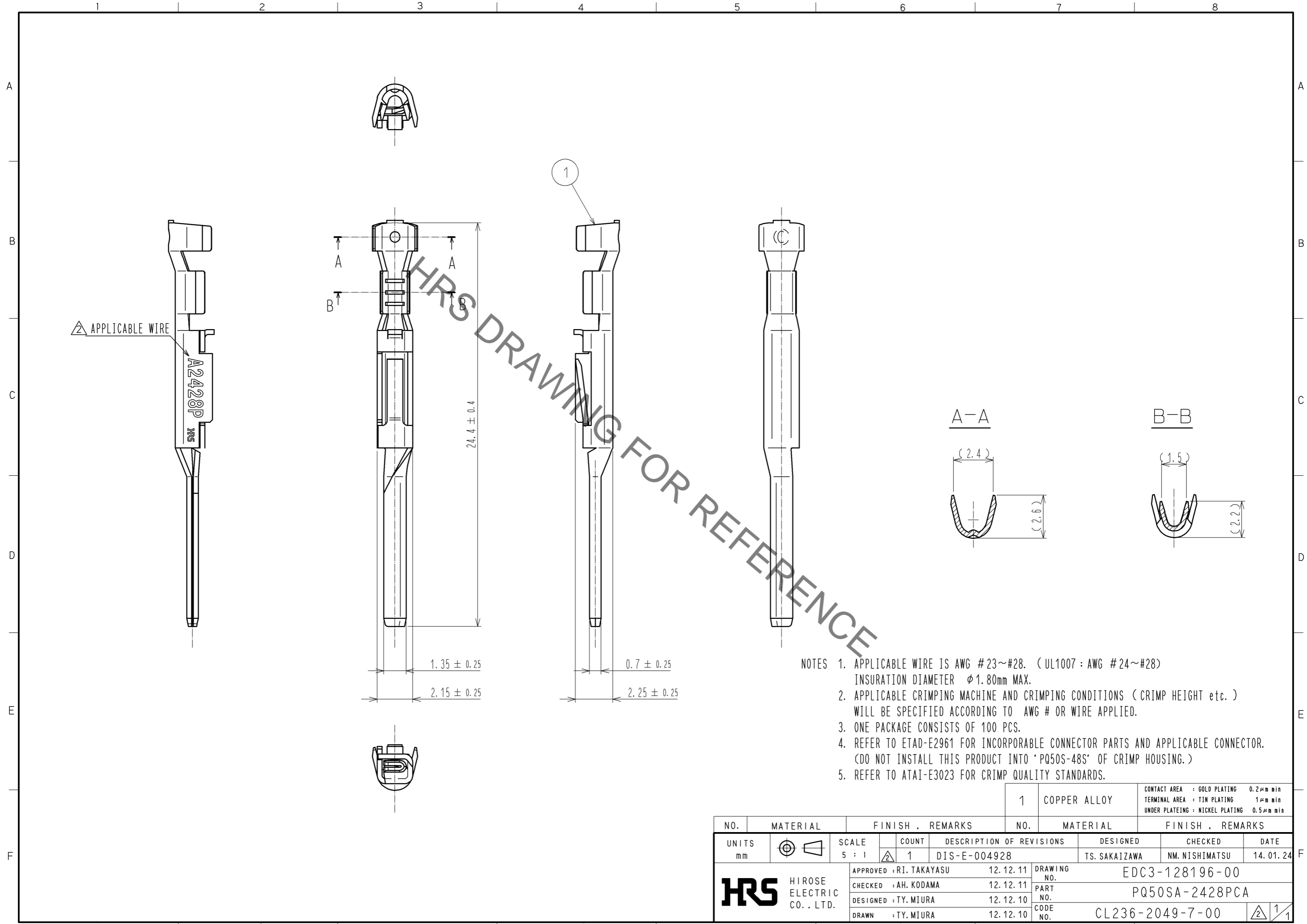


Sep.1.2021 Copyright 2021 HIROSE ELECTRIC CO., LTD. All Rights Reserved.
In case of consideration for using Automotive equipment / device which demand high reliability, kindly contact our sales window correspondents.



HRS DRAWING FOR REFERENCE

- NOTES
1. APPLICABLE WIRE IS AWG #23~#28. (UL1007 : AWG #24~#28)
INSURATION DIAMETER φ1.80mm MAX.
 2. APPLICABLE CRIMPING MACHINE AND CRIMPING CONDITIONS (CRIMP HEIGHT etc.)
WILL BE SPECIFIED ACCORDING TO AWG # OR WIRE APPLIED.
 3. ONE PACKAGE CONSISTS OF 100 PCS.
 4. REFER TO ETAD-E2961 FOR INCORPORABLE CONNECTOR PARTS AND APPLICABLE CONNECTOR.
(DO NOT INSTALL THIS PRODUCT INTO 'PQ50S-48S' OF CRIMP HOUSING.)
 5. REFER TO ATAI-E3023 FOR CRIMP QUALITY STANDARDS.

NO.	MATERIAL	FINISH . REMARKS	NO.	MATERIAL	FINISH . REMARKS		
			1	COPPER ALLOY	CONTACT AREA : GOLD PLATING 0.2μm min TERMINAL AREA : TIN PLATING 1μm min UNDER PLATING : NICKEL PLATING 0.5μm min		
UNITS mm		SCALE 5 : 1	COUNT 1	DESCRIPTION OF REVISIONS DIS-E-004928	DESIGNED TS. SAKAIZAWA	CHECKED NM. NISHIMATSU	DATE 14.01.24
HRS HIROSE ELECTRIC CO., LTD.		APPROVED : RI. TAKAYASU	12.12.11	DRAWING NO. EDC3-128196-00			
		CHECKED : AH. KODAMA	12.12.11	PART NO. PQ50SA-2428PCA			
		DESIGNED : TY. MIURA	12.12.10	CODE NO. CL236-2049-7-00			
		DRAWN : TY. MIURA	12.12.10	1/1			

Mouser Electronics

Authorized Distributor

Click to View Pricing, Inventory, Delivery & Lifecycle Information:

[Hirose Electric:](#)

[PQ50SA-2428PCA](#)