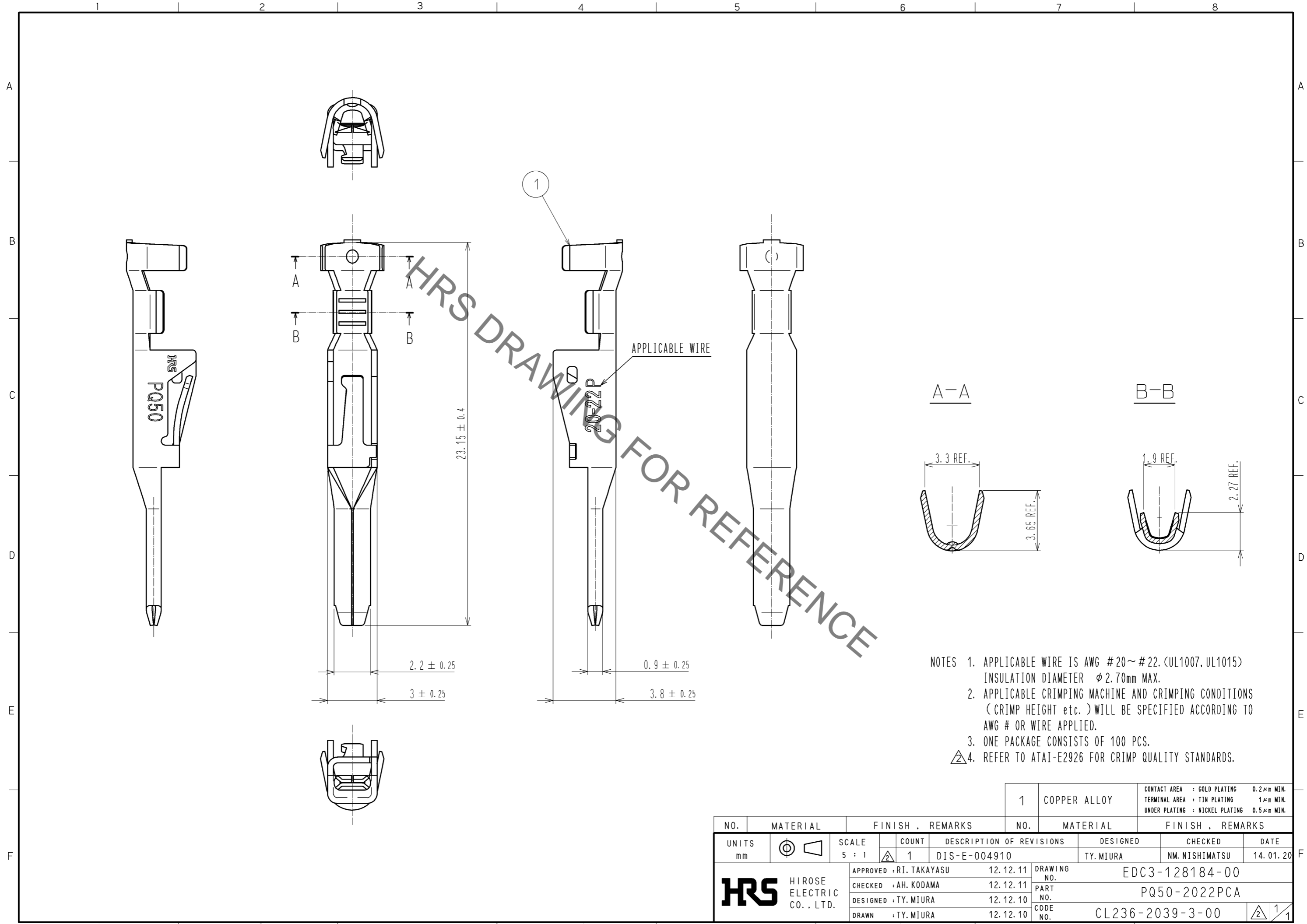


Sep.1.2021 Copyright 2021 HIROSE ELECTRIC CO., LTD. All Rights Reserved.  
In case of consideration for using Automotive equipment / device which demand high reliability, kindly contact our sales window correspondents.



- NOTES
1. APPLICABLE WIRE IS AWG #20~#22. (UL1007, UL1015) INSULATION DIAMETER  $\phi 2.70$ mm MAX.
  2. APPLICABLE CRIMPING MACHINE AND CRIMPING CONDITIONS (CRIMP HEIGHT etc.) WILL BE SPECIFIED ACCORDING TO AWG # OR WIRE APPLIED.
  3. ONE PACKAGE CONSISTS OF 100 PCS.
  4. REFER TO ATAI-E2926 FOR CRIMP QUALITY STANDARDS.

NO. 1		MATERIAL COPPER ALLOY		FINISH . REMARKS CONTACT AREA : GOLD PLATING 0.2 $\mu$ m MIN. TERMINAL AREA : TIN PLATING 1 $\mu$ m MIN. UNDER PLATING : NICKEL PLATING 0.5 $\mu$ m MIN.			
UNITS mm		SCALE 5 : 1	COUNT 1	DESCRIPTION OF REVISIONS DIS-E-004910	DESIGNED TY. MIURA	CHECKED NM. NISHIMATSU	DATE 14. 01. 20
<b>HRS</b> HIROSE ELECTRIC CO., LTD.		APPROVED : RI. TAKAYASU	12. 12. 11	DRAWING NO. EDC3-128184-00			
		CHECKED : AH. KODAMA	12. 12. 11	PART NO. PQ50-2022PCA			
		DESIGNED : TY. MIURA	12. 12. 10	CODE NO. CL236-2039-3-00			
		DRAWN : TY. MIURA	12. 12. 10			1/1	

# Mouser Electronics

Authorized Distributor

Click to View Pricing, Inventory, Delivery & Lifecycle Information:

[Hirose Electric:](#)

[PQ50-2022PCA](#)