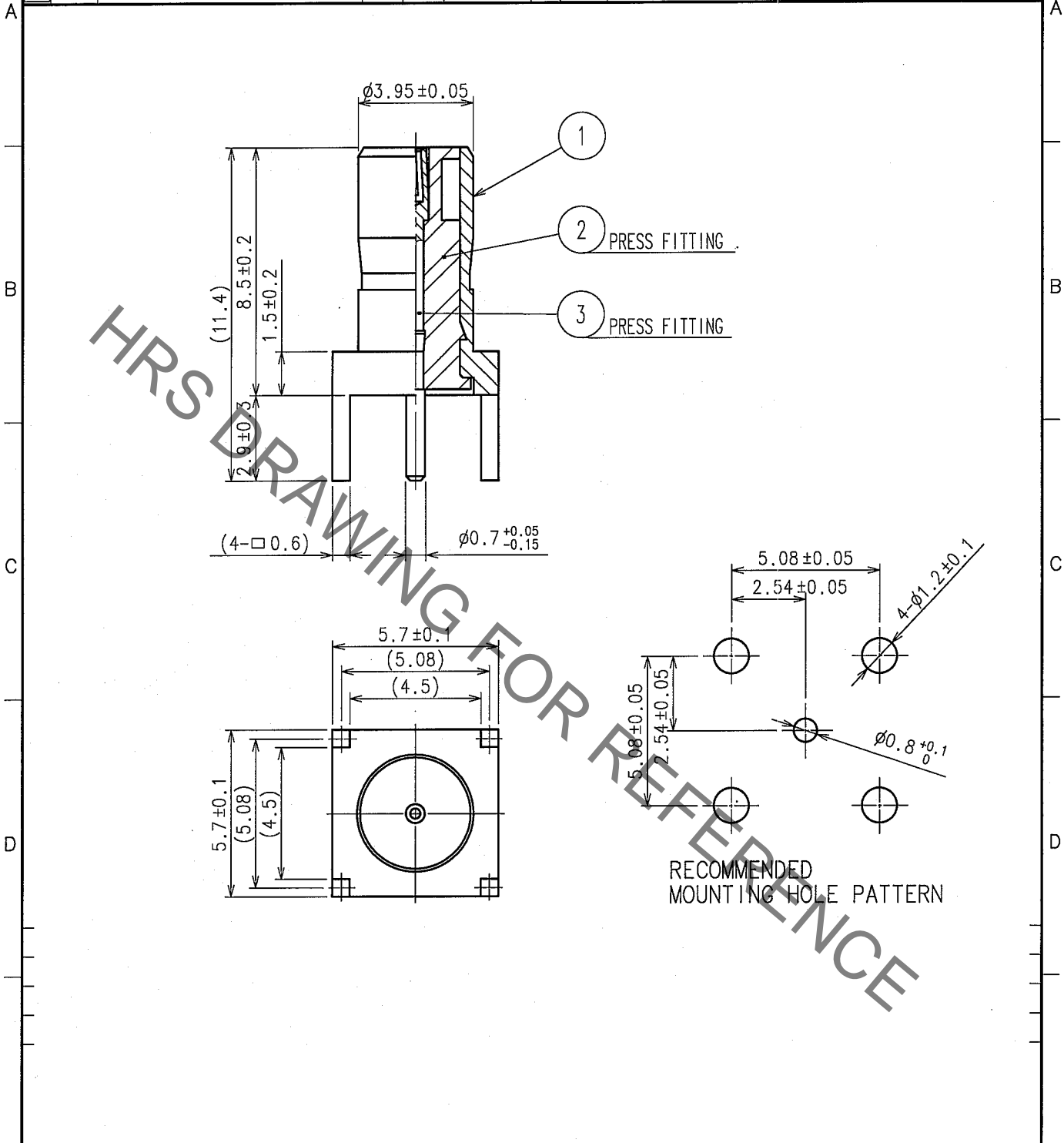


Sep.1.2021 Copyright 2021 HIROSE ELECTRIC CO., LTD. All Rights Reserved.
In case of consideration for using Automotive equipment / device which demand high reliability, kindly contact our sales window correspondents.

1	2	3	4						
COUNT	DESCRIPTION OF REVISIONS	BY	CHKD	DATE	COUNT	DESCRIPTION OF REVISIONS	BY	CHKD	DATE
△					△				
△					△				
△					△				



2	PTFE				
1	BRASS	NICKEL PLATED	3	BERYLLIUM COPPER	GOLD PLATED
NO.	MATERIAL	FINISH, REMARKS	NO.	MATERIAL	FINISH, REMARKS

CODE NO. (OLD) CL399-3402-8		DRAWN <i>T. Sawai</i> 05.10.20	DESIGNED <i>N. Ninomiya</i> 05.10.20	CHECKED <i>K. Shimizu</i> 05.11.07	APPROVED <i>I. Mitani</i> 05.11.07	RELEASED
RoHS COMPLIANT						

 SCALE 5 : 1 UNITS mm	DRAWING NO. EDC4-029382-40	PART NO. PL71-R-PC (40)
	 HIROSE ELECTRIC CO., LTD.	CODE NO. CL334-0011-9-40
		1/1

TO
RF

Mouser Electronics

Authorized Distributor

Click to View Pricing, Inventory, Delivery & Lifecycle Information:

[Hirose Electric:](#)

[PL71-R-PC\(40\)](#)