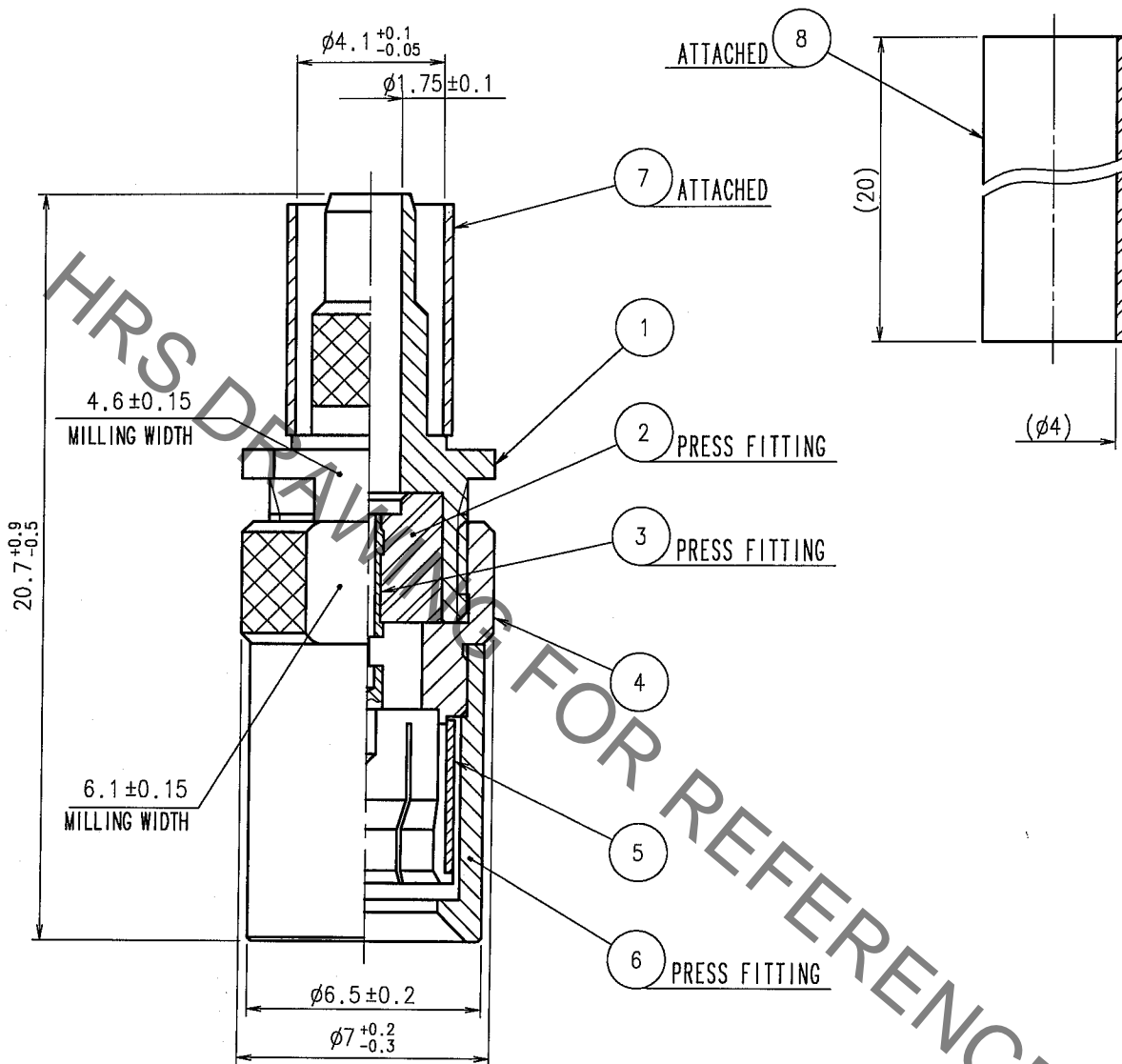


Sep.1.2021 Copyright 2021 HIROSE ELECTRIC CO., LTD. All Rights Reserved.
 In case of consideration for using Automotive equipment / device which demand high reliability, kindly contact our sales window correspondents.

1		2			3			4		
COUNT	DESCRIPTION OF REVISIONS	BY	CHKD	DATE	COUNT	DESCRIPTION OF REVISIONS	BY	CHKD	DATE	
△				.	△				.	
△				.	△				.	
△				.	△				.	

ASSEMBLY TOOL
OUT. CONDUCTOR CRIMP : PO-P-2-T



4	BRASS	NICKEL PLATED	8	POLYOLEFINE	HEAT SHRINK TUBING
3	BRASS	GOLD PLATED	7	COPPER	NICKEL PLATED
2	PTFE		6	BRASS	NICKEL PLATED
1	BRASS	NICKEL PLATED	5	BERYLLIUM COPPER	NICKEL PLATED
NO.	MATERIAL	FINISH, REMARKS	NO.	MATERIAL	FINISH, REMARKS

CODE NO. (OLD)		DRAWN	DESIGNED	CHECKED	APPROVED	RELEASED
RoHS COMPLIANT		R.KIMURA	R.KIMURA	M. Yamane	J. Mitani	
		05.08.08	05.08.08	05.08.09	05.08.09	

 SCALE 5 : 1 UNITS mm	DRAWING NO.	PART NO.
	EDC4-029386-40	PL71-P-1.5CW(40)
 HIROSE ELECTRIC CO., LTD.	CODE NO.	1/1
	CL334-0001-5-40	

Mouser Electronics

Authorized Distributor

Click to View Pricing, Inventory, Delivery & Lifecycle Information:

[Hirose Electric:](#)

[PL71-P-1.5CW\(40\)](#)