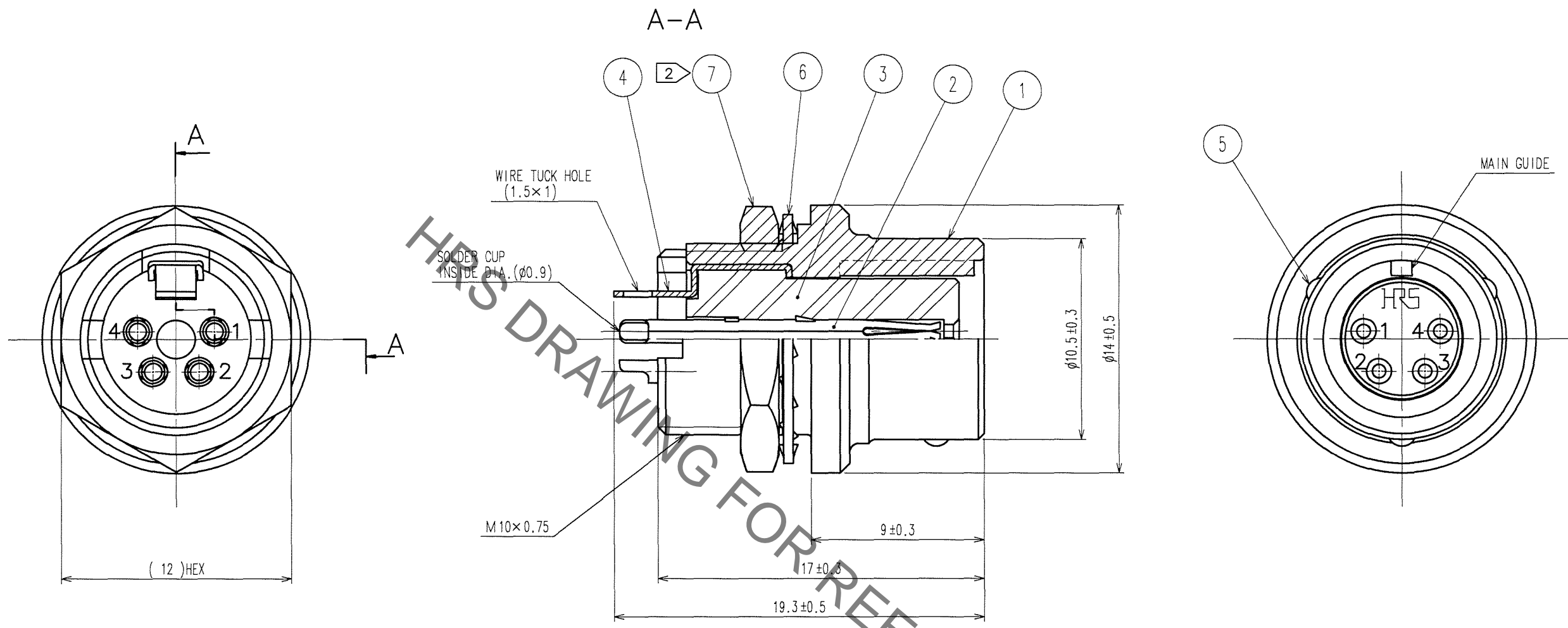


Sep.1.2021 Copyright 2021 HIROSE ELECTRIC CO., LTD. All Rights Reserved.  
In case of consideration for using Automotive equipment / device which demand high reliability, kindly contact our sales window correspondents.

COUNT	DESCRIPTION OF REVISIONS	BY	CHKD	DATE	COUNT	DESCRIPTION OF REVISIONS	BY	CHKD	DATE
1	DIS-C-000585	T.K	E.K	07.07.27					



NOTES ① SURFACE PLATING : GOLD PLATING 0.2μ m min.  
UNDER PLATING : NICKEL PLATING 2μ m min.  
② THE RECOMMENDED CLAMP TORQUE OF REF.NO.⑦: 2 N·m.  
LOCTITE 271, HENKEL JAPAN IS RECOMMENDED TO REF.NO.⑦ FROM LOOSENING.

4	PHOSPHOR BRONZE	TIN PLATING			
3	PBT	(BLACK) UL94V-0	7	BRASS	NICKLE PLATING
2	PHOSPHOR BRONZE	①	6	PHOSPHOR BRONZE	NICKLE PLATING
1	ALUMINUM ALLOY	NICKEL PLATING	5	STAINLESS STEEL	
NO.	MATERIAL	FINISH, REMARKS	NO.	MATERIAL	FINISH, REMARKS

CODE NO. (OLD)		DRAWN	DESIGNED	CHECKED	APPROVED	RELEASED
		E.KUNII	E.KUNII		M.SATO	
		'05 09 08	'05 09 08		'05 09 08	

 SCALE 4 : 1 UNITS mm	DRAWING NO. EDC3-110274-71 <b>HRS</b> HIROSE ELECTRIC CO., LTD	PART NO. MXR-8RA-4S(71) CODE NO. CL127-0122-5-71	1/1
-----------------------------------	--	---	-----

TO
R

# Mouser Electronics

Authorized Distributor

Click to View Pricing, Inventory, Delivery & Lifecycle Information:

[Hirose Electric:](#)

[MXR-8RA-4S\(71\)](#)