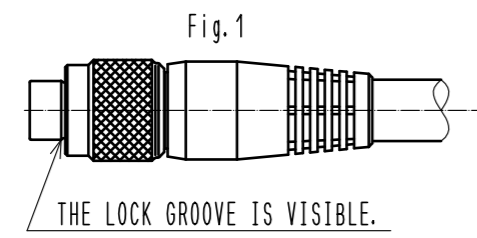
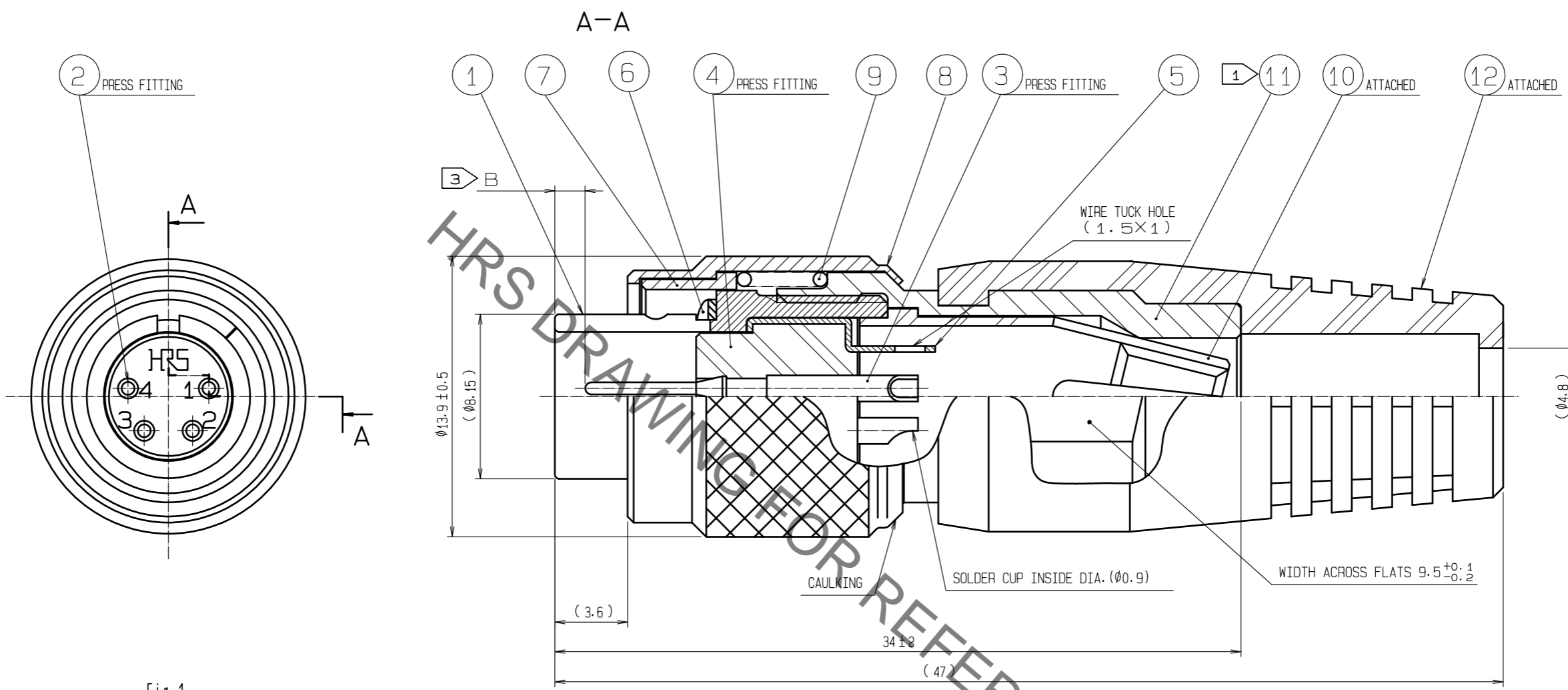


Sep.1.2021 Copyright 2021 HIROSE ELECTRIC CO., LTD. All Rights Reserved.
In case of consideration for using Automotive equipment / device which demand high reliability, kindly contact our sales window correspondents.



- NOTES
- ① THE RECOMMENDED CLAMP TORQUE OF REF.NO.⑪ : 1 N·m.
LOCTITE 263,HENKEL JAPAN IS RECOMMENDED TO REF.NO.⑪ FROM LOOSENING.
 - ② ROTATION EXAMPLES OF REF.NO.① AND ⑪ ARE SHOWN.
 - ③ B DIMENSION IS FOLLOWING. CONTACT NO.1 : (1.5)
CONTACT NO.2 TO 4 : (3)
 - ④ SURFACE PLATING : GOLD PLATING 0.2µm min.
UNDER PLATING : NICKEL PLATING 3µm min.
 - ⚠ 5 Fig.1 REPRESENTS THE PRODUCT APPEARANCE AFTER IMPROPER ASSEMBLY.
IF THE LOCK GROOVE IS VISIBLE, NO① AND NO⑪ MAY NOT BE ASSEMBLED CORRECTLY.

NO.	MATERIAL	FINISH . REMARKS	NO.	MATERIAL	FINISH . REMARKS
6	BERYLLIUM COPPER	NICKEL PLATING	12	SIR	(BLACK)
5	PHOSPHOR BRONZE	TIN PLATING	11	BRASS	NICKEL PLATING
4	PBT	(BLACK) UL94V-0	10	POLYACETAL	
3	BRASS	④	9	STEEL	NICKLE PLATING
2	BRASS	④	8	BRASS	MATTE FINISH NICKEL PLATING
1	ALUMINUM ALLOY	NICKEL PLATING	7	STAINLESS STEEL	

UNITS	SCALE	COUNT	DESCRIPTION OF REVISIONS	DESIGNED	CHECKED	DATE
mm	4 : 1	1	DIS-C-00005509	KN. IKEHARA	HS. KAWASHIMA	20210325

APPROVED	CHECKED	DESIGNED	DRAWN	DRAWING NO.	PART NO.	CODE NO.
MR. YOSHIDA	MO. SATOH	YH. YAMADA	YH. YAMADA	EDC3-110275-71	MXR-8PA-4PB(71)	CL0127-0004-9-71
20050105	20050105	20050105	20050105			

Mouser Electronics

Authorized Distributor

Click to View Pricing, Inventory, Delivery & Lifecycle Information:

[Hirose Electric:](#)

[MXR-8PA-4PB\(71\)](#)