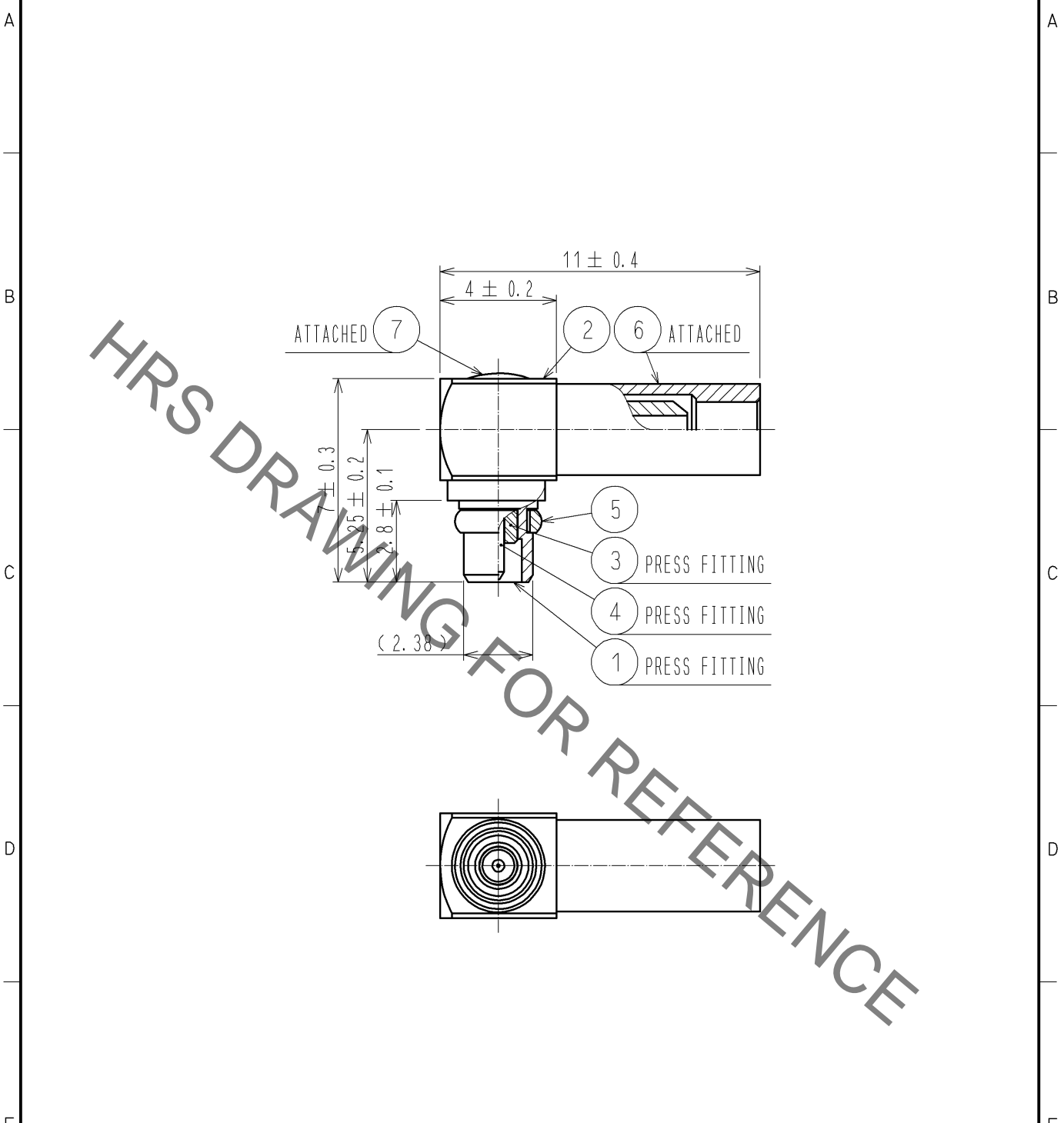


Sep.1.2021 Copyright 2021 HIROSE ELECTRIC CO., LTD. All Rights Reserved.
In case of consideration for using Automotive equipment / device which demand high reliability, kindly contact our sales window correspondents.

ASSEMBLE TOOL APPLICABLE OUTER CONDUCTOR CRIMPING TOOL : HT103/MRF01-J-178
TOOL FOR PRESS FITTING OF DISK : MMCX-LP/PR-MP



HRS DRAWING FOR REFERENCE

RoHS COMPLIANT

4	PHOSPHOR BRONZE	GOLD PLATING					
3	PTFE		7	BRASS	GOLD PLATING		
2	BRASS	GOLD PLATING	6	COPPER	GOLD PLATING		
1	BRASS	GOLD PLATING	5	BERYLLIUM COPPER	GOLD PLATING		
NO.	MATERIAL	FINISH .	REMARKS	NO.	MATERIAL	FINISH .	REMARKS

UNITS mm		SCALE 5 : 1	COUNT 	DESCRIPTION OF REVISIONS	DESIGNED	CHECKED	DATE
-------------	--	----------------	-----------	--------------------------	----------	---------	------

HRS HIROSE ELECTRIC CO., LTD.	APPROVED : MH. YAMANE	10. 10. 27	DRAWING NO.	EDC4-303198-40
	CHECKED : TS. NOBE	10. 10. 27	PART NO.	MMCX-LP-088(40)
	DESIGNED : NK. OOSAWA	10. 10. 26	CODE NO.	CL339-0020-1-40
	DRAWN : NK. OOSAWA	10. 10. 26		1/1

Mouser Electronics

Authorized Distributor

Click to View Pricing, Inventory, Delivery & Lifecycle Information:

[Hirose Electric:](#)

[MMCX-LP-088\(40\)](#)