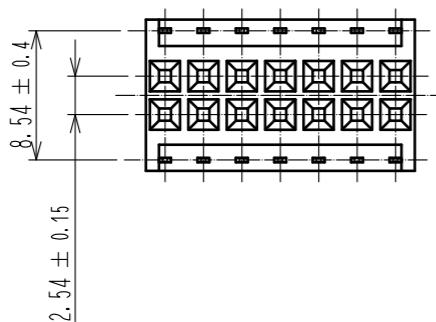
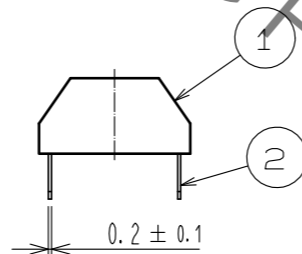
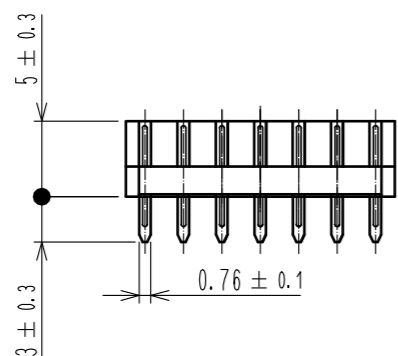
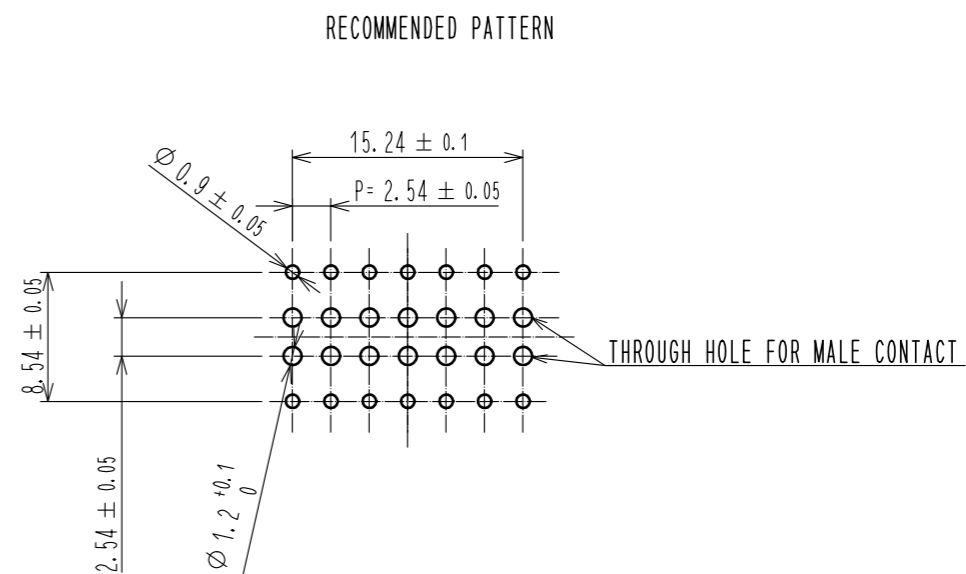
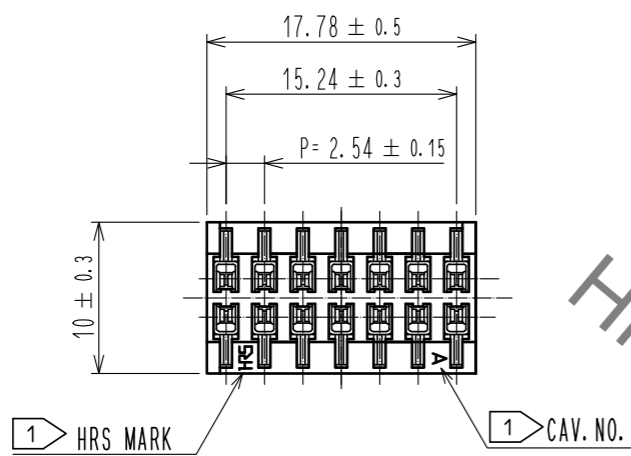


Sep.1.2021 Copyright 2021 HIROSE ELECTRIC CO., LTD. All Rights Reserved.
In case of consideration for using Automotive equipment / device which demand high reliability, kindly contact our sales window correspondents.



1 INDICATION OF CAV. NO. AND HRS MARK CAN BE ROTATED BY 180°

1	POLYAMIDE	UL94V-0, BLACK	2	PHOSPHOR BRONZE	CONTACT AREA: GOLD PLATED 0.2 μm min LEAD AREA: TIN PLATED 1 μm min UNDER PLATING: NICKEL 1 μm min		
NO.	MATERIAL	FINISH, REMARKS	NO.	MATERIAL	FINISH, REMARKS		
UNITS mm		SCALE 2 : 1		DESCRIPTION OF REVISIONS	DESIGNED	CHECKED	DATE
HRS HIROSE ELECTRIC CO., LTD.		APPROVED : MO. ISHIDA	17.02.10	DRAWING NO. EDC-083749-96-00			
		CHECKED : TS. MIYAZAKI	17.02.10	PART NO. MDF7-14D-2.54DSA(96)			
		DESIGNED : NY. YAMASHIRO	17.02.10	CODE NO. CL547-0354-8-96			
		DRAWN : SN. NUMAZAKI	17.02.10			1/1	

Mouser Electronics

Authorized Distributor

Click to View Pricing, Inventory, Delivery & Lifecycle Information:

[Hirose Electric:](#)

[MDF7-14D-2.54DSA\(96\)](#)