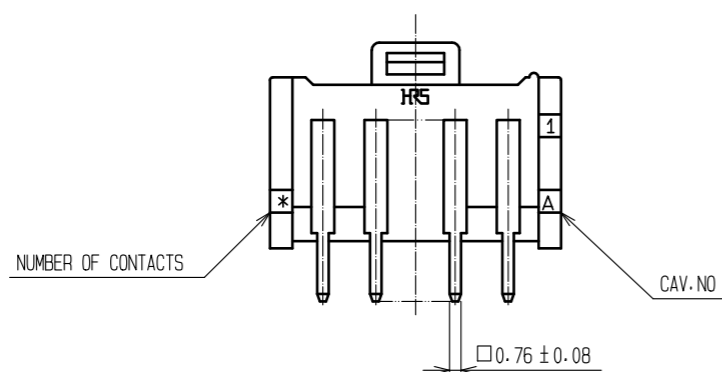
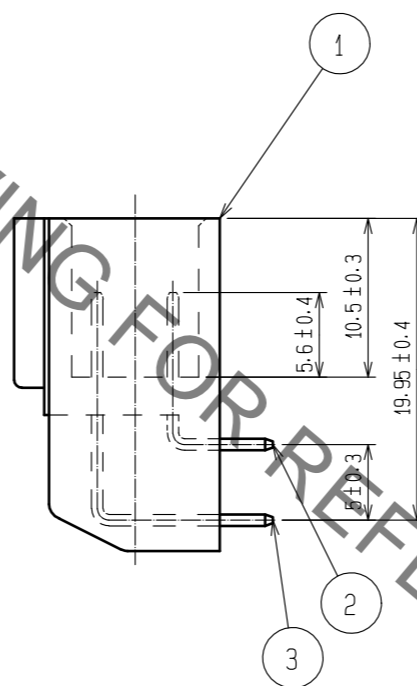
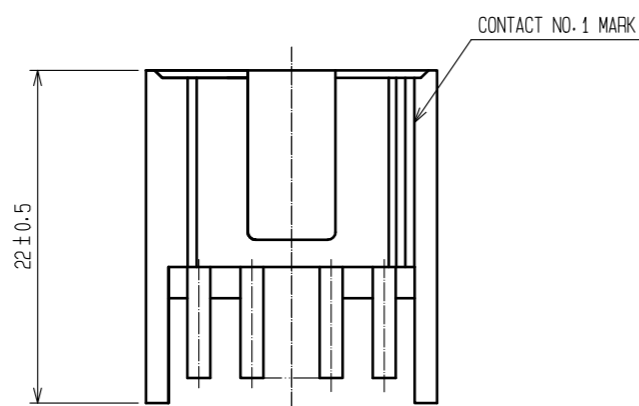
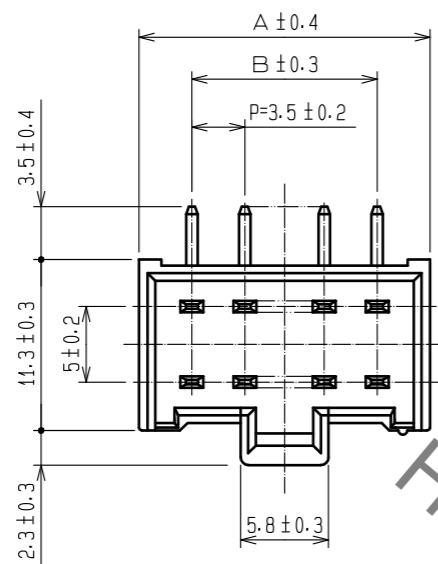
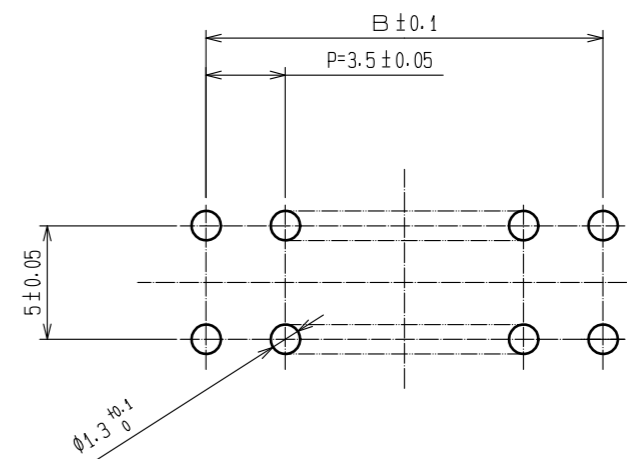


Aug.1.2021 Copyright 2021 HIROSE ELECTRIC CO., LTD. All Rights Reserved.
In case of consideration for using Automotive equipment / device which demand high reliability, kindly contact our sales window correspondents.



CODE NO.	PART NO.	NUMBER OF CONTACTS	A	B
CL547-0270-0-23	MDF6- 4DP-3.5DS(23)	4	10.5	3.5
CL547-0271-2-23	MDF6- 6DP-3.5DS(23)	6	14.0	7.0
CL547-0272-5-23	MDF6- 8DP-3.5DS(23)	8	17.5	10.5
CL547-0273-8-23	MDF6-10DP-3.5DS(23)	10	21.0	14.0

RECOMMENDED PATTERN



NOTE 1 : UL (FILE No. E52653)
CSA (FILE No. LR95109) AUTHORIZATION ARTICLE.



NO.	MATERIAL	FINISH .	REMARKS	NO.	MATERIAL	FINISH .	REMARKS
2	BRASS		SURFACE:TIN PLATED 1#m min UNDER PLATING:NICKEL 1#m min	3	BRASS		SURFACE:TIN PLATED 1#m min UNDER PLATING:NICKEL 1#m min
1	POLYAMIDE		NATURAL (WHITE), UL94V-0				

UNITS	SCALE	COUNT	DESCRIPTION OF REVISIONS	DESIGNED	CHECKED	DATE
mm	2 : 1	△				

HRS HIROSE ELECTRIC CO., LTD.	APPROVED : HS. OKAWA	20200313	DRAWING NO.	EDC-162426-23-00
	CHECKED : TS. KUMAZAWA	20200313	PART NO.	MDF6-*DP-3.5DS(23)
	DESIGNED : HK. HAYASHI	20200313	CODE NO.	CL547-
	DRAWN : DS. HIROWATARI	20200306		

Mouser Electronics

Authorized Distributor

Click to View Pricing, Inventory, Delivery & Lifecycle Information:

[Hirose Electric:](#)

[MDF6-8DP-3.5DS\(23\)](#)