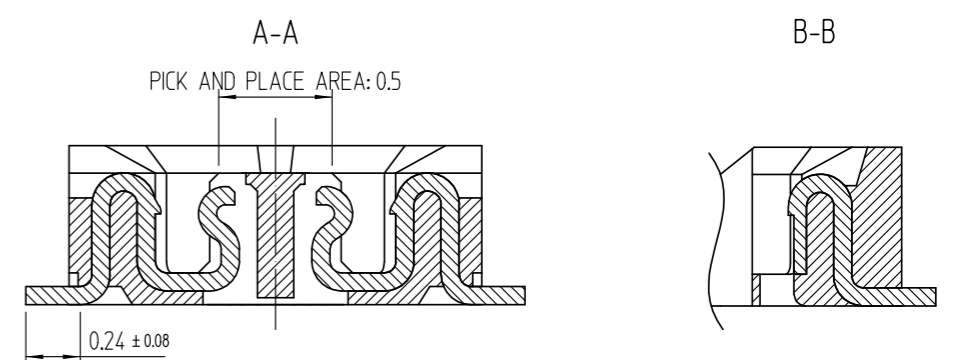
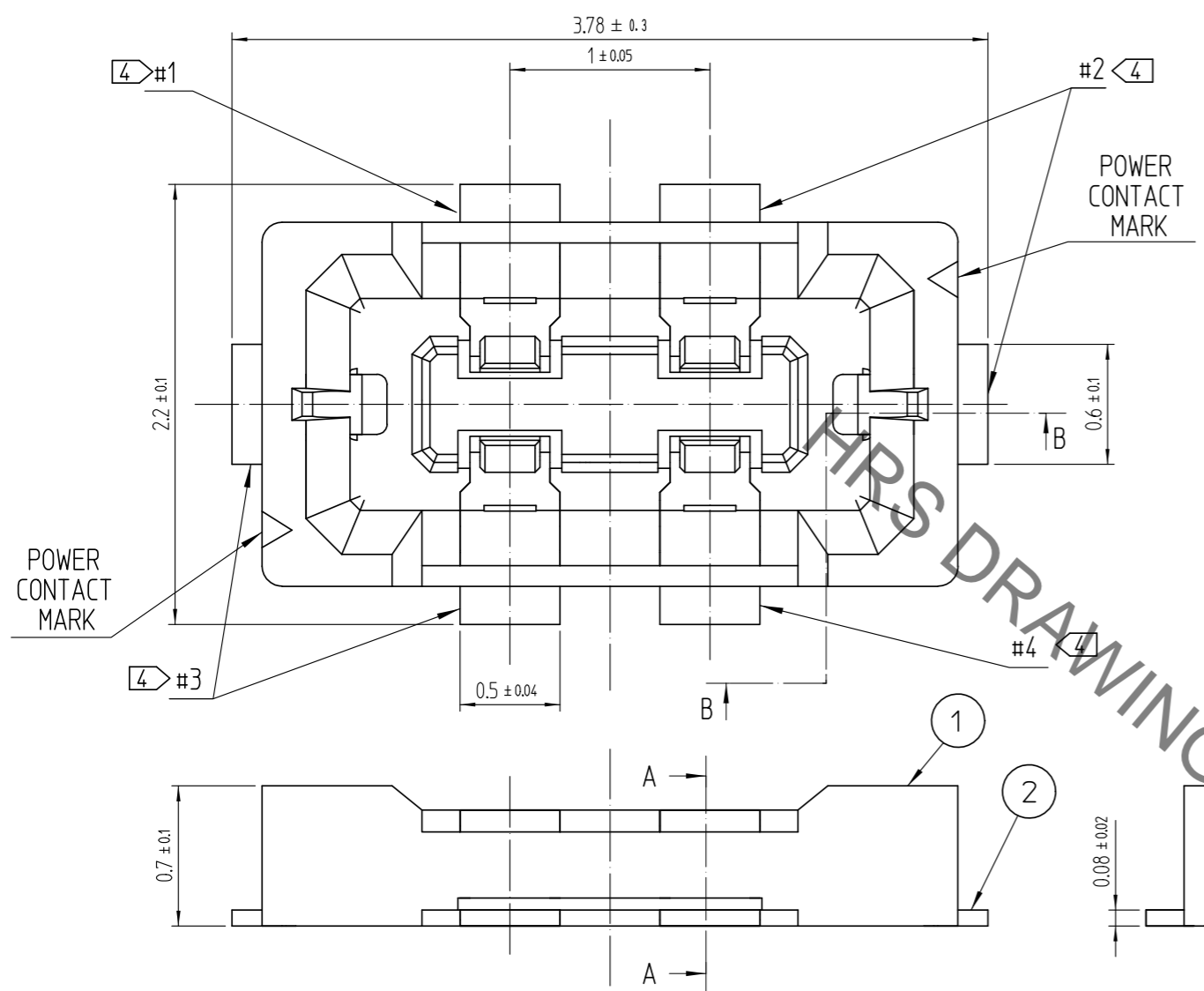


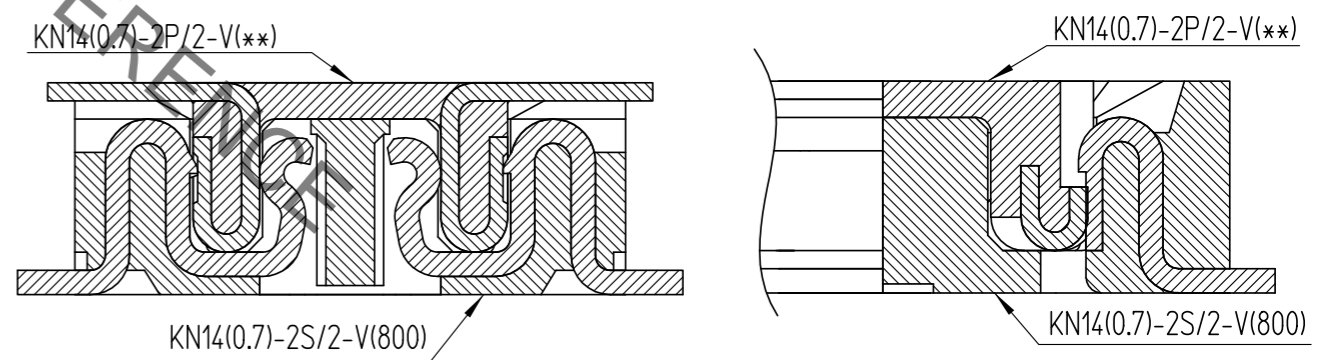
Jan.1.2022 Copyright 2022 HIROSE ELECTRIC CO., LTD. All Rights Reserved.
In case of consideration for using Automotive equipment / device which demand high reliability, kindly contact our sales window correspondents.

△數 COUNT	訂正事項 DESCRIPTION OF REVISIONS	擔當 B Y	檢圖 CHKD	年月日 DATE	△數 COUNT	訂正事項 DESCRIPTION OF REVISIONS	擔當 B Y	檢圖 CHKD	年月日 DATE
2	RE-6-1225	PJS	JHW	18. 10 .09					

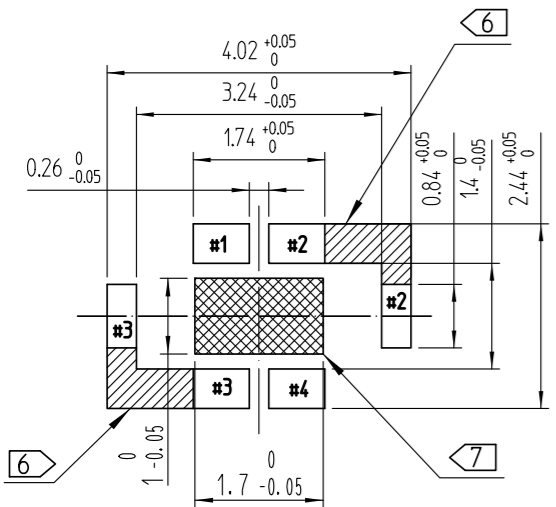
NOTE 1. ALL LEADS CO-PLANARITY SHALL BE 0.08mm MAX (BEFORE HEATING AND AFTER HEATING)
 [2] CONTACT PLATING SPECIFICATIONS.
 CONTACT AREA : GOLD 0.05 μmMIN
 SMT LEAD : GOLD 0.05 μmMIN
 UNDERPLATING : NICKEL 1 μmMIN
 (SURFACE : SEALING)
 [3] HRS MARK IS INDICATED IN APPROX POSITION SHOWN.
 [4] PLEASE USE EACH PIN ACCORDING TO OUR PIN MAP.
 5. PLEASE CONTACT US IN CASE YOU WILL MAKE DIFFERENT SETTINGS FROM OUR RECOMMENDATION.
 [6] PROHIBITED AREA OF SOLDER.
 EACH AREA SHOULD BE ATTACHED AS BRIDGE PATTERN, THEN COVERED WITH A FILM TO KEEP SOLDER OUT
 [7] PROHIBITED AREA OF PATTERN WIRING AND SOLDER.



ENGAGEMENT FIGURE (40:1)

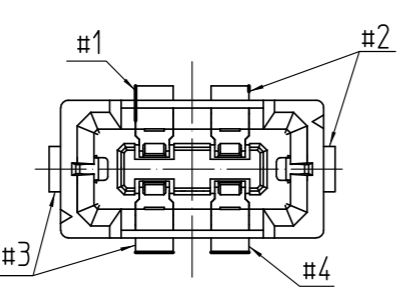


◆ RECOMMENDED PCB LAYOUT



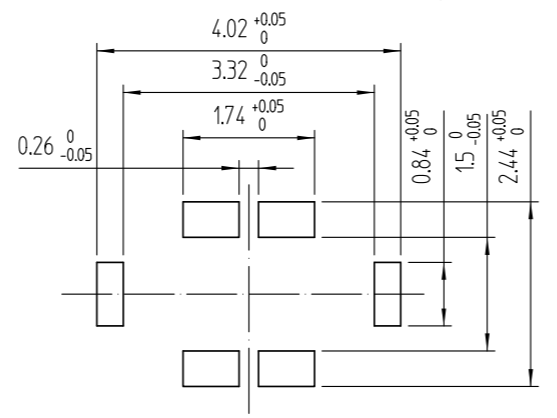
[4] ◆ PIN MAP DIScription

PIN No.	#1	#2	#3	#4
Function	Signal	Power	Power	Signal



◆ RECOMMENDED METAL MASK DIMENSIONS

METAL MASK THICKNESS : 100 μm



3	PS	CLEAR (EMBOSSD CARRIER TAPE)			
2	COPPER ALLOY	[2]	5	PS	
1	LCP	UL94 V-0. BLACK	4	POLYESTER	
				BLACK (PLASTIC REEL)	
				COVER (COVER TAPE)	
NO.	MATERIAL	FINISH,REMARKS	NO.	MATERIAL	FINISH,REMARKS

CODE NO. (OLD)	DRAWN	DESIGNED	CHECKED	APPROVED	RELEASED
	C.H.LEE 16.01.25	C.H.LEE 16.01.25	H.W.JO 16.01.25	T.SKANG 16.01.25	연구소 18.10.09 출도

 SCALE 30:1 UNITS mm	DRAWING NO. DC3-631882-800 HRS HIROSE KOREA CO.,LTD.	PART NO. KN14(0.7)-2S/2-V(800) CODE NO. CL 6649-0002-1-800	1/2
----------------------------	--	---	-----

Mouser Electronics

Authorized Distributor

Click to View Pricing, Inventory, Delivery & Lifecycle Information:

[Hirose Electric:](#)

[KN14\(0.7\)-2S/2-V\(800\)](#)