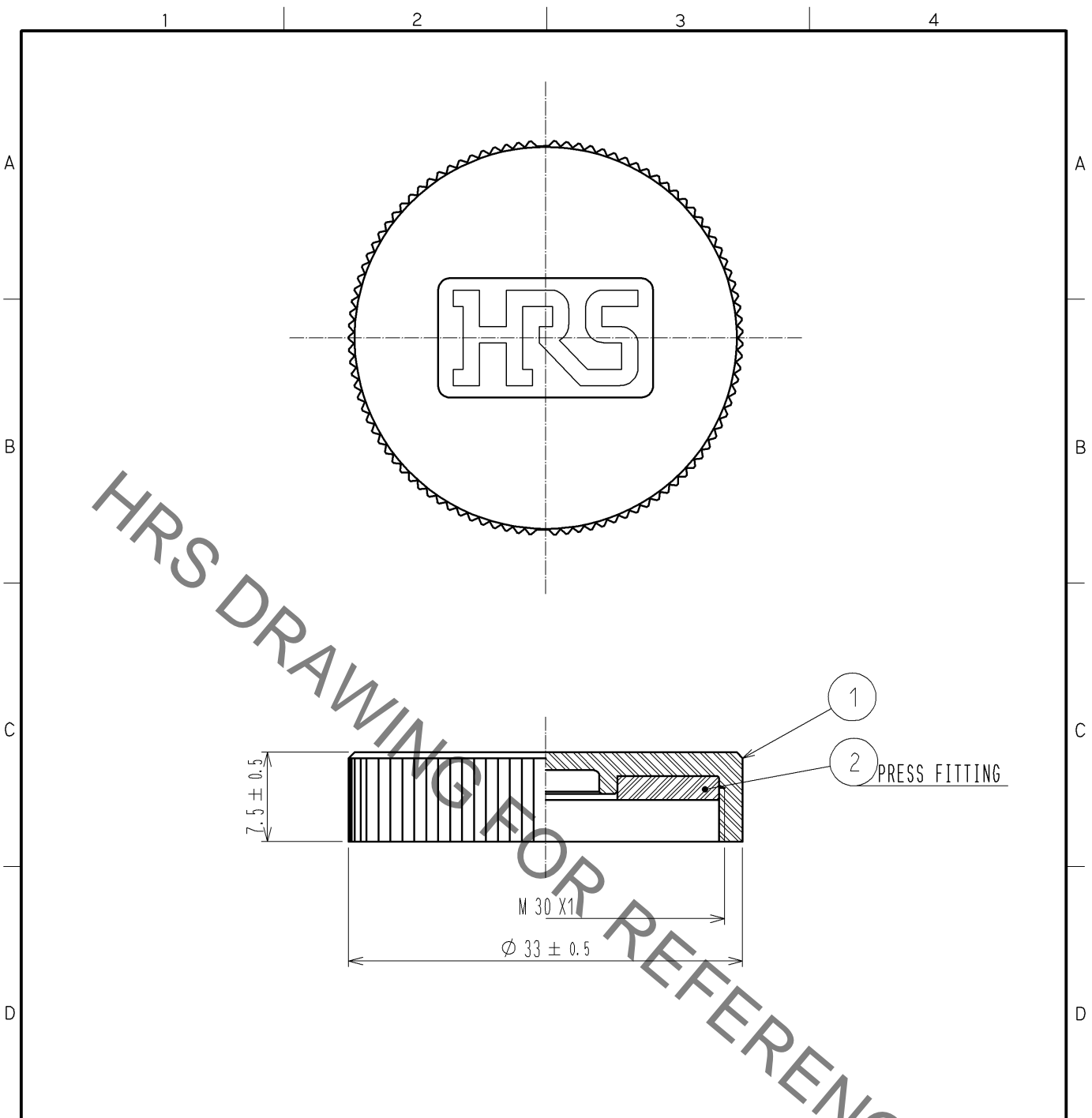


Sep.1.2021 Copyright 2021 HIROSE ELECTRIC CO., LTD. All Rights Reserved.
 In case of consideration for using Automotive equipment / device which demand high reliability, kindly contact our sales window correspondents.



HRS DRAWING FOR REFERENCE

- NOTES
1. The recommended clamp torque to receptacle: 1.2N · m
 2. In order to prevent screw loosening after assembly to the receptacle, wrap self-fusing tape around this component and the receptacle for stabilization.
 - ⚠ 3. This product is a cap for JR※25WR※-※(※).
It is applicable regardless of given alphabets and/or numbers shown at ※.

1	Polyamide	(BLACK) UL94V-0	2	Silicone Rubber (Red brown)	FINISH . REMARKS
NO.	MATERIAL	FINISH . REMARKS	NO.	MATERIAL	FINISH . REMARKS
UNITS mm		SCALE 2 : 1	COUNT ⚠ 1	DESCRIPTION OF REVISIONS DIS-C-002972	DESIGNED WR. AJIRO
HIROSE ELECTRIC CO., LTD.		APPROVED : SU. OBARA	10. 11. 04	DRAWING NO.	EDC4-116400-00
		CHECKED : HY. KOBAYASHI	10. 11. 04	PART NO.	JR25WRC5
		DESIGNED : HS. NAGANO	10. 11. 02	CODE NO.	CL114-2175-6-00
		DRAWN : HS. NAGANO	10. 11. 02		
				⚠ 1/1	

Mouser Electronics

Authorized Distributor

Click to View Pricing, Inventory, Delivery & Lifecycle Information:

[Hirose Electric:](#)

[JR25WRC5](#)