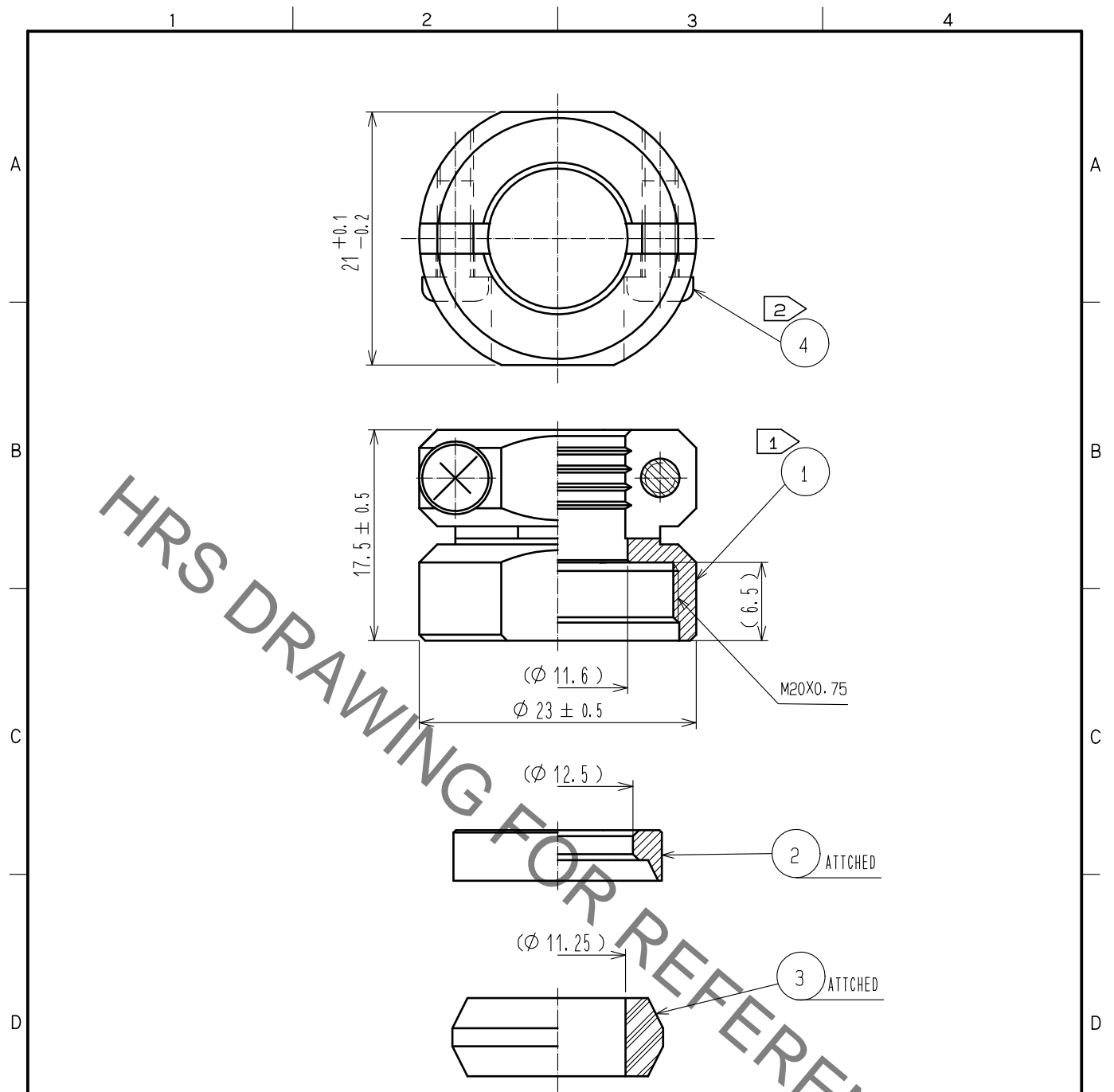


Sep.1.2021 Copyright 2021 HIROSE ELECTRIC CO., LTD. All Rights Reserved.  
In case of consideration for using Automotive equipment / device which demand high reliability, kindly contact our sales window correspondents.



HRS DRAWING FOR REFERENCE

- Notes
- ① The recommended clamp torque of REF. No ① to be 3 to 3.5 N·m. LOCTITE 263, HENKEL JAPAN or equivalent is recommended to prevent REF. No. ① form loosening.
  - ② The recommended clamp torque of REF. No. ④ to be 0.65 to 0.7 N·m.
  - ③ Sealing and airtightness and oil resisting shall be tested under mated condition with an applicable connector.

2	BRASS	NICKEL PLATING	4	STAINLESS STEEL	M3×0.5×8
1	BRASS	CHROME PLATING	3	SILICONE RUBBER	(BLACK)
NO.	MATERIAL	FINISH . REMARKS	NO.	MATERIAL	FINISH . REMARKS
UNITS mm		SCALE 2 : 1	COUNT 	DESCRIPTION OF REVISIONS	DESIGNED
HIROSE ELECTRIC CO., LTD.		APPROVED :HY. KOBAYASHI	15.08.05	DRAWING NO.	EDC-111223-72-00
		CHECKED :HY. KOBAYASHI	15.08.05	PART NO.	JR16WCC-11(72)
		DESIGNED :HY. KISHI	15.08.05	CODE NO.	CL114-2154-6-72
		DRAWN :HY. KISHI	15.08.05	1/1	

# Mouser Electronics

Authorized Distributor

Click to View Pricing, Inventory, Delivery & Lifecycle Information:

[Hirose Electric:](#)

[JR16WCC-11\(72\)](#)