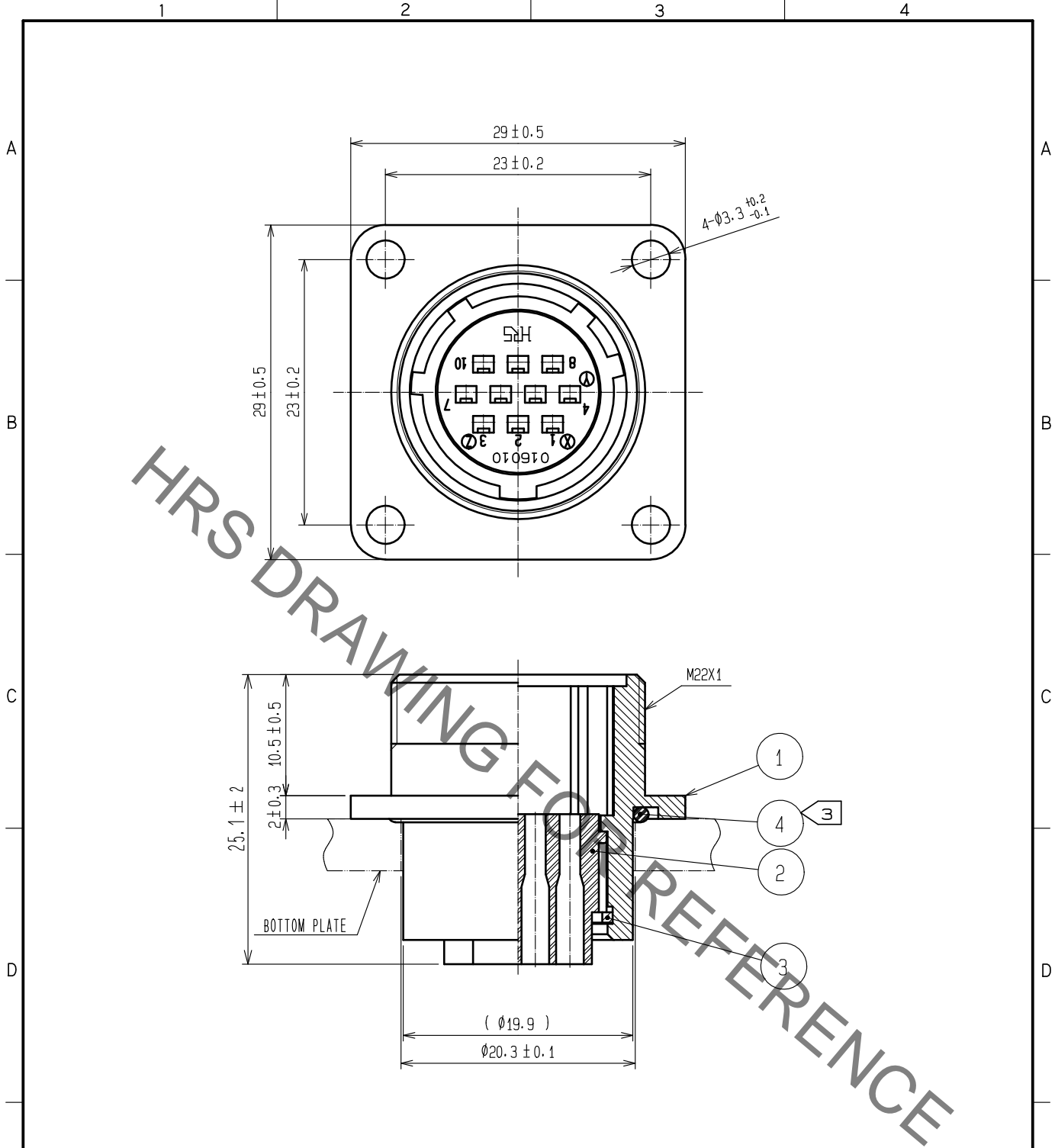


Sep.1.2021 Copyright 2021 HIROSE ELECTRIC CO., LTD. All Rights Reserved.
In case of consideration for using Automotive equipment / device which demand high reliability, kindly contact our sales window correspondents.



- NOTES 1. APPLICABLE CRIMP CONTACT: JRC-PC2-212(AWG#20 TO 24)
JRC-PC2-222(AWG#24 TO 28)
2. APPLICABLE CONTACT REMOVAL TOOL(EXTRACTION TOOL): RM-TP
- ③ WHEN MOUNTED ON CHASSIS, BE CAREFUL THAT REFERENCE NO. ④ IS FITTED INTO THE INDICATED GROOVE WITHOUT ANY BITING.

2	POLYCARBONATE	(BLACK) UL94V-0	4	ACRYLONITRILE BUTADIENE RUBBER	(BLACK)		
1	ALUMINUM ALLOY	BLACK CHROME PLATING	3	PHOSPHOR BRONZE	NICKEL PLATING		
NO.	MATERIAL	FINISH . REMARKS	NO.	MATERIAL	FINISH . REMARKS		
UNITS		SCALE	COUNT	DESCRIPTION OF REVISIONS	DESIGNED	CHECKED	DATE
mm		2 : 1					
HIROSE ELECTRIC CO., LTD.		APPROVED : HY. KOBAYASHI	18.02.26	DRAWING NO.	EDC-110660-31-00		
		CHECKED : HY. KOBAYASHI	18.02.26	PART NO.	JR16WR-10PC(31)		
		DESIGNED : TH. KAMEYA	18.02.24	CODE NO.	CL114-2130-8-31		
		DRAWN : MK. INOUE	18.02.14				

Mouser Electronics

Authorized Distributor

Click to View Pricing, Inventory, Delivery & Lifecycle Information:

[Hirose Electric:](#)

[JR16WR-10PC\(31\)](#)