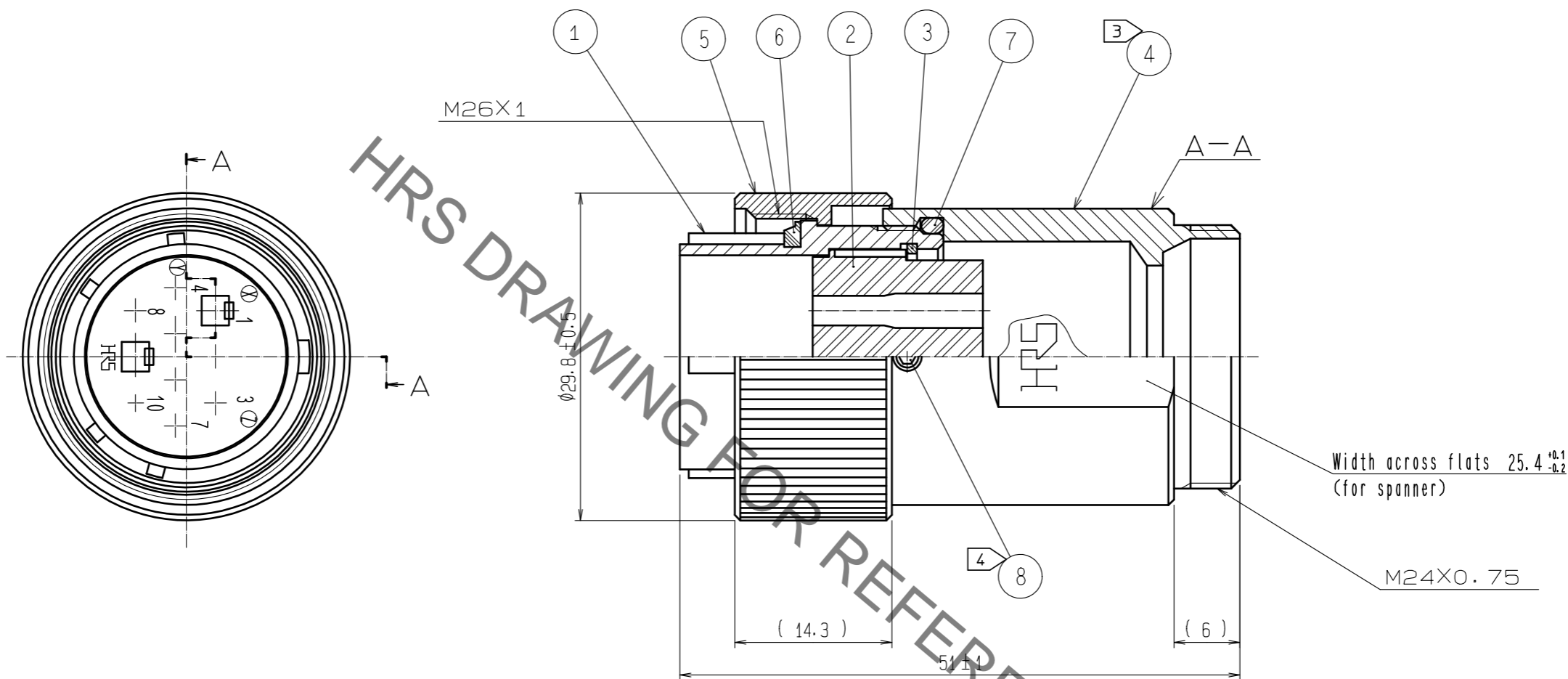


Sep.1.2021 Copyright 2021 HIROSE ELECTRIC CO., LTD. All Rights Reserved.
In case of consideration for using Automotive equipment / device which demand high reliability, kindly contact our sales window correspondents.



- Notes
- 1 Applicable crimp contact : JRC-PC-212(AWG #16 to 20)
 - 2 Applicable contact removal tool(extraction tool) : JRC-TP
 - ③ The recommended clamp torque, REF. No. ④ : 4 to 4.5 N·m.
 - ④ The recommended clamp torque, REF. No. ⑧ : 0.2 to 0.25 N·m. and LOCTITE 263, HENKEL JAPAN or equivalent is recommended to prevent from loosening.
 - 5 One example of the rotation of REF. No. ④ to REF. No. ① is shown.
 - 6 This product to be used with cableclamp, JR21WCC-※
※Designate diameter of applicable cable.
 - 7 The cable pull and twisting strength and other characteristics may differ, depending on the cable structure.
Please confirm before the use.

NO.	MATERIAL	FINISH . REMARKS	NO.	MATERIAL	FINISH . REMARKS
4	BRASS	BLACK CHROME PLATING	8	STAINLESS STEEL	HEX SOCKET SET SCREW HEX = 1.27
3	PHOSPHOR BRONZE	NICKEL PLATING	7	ACRYLONITRILE BUTADIENE RUBBER	(BLACK)
2	POLYCARBONATE	(BLACK) UL94V-0	6	ACRYLONITRILE BUTADIENE RUBBER	(BLACK)
1	ALUMINUM ALLOY	BLACK CHROME PLATING	5	BRASS	BLACK CHROME PLATING

UNITS	SCALE	COUNT	DESCRIPTION OF REVISIONS	DESIGNED	CHECKED	DATE
mm	2 : 1	1				
APPROVED : HY. KOBAYASHI			18.02.26	DRAWING NO. EDC-110651-31-00		
CHECKED : HY. KOBAYASHI			18.02.26	PART NO. JR21WP-10PC(31)		
DESIGNED : TH. KAMEYA			18.02.24	CODE NO. CL114-2115-4-31		
DRAWN : MK. INOUE			18.02.14	1/1		

Mouser Electronics

Authorized Distributor

Click to View Pricing, Inventory, Delivery & Lifecycle Information:

[Hirose Electric:](#)

[JR21WP-10PC\(31\)](#)