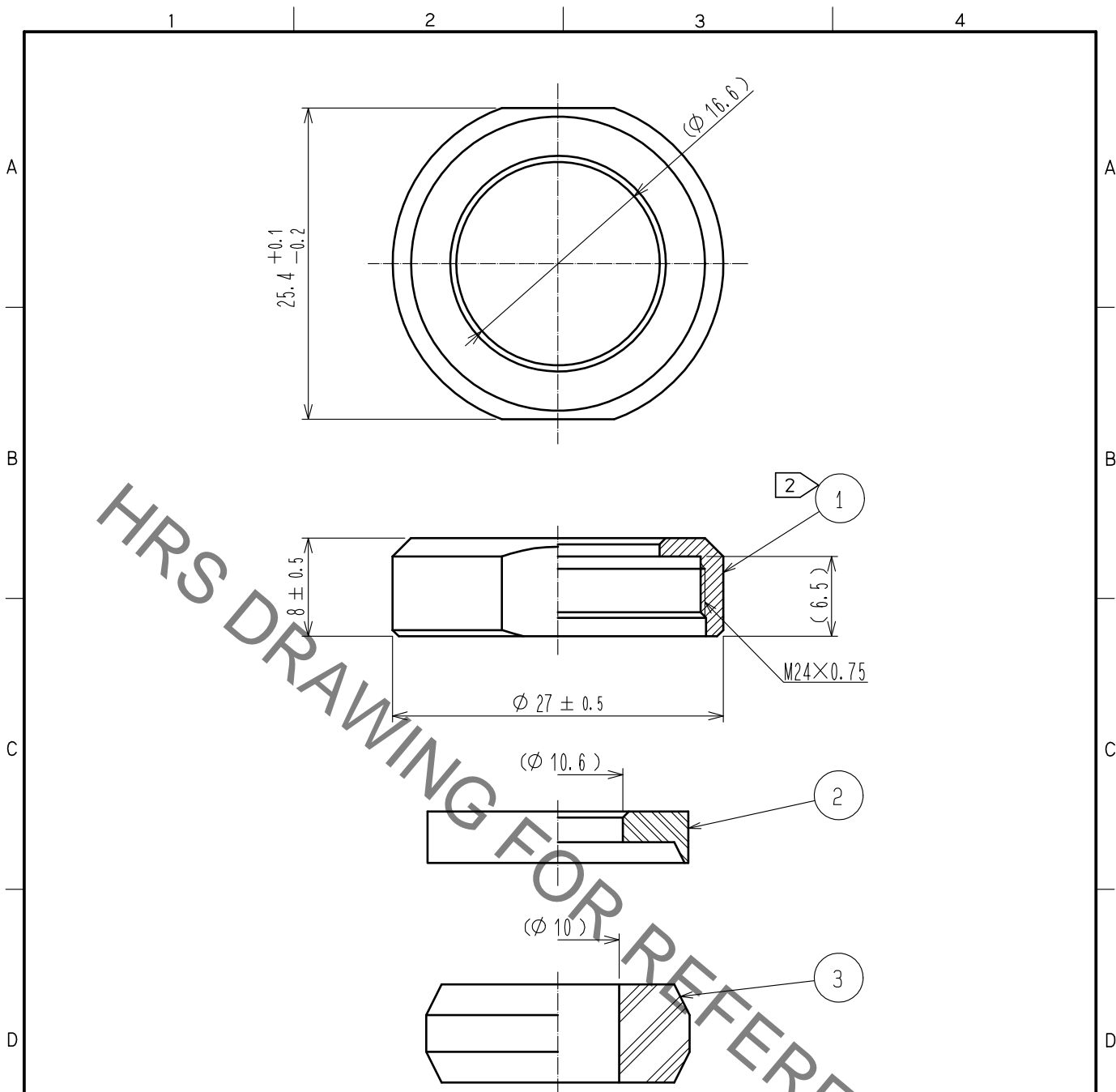


Sep.1.2021 Copyright 2021 HIROSE ELECTRIC CO., LTD. All Rights Reserved.
In case of consideration for using Automotive equipment / device which demand high reliability, kindly contact our sales window correspondents.



- Notes
1. This product is delivered disassembled.
 2. The recommended clamp torque of ref. No. ① : 4 to 4.5 N · m .
LOCTITE 263, HENKEL JAPAN or equivalent is recommended to prevent ref. No. ① from loosening.
 3. The cable pull and twisting strength, waterproof tightness and other characteristics may differ, depending on the cable structure. Please confirm before the use.

2	PPS	(Black) UL94V-0					
1	Brass	Black chrome plating	3	Acrylonitrile butadiene rubber	(Gray)		
NO.	MATERIAL	FINISH .	REMARKS	NO.	MATERIAL	FINISH .	REMARKS

UNITS mm		SCALE 2 : 1	COUNT 	DESCRIPTION OF REVISIONS	DESIGNED	CHECKED	DATE
-------------	--	----------------	-----------	--------------------------	----------	---------	------

HIROSE ELECTRIC CO., LTD.	APPROVED :HY. KOBAYASHI	18. 02. 26	DRAWING NO.	EDC-110626-31-00
	CHECKED :HY. KOBAYASHI	18. 02. 26	PART NO.	JR21WCCA-10(31)
	DESIGNED :TH. KAMEYA	18. 02. 24	CODE NO.	CL114-2083-0-31
	DRAWN :MK. INOUE	18. 02. 14		1/1

Mouser Electronics

Authorized Distributor

Click to View Pricing, Inventory, Delivery & Lifecycle Information:

[Hirose Electric:](#)

[JR21WCCA-10\(31\)](#)