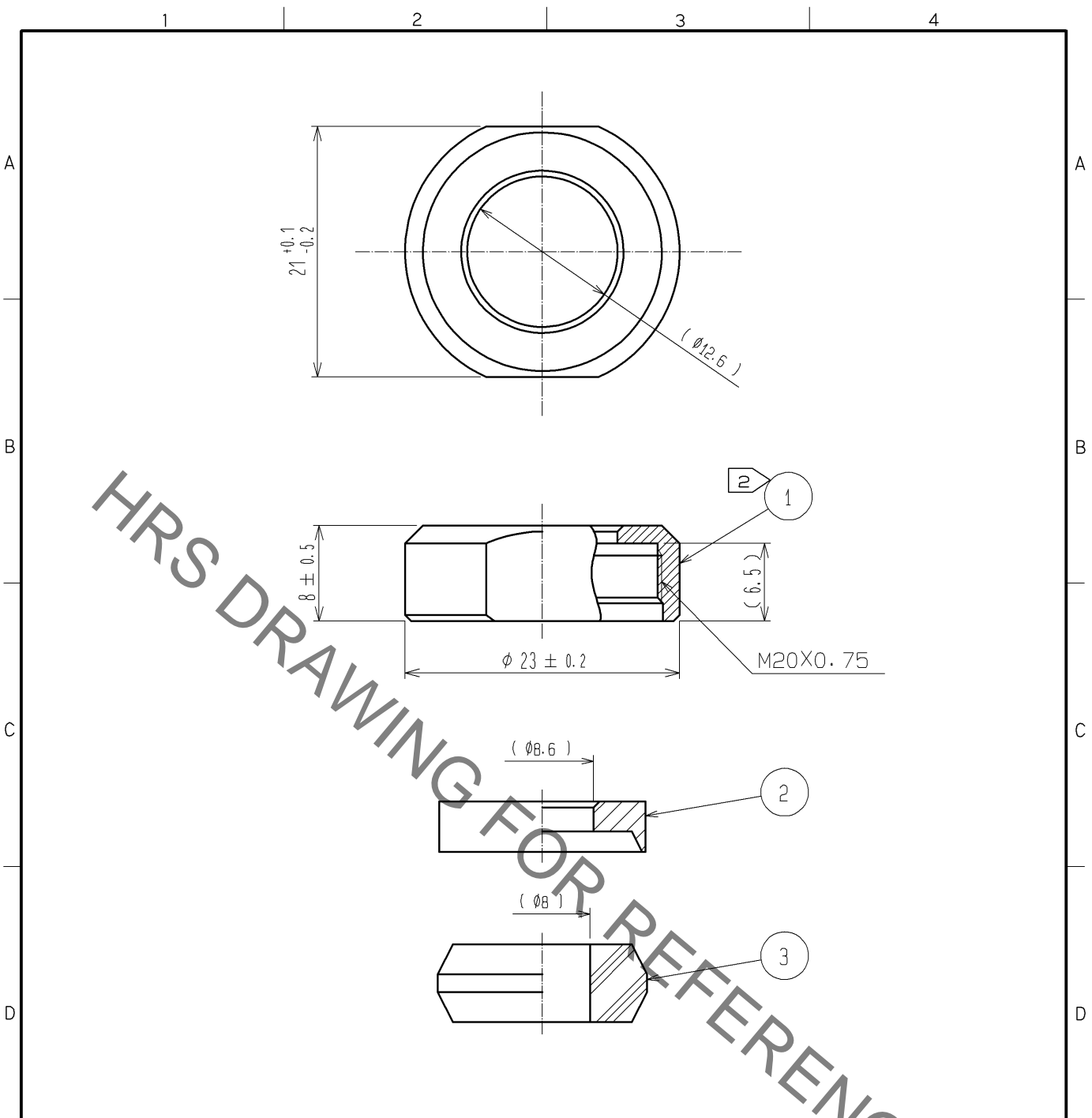


Sep.1.2021 Copyright 2021 HIROSE ELECTRIC CO., LTD. All Rights Reserved.
 In case of consideration for using Automotive equipment / device which demand high reliability, kindly contact our sales window correspondents.



HRS DRAWING FOR REFERENCE

- Notes
- 1 This product is delivered disassembled.
 - 2 The recommended clamp torque of REF. No. ① to be 3 to 3.5N·m
 Loctite 263, HENKEL JAPAN or equivalent is recommended
 to prevent REF. No. ① from loosening.
 - 3 The cable pull and twisting strength and other characteristics
 may differ, depending on the cable structure.
 Please confirm before the use.

2	Brass	Nickel plating						
1	Brass	Chrome plating	3	Silicone rubber	(Black)			
NO.	MATERIAL	FINISH	REMARKS	NO.	MATERIAL	FINISH	REMARKS	
UNITS mm		SCALE 2 : 1	COUNT 	DESCRIPTION OF REVISIONS		DESIGNED	CHECKED	DATE
HIROSE ELECTRIC CO., LTD.		APPROVED : EJ. KUNII	14. 02. 15	DRAWING NO.		EDC4-110488-72		
		CHECKED : HY. KISHI	14. 02. 14	PART NO.		JR16WCCA-8(72)		
		DESIGNED : KN. IKEHARA	14. 02. 14	CODE NO.		CL114-2078-0-72		
		DRAWN : KN. IKEHARA	14. 02. 14			1/1		

Mouser Electronics

Authorized Distributor

Click to View Pricing, Inventory, Delivery & Lifecycle Information:

[Hirose Electric:](#)

[JR16WCCA-8\(72\)](#)