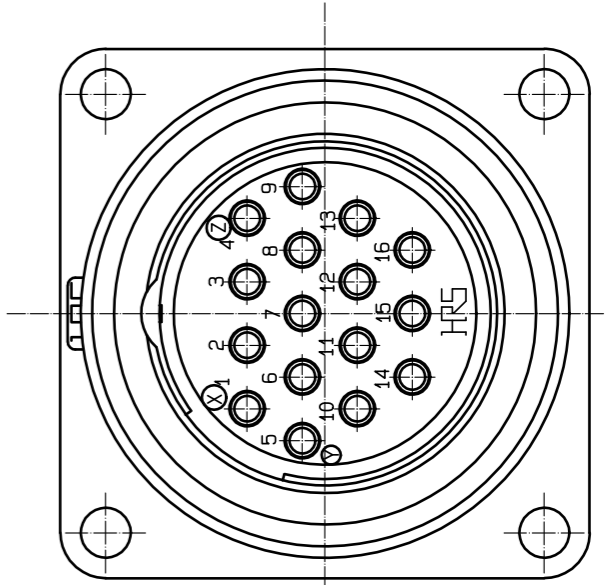
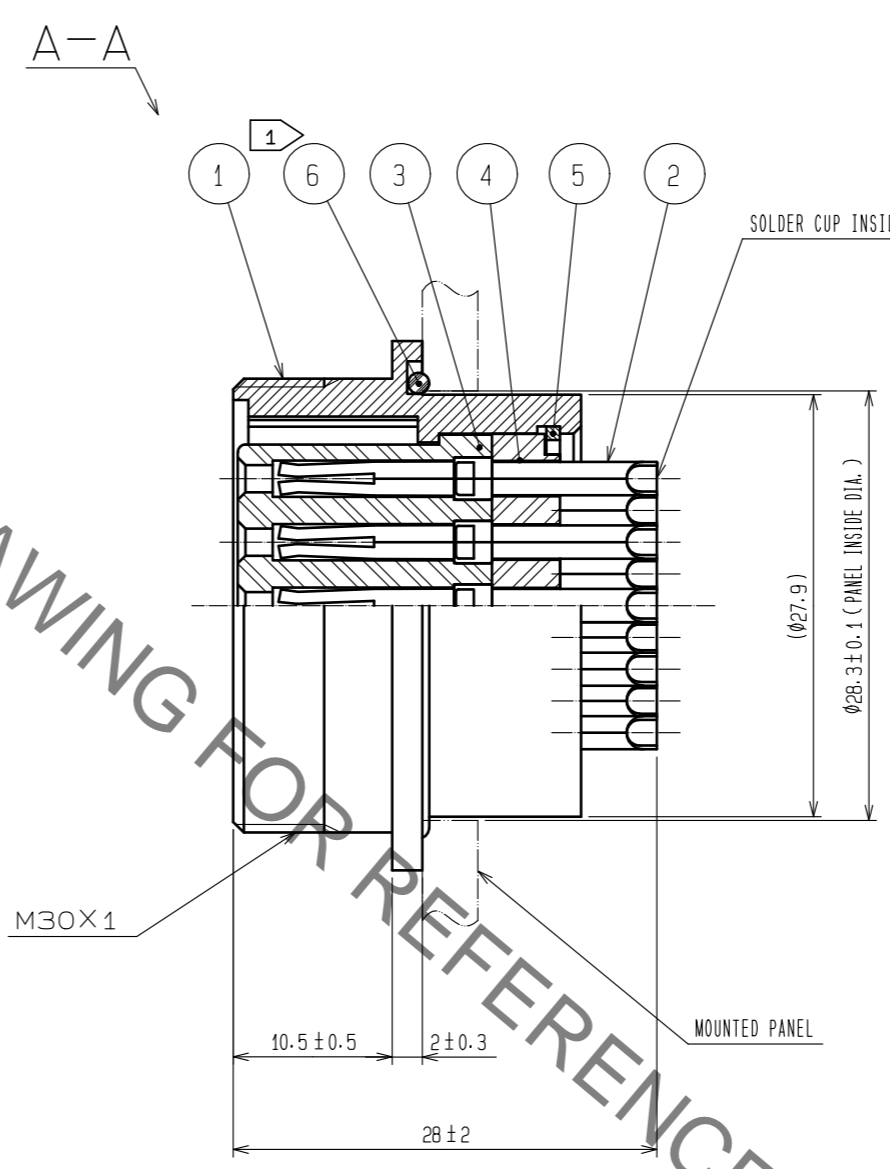
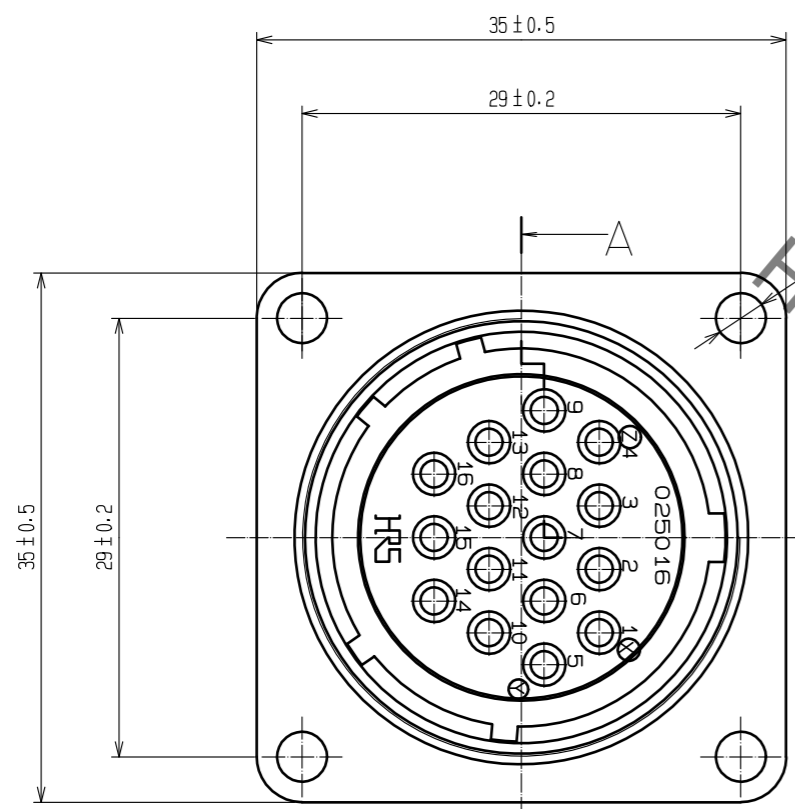


Sep.1.2021 Copyright 2021 HIROSE ELECTRIC CO., LTD. All Rights Reserved.  
In case of consideration for using Automotive equipment / device which demand high reliability, kindly contact our sales window correspondents.



NOTE ① WHEN MOUNTED ON CHASSIS, MAKE SURE THAT REFERENCE NO. ⑥ IS FITTED INTO THE INDICATED GROOVE WITHOUT PINCHED AND DEFORMED.

NO.	MATERIAL	FINISH .	REMARKS	NO.	MATERIAL	FINISH .	REMARKS
3	PHENOL-FORMALDEHYDE	(BLACK)	UL94V-0	6	NBR	(BLACK)	
2	COPPER ALLOY	SILVER PLATING 2 μm min.		5	PHOSPHOR BRONZE	NICKEL PLATING	
1	ALUMINUM ALLOY	BLACK CHROME PLATING		4	PHENOL-FORMALDEHYDE	(BLACK)	UL94V-0

UNITS	SCALE	COUNT	DESCRIPTION OF REVISIONS	DESIGNED	CHECKED	DATE
mm	2 : 1	△				
APPROVED : HY. KOBAYASHI			18.02.26	DRAWING NO. EDC-110592-31-00		
CHECKED : HY. KOBAYASHI			18.02.26	PART NO. JR25WR-16S(31)		
DESIGNED : TH. KAMEYA			18.02.23	CODE NO. CL114-2043-5-31		
DRAWN : MK. INOUE			18.02.13	①/1		

# Mouser Electronics

Authorized Distributor

Click to View Pricing, Inventory, Delivery & Lifecycle Information:

[Hirose Electric:](#)

[JR25WR-16S\(31\)](#)