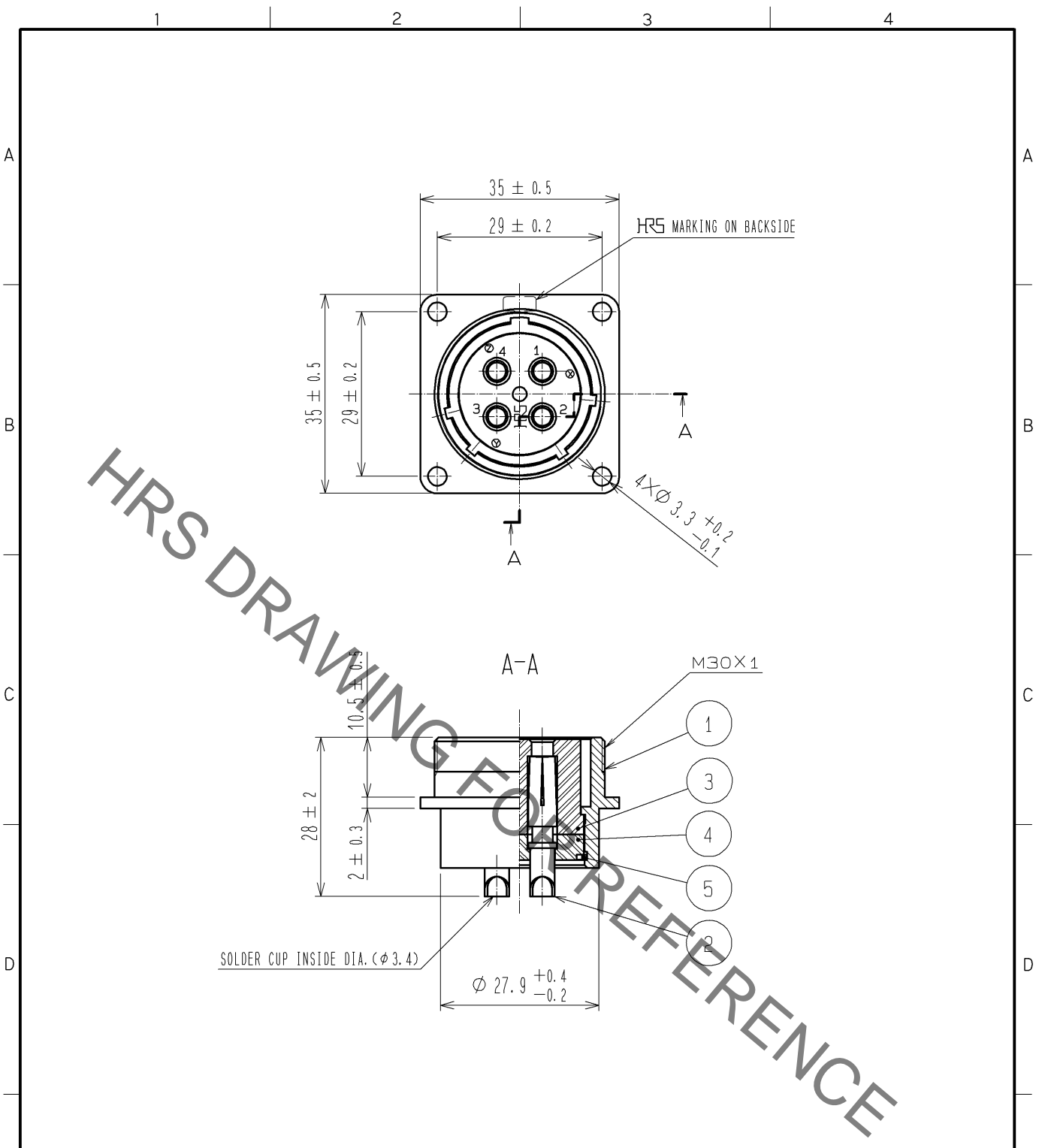


Sep.1.2021 Copyright 2021 HIROSE ELECTRIC CO., LTD. All Rights Reserved.
In case of consideration for using Automotive equipment / device which demand high reliability, kindly contact our sales window correspondents.



NOTE 1 ROTATIONAL DIRECTION OF THE SOLDER CUP OF REF. NO. ② SHOWS AN EXAMPLE.

3	POLYPHENYLENE SULFIDE	(BLACK) UL94V-0			
2	PHOSPHOR BRONZE	SILVER PLATING 2 μm min.	5	PHOSPHOR BRONZE	NICKEL PLATING
1	ALUMINUM ALLOY	MATTE FINISH NICKEL PLATED	4	POLYPHENYLENE SULFIDE	(BLACK) UL94V-0
NO.	MATERIAL	FINISH , REMARKS	NO.	MATERIAL	FINISH , REMARKS

UNITS mm		SCALE 1 : 1	COUNT 	DESCRIPTION OF REVISIONS	DESIGNED	CHECKED	DATE
HIROSE ELECTRIC CO., LTD.				APPROVED : EJ. KUNII 13. 04. 05 CHECKED : HY. KISHI 13. 04. 05 DESIGNED : HK. NAMAI 13. 04. 05 DRAWN : HK. NAMAI 13. 04. 05	DRAWING NO. EDC4-118218-00 PART NO. JR25RH-4S CODE NO. CL114-0629-0-00	1/1	

Mouser Electronics

Authorized Distributor

Click to View Pricing, Inventory, Delivery & Lifecycle Information:

[Hirose Electric:](#)

[JR25RH-4S](#)