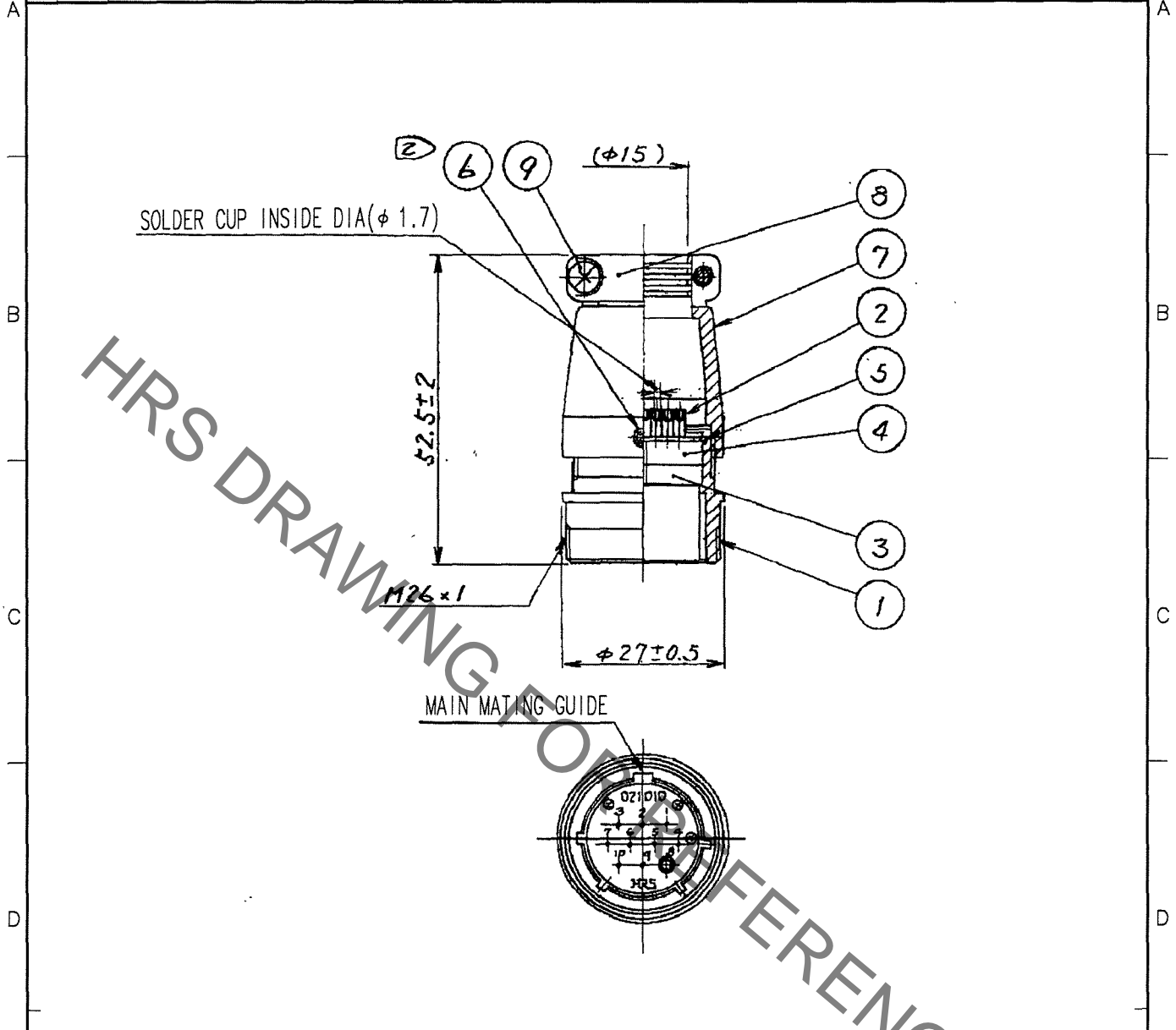


Aug. 1. 2021 Copyright 2021 HIROSE ELECTRIC CO., LTD. All Rights Reserved.
In case of consideration for using Automotive equipment / device which demand high reliability, kindly contact our sales window correspondents.

1			2			3			4					
COUNT	DESCRIPTION OF REVISIONS	BY	CHKD	DATE	COUNT	DESCRIPTION OF REVISIONS	BY	CHKD	DATE	COUNT	DESCRIPTION OF REVISIONS	BY	CHKD	DATE
△					△					△				
△					△					△				
△					△					△				



NOTE 1 ONE EXAMPLE OF THE ROTATION OF REF.NO. ① AND NO. ⑦ ARE SHOWN.

② ACROSS FLATS HEXAGON HEAD OF REF.NO. ⑥ : 1.27

3 THE CABLE PULL AND TWISTING STRENGTH AND OTHER CHARACTERISTICS MAY DIFFER, PLEASE CONFIRM BEFORE THE USE.

5	PHOSPHOR BRONZE	NICKEL PLATING				
4	PHENOL-FORMALDEHYDE	(BLACK) UL94V-0	9	BRASS	NICKEL PLATING M3×0.5×10	
3	PHENOL-FORMALDEHYDE	(BLACK) UL94V-0	8	ALUMINUM ALLOY	MATTE FINISH NICKEL PLATING	
2	COPPER ALLOY	SILVER PLATING 3μ m min.	7	ALUMINUM ALLOY	MATTE FINISH NICKEL PLATING	
1	ALUMINUM ALLOY	MATTE FINISH NICKEL PLATING	6	STEEL	NICKEL PLATING M2.6×0.45×2	
NO.	MATERIAL	FINISH, REMARKS	NO.	MATERIAL	FINISH, REMARKS	

CODE NO. (OLD) CL	DRAWN <i>M. Sato</i> 06.12.06	DESIGNED <i>D. Matsume</i> 06.12.18	CHECKED <i>M. Sato</i> 06.12.19	APPROVED <i>M. Sato</i> 06.12.19	RELEASED
----------------------	-------------------------------------	-------------------------------------------	---------------------------------------	----------------------------------------	----------

	DRAWING NO. EDC4-025492	PART NO. JR21JK-10S
		CODE NO. CL114-0545-2

TO
R

Mouser Electronics

Authorized Distributor

Click to View Pricing, Inventory, Delivery & Lifecycle Information:

[Hirose Electric:](#)

[JR21JK-10S](#)