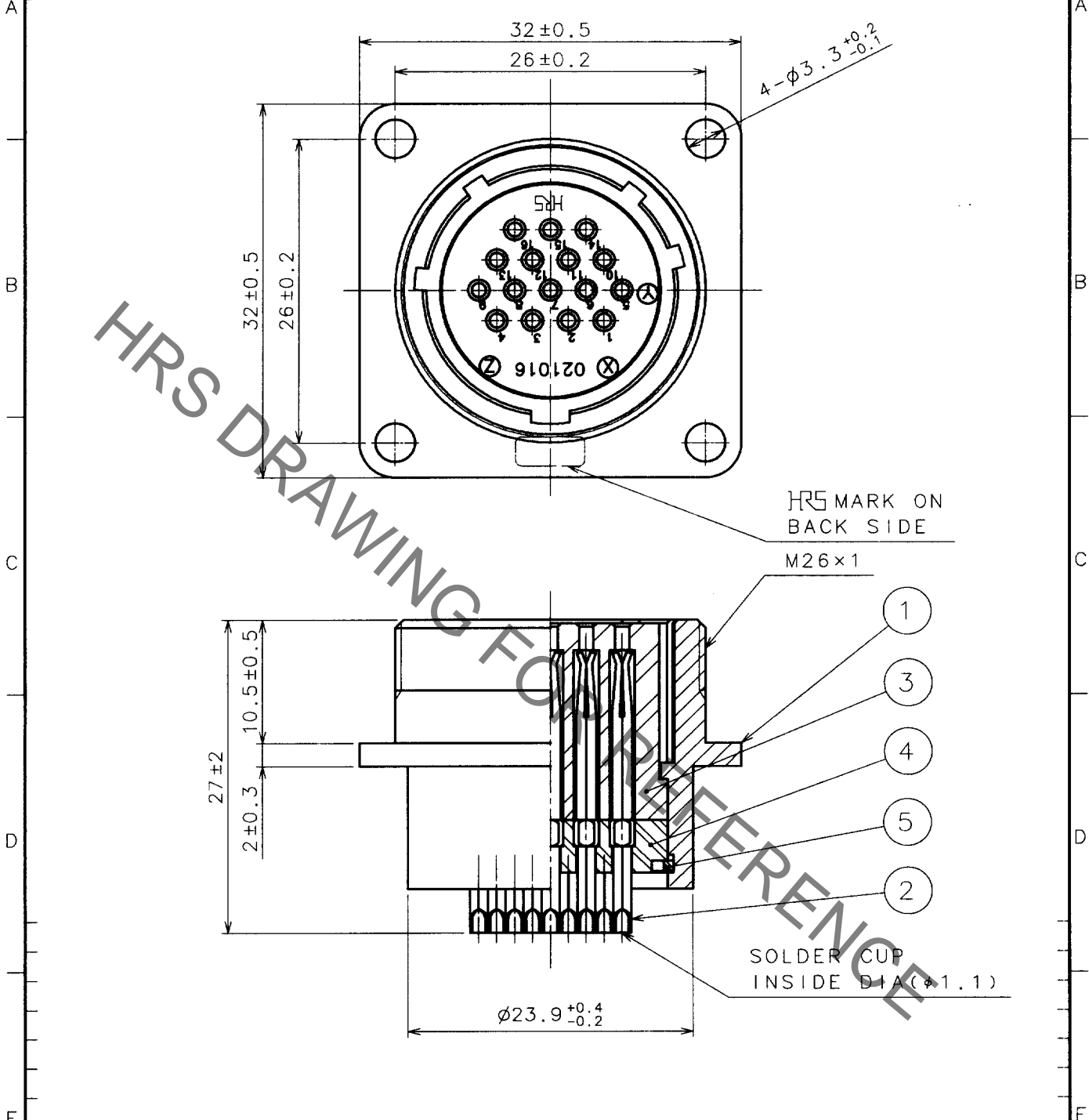


Sep.1.2021 Copyright 2021 HIROSE ELECTRIC CO., LTD. All Rights Reserved.  
In case of consideration for using Automotive equipment / device which demand high reliability, kindly contact our sales window correspondents.

1		2			3			4		
COUNT	DESCRIPTION OF REVISIONS	BY	CHKD	DATE	COUNT	DESCRIPTION OF REVISIONS	BY	CHKD	DATE	
△				..	△				..	
△				..	△				..	
△				..	△				..	



3	PHENOL FORMALDEHYDE	(BLACK) UL94V-0			
2	COPPER ALLOY	SILVER PLATING	5	PHOSPHOR BRONZE	NICKEL PLATING
1	ALUMINUM ALLOY	MATTE FINISH NICKEL PLATED	4	PHENOL FORMALDEHYDE	(BLACK) UL94V-0
NO.	MATERIAL	FINISH, REMARKS	NO.	MATERIAL	FINISH, REMARKS

CODE NO. (OLD)	DRAWN	DESIGNED	CHECKED	APPROVED	RELEASED
	H.YOKOMIZO	<i>[Signature]</i>	N.Sato	<i>[Signature]</i>	
	98.5.23	98.5.23	98.5.25	98.5.26	

 SCALE 2 : 1 UNITS mm	DRAWING NO. EDC4-024156	PART NO. JR21RK-16S
	 HIROSE ELECTRIC CO.,LTD.	CODE NO. CL114-0530-5

TO  
R  
  
VSA

# Mouser Electronics

Authorized Distributor

Click to View Pricing, Inventory, Delivery & Lifecycle Information:

[Hirose Electric:](#)

[JR21RK-16S](#)