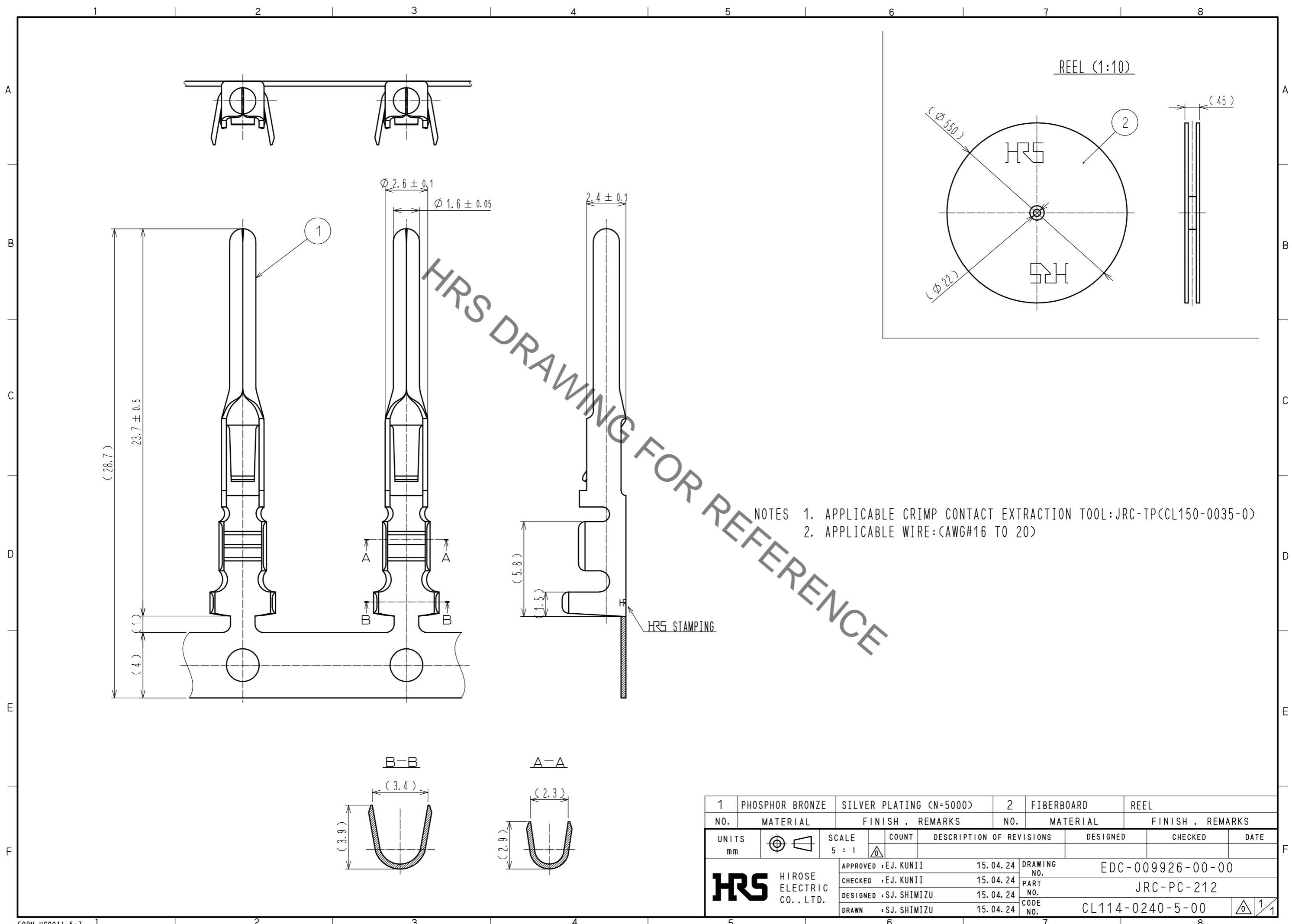


Sep.1.2021 Copyright 2021 HIROSE ELECTRIC CO., LTD. All Rights Reserved.
In case of consideration for using Automotive equipment / device which demand high reliability, kindly contact our sales window correspondents.



NOTES 1. APPLICABLE CRIMP CONTACT EXTRACTION TOOL: JRC-TPCCL150-0035-0)
2. APPLICABLE WIRE: (AWG#16 TO 20)

1	PHOSPHOR BRONZE	SILVER PLATING (N=5000)	2	FIBERBOARD	REEL			
NO.	MATERIAL	FINISH . REMARKS	NO.	MATERIAL	FINISH . REMARKS			
UNITS mm			SCALE 5 : 1	COUNT 	DESCRIPTION OF REVISIONS	DESIGNED	CHECKED	DATE
HRS HIROSE ELECTRIC CO., LTD.		APPROVED : EJ. KUNII	15. 04. 24	DRAWING NO. EDC-009926-00-00				
		CHECKED : EJ. KUNII	15. 04. 24	PART NO. JRC-PC-212				
		DESIGNED : SJ. SHIMIZU	15. 04. 24	CODE NO. CL114-0240-5-00				
		DRAWN : SJ. SHIMIZU	15. 04. 24					

Mouser Electronics

Authorized Distributor

Click to View Pricing, Inventory, Delivery & Lifecycle Information:

[Hirose Electric:](#)

[JRC-PC-212](#)