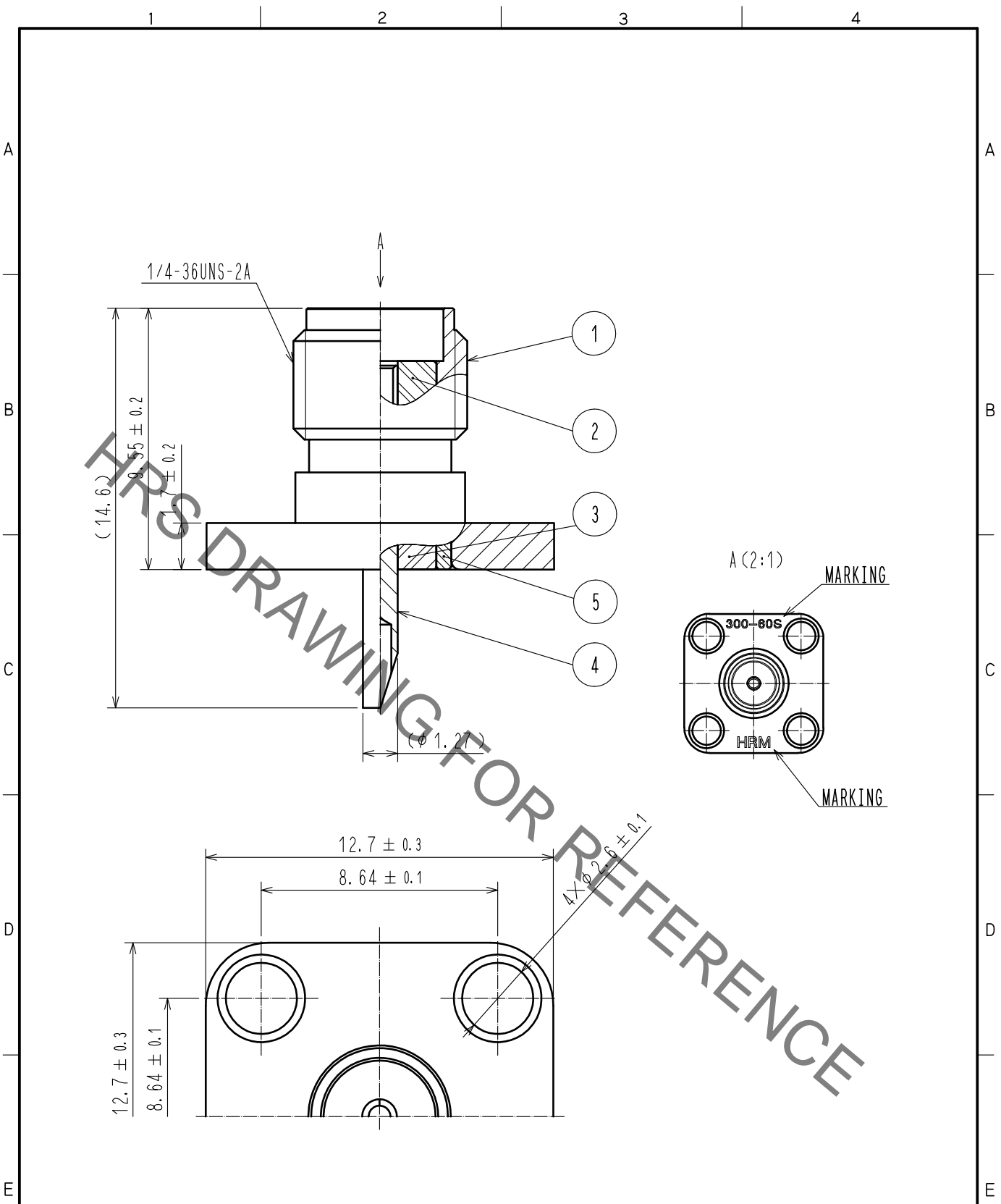


Sep.1.2021 Copyright 2021 HIROSE ELECTRIC CO., LTD. All Rights Reserved.
 In case of consideration for using Automotive equipment / device which demand high reliability, kindly contact our sales window correspondents.



RoHS COMPLIANT

3	PTFE			5	STAINLESS STEEL	PASSIVATE	
2	PTFE			4	BERYLLIUM COPPER	GOLD PLATING	
1	STAINLESS STEEL	PASSIVATE					
NO.	MATERIAL	FINISH	REMARKS	NO.	MATERIAL	FINISH	REMARKS

UNITS mm		SCALE 5 : 1	COUNT 	DESCRIPTION OF REVISIONS	DESIGNED	CHECKED	DATE
-------------	--	----------------	-----------	--------------------------	----------	---------	------

HIROSE ELECTRIC CO., LTD.	APPROVED : TO. KATAYAMA	17. 04. 11	DRAWING NO.	EDC-007158-00-00	
	CHECKED : TO. KATAYAMA	17. 04. 11	PART NO.	HRM-300-60S	
	DESIGNED : RO. YOKOYAMA	17. 04. 11	CODE NO.	CL323-0120-0-00	
	DRAWN : SR. AIHARA	17. 04. 11			

Mouser Electronics

Authorized Distributor

Click to View Pricing, Inventory, Delivery & Lifecycle Information:

[Hirose Electric:](#)

[HRM-300-60S](#)