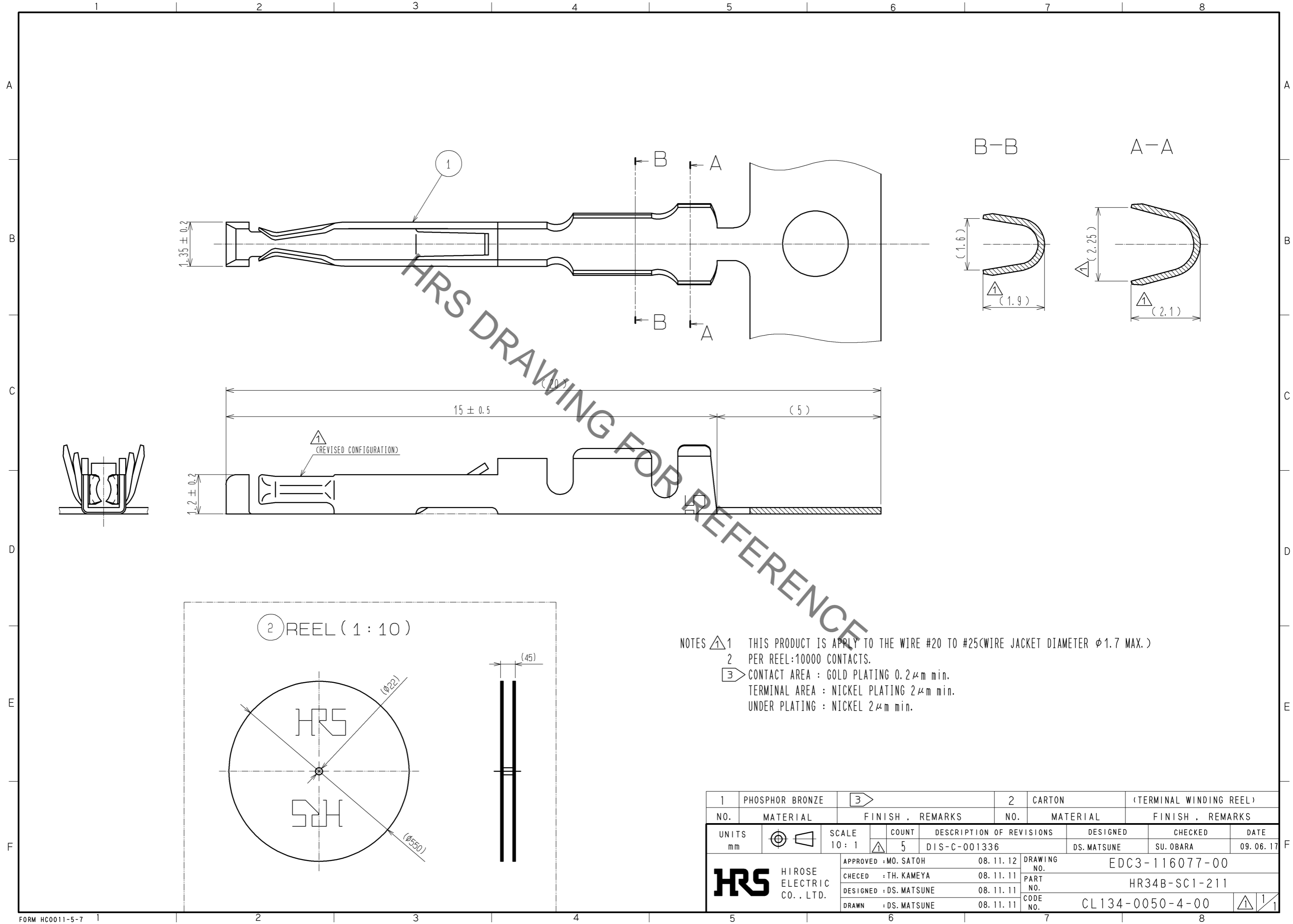


Sep.1.2021 Copyright 2021 HIROSE ELECTRIC CO., LTD. All Rights Reserved.
In case of consideration for using Automotive equipment / device which demand high reliability, kindly contact our sales window correspondents.



NOTES $\triangle 1$ THIS PRODUCT IS APPLY TO THE WIRE #20 TO #25(WIRE JACKET DIAMETER $\phi 1.7$ MAX.)
 2 PER REEL:10000 CONTACTS.
 $\square 3$ CONTACT AREA : GOLD PLATING $0.2\mu\text{m}$ min.
 TERMINAL AREA : NICKEL PLATING $2\mu\text{m}$ min.
 UNDER PLATING : NICKEL $2\mu\text{m}$ min.

1	PHOSPHOR BRONZE	$\square 3$	2	CARTON	(TERMINAL WINDING REEL)
NO.	MATERIAL	FINISH . REMARKS	NO.	MATERIAL	FINISH . REMARKS
UNITS mm	\odot \triangleleft	SCALE 10: 1	COUNT \triangle 5	DESCRIPTION OF REVISIONS DIS-C-001336	DESIGNED DS. MATSUNE
					CHECKED SU. OBARA
					DATE 09. 06. 17
HRS HIROSE ELECTRIC CO., LTD.		APPROVED : MO. SATOH	08. 11. 12	DRAWING NO. EDC3-116077-00	
		CHECED : TH. KAMEYA	08. 11. 11	PART NO. HR34B-SC1-211	
		DESIGNED : DS. MATSUNE	08. 11. 11	CODE NO. CL134-0050-4-00	
		DRAWN : DS. MATSUNE	08. 11. 11		

Mouser Electronics

Authorized Distributor

Click to View Pricing, Inventory, Delivery & Lifecycle Information:

[Hirose Electric:](#)

[HR34B-SC1-211](#)