

Sep.1.2021 Copyright 2021 HIROSE ELECTRIC CO., LTD. All Rights Reserved.
In case of consideration for using Automotive equipment / device which demand high reliability, kindly contact our sales window correspondents.

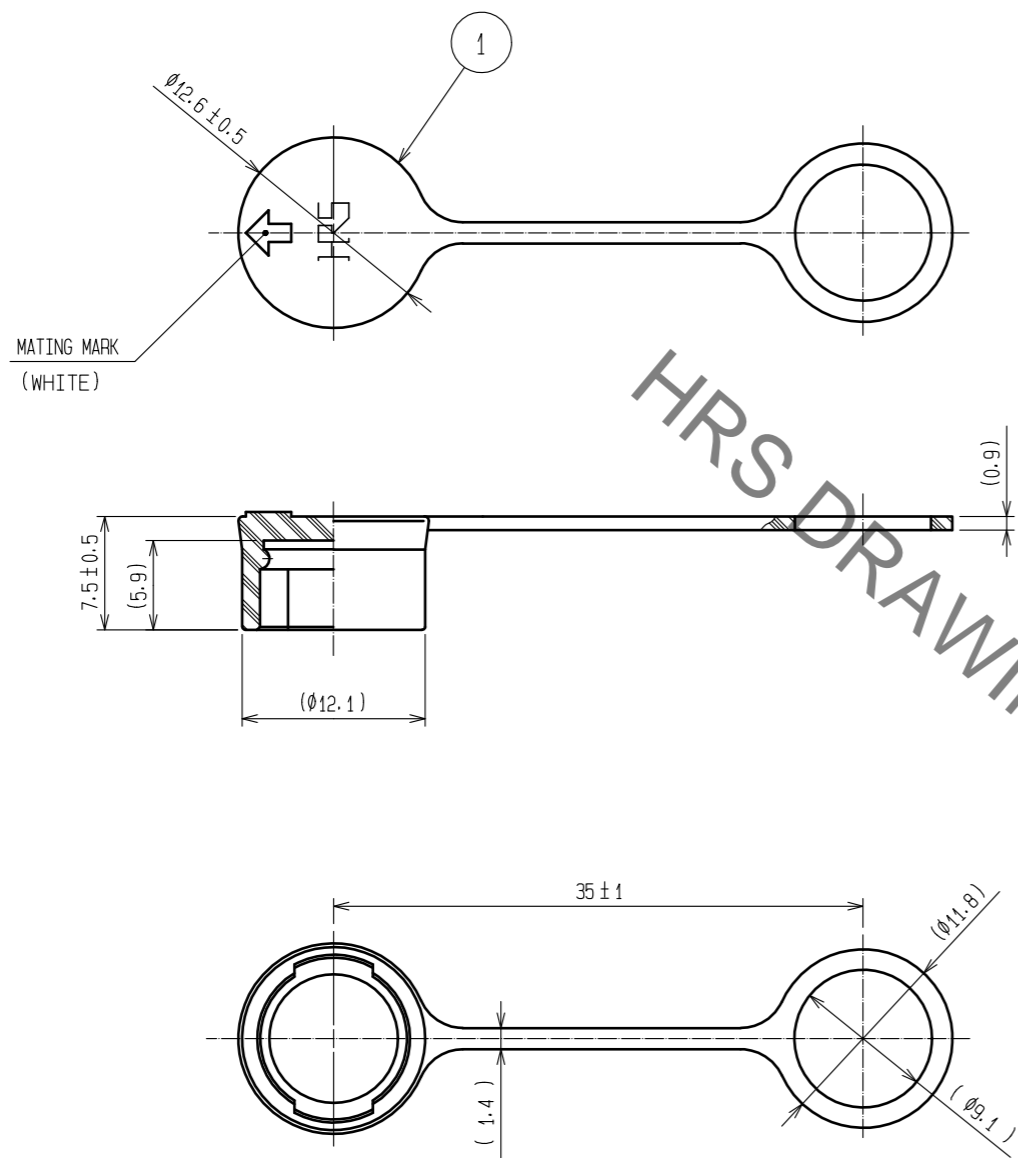
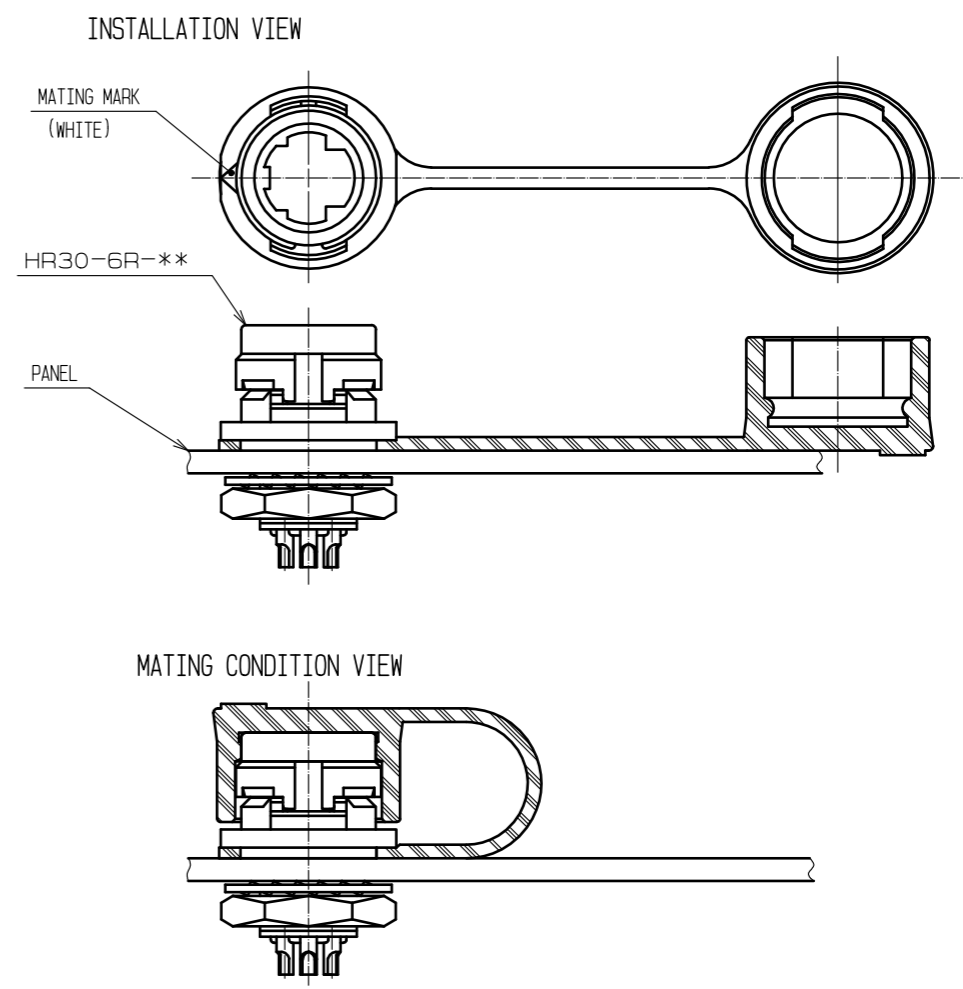


DIAGRAM AFTER ASSEMBLING



HRS DRAWING FOR REFERENCE

NOTES 1 THIS PART TO BE USED AS ASSEMBLED COMPONENT IN THE DIAGRAM AFTER ASSEMBLING.
2 THIS PRODUCT IS A CAP FOR HR30-6R-*(※).
IT IS APPLICABLE REGARDLESS OF GIVEN ALPHABETS OR NUMBERS SHOWN AT ※.

1	CHLOROPRENE RUBBER	BLACK				
NO.	MATERIAL	FINISH . REMARKS	NO.	MATERIAL	FINISH . REMARKS	
UNITS mm		SCALE 2 : 1		DESCRIPTION OF REVISIONS	DESIGNED	CHECKED
HRS	HIROSE ELECTRIC CO., LTD.	APPROVED : HY. KOBAYASHI	18. 02. 26	DRAWING NO.	EDC-112274-31-00	
		CHECKED : HY. KOBAYASHI	18. 02. 26	PART NO.	HR30-6R-C(31)	
		DESIGNED : DS. MATSUNE	18. 02. 24	CODE NO.	CL130-3001-0-31	
		DRAWN : AI. NISHIYAMA	18. 02. 16			

Mouser Electronics

Authorized Distributor

Click to View Pricing, Inventory, Delivery & Lifecycle Information:

[Hirose Electric:](#)

[HR30-6R-C\(31\)](#)