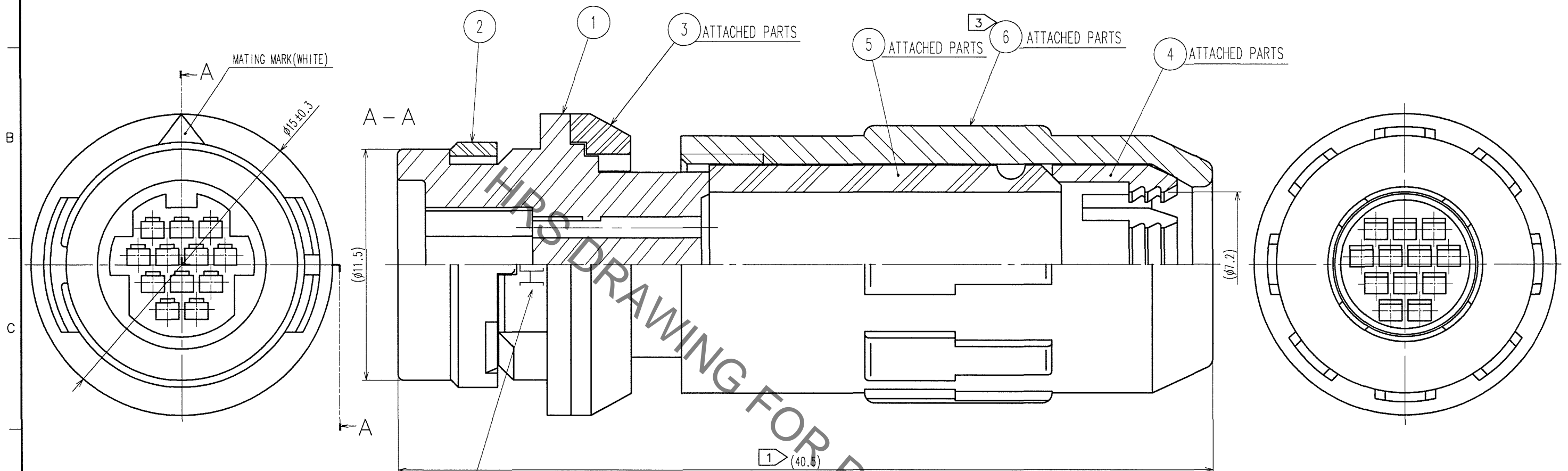
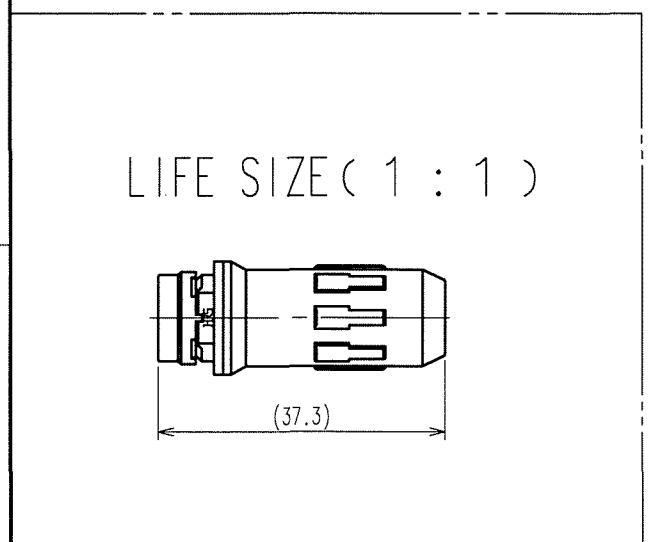


Aug.1.2021 Copyright 2021 HIROSE ELECTRIC CO., LTD. All Rights Reserved.  
 In case of consideration for using Automotive equipment / device which demand high reliability, kindly contact our sales window correspondents.

COUNT	DESCRIPTION OF REVISIONS	BY	CHKD	DATE	COUNT	DESCRIPTION OF REVISIONS	BY	CHKD	DATE
▲ 1	DIS-C-000490	T.H.E.K		07.01.31	▲				
▲					▲				
▲					▲				



- NOTES
- ① TOTAL LENGTH BECOMES 37.3±1 WHEN ⑥ IS SCREWED INTO ① COMPLETELY.
  - ② APPLICABLE CRIMPING CONTACT:HR30-PC-211  
 (APPLICABLE WIRE:26-30 AWG WIRE JACKET DIAMETER:φ1 MAX)  
 APPLICABLE CONTACT WITHDRAWAL HP30-TP
  - ③ THE RECOMMENDED CLUMP TORQUE OF REF. NO.⑥ TO BE 0.5N·m.  
 SPACER FOR ASSEMBLY IS AVAILABLE HR30-8P-T02.  
 STAND FOR ASSEMBLY IS AVAILABLE HR30-7J-12PC-T01.
  - ▲④ THE CABLE PULL AND TWISTING STRENGTH AND OTHER CHARACTERISTICS MAY DIFFER,  
 DEPENDING ON THE CABLE STRUCTURE.  
 PLEASE CONFIRM BEFORE THE USE.



3	PBT	(BLACK)	UL94V-0	6	PPS	(BLACK)	UL94V-0
2	PPS	(BLACK)	UL94V-0	5	SYNTHETIC RUBBER	(BLACK)	
1	PPS	(BLACK)	UL94V-0	4	POLYACETAL	(NATURAL)	
NO.	MATERIAL	FINISH, REMARKS		NO.	MATERIAL	FINISH, REMARKS	

CODE NO. (OLD)	DRAWN	DESIGNED	CHECKED	APPROVED	RELEASED
	E.KUNII	E.KUNII		M.SATO	
	'05.10.14	'05.10.14		'05.10.17	

 SCALE 5 : 1 UNITS mm	DRAWING NO. EDC3-112268-71 HIROSE ELECTRIC CO., LTD	PART NO. HR30-7J-12PC(71) CODE NO. CL130-2017-4-71	1 / 1
-----------------------------------	---	---	-------

# Mouser Electronics

Authorized Distributor

Click to View Pricing, Inventory, Delivery & Lifecycle Information:

[Hirose Electric:](#)

[HR30-7J-12PC\(71\)](#)