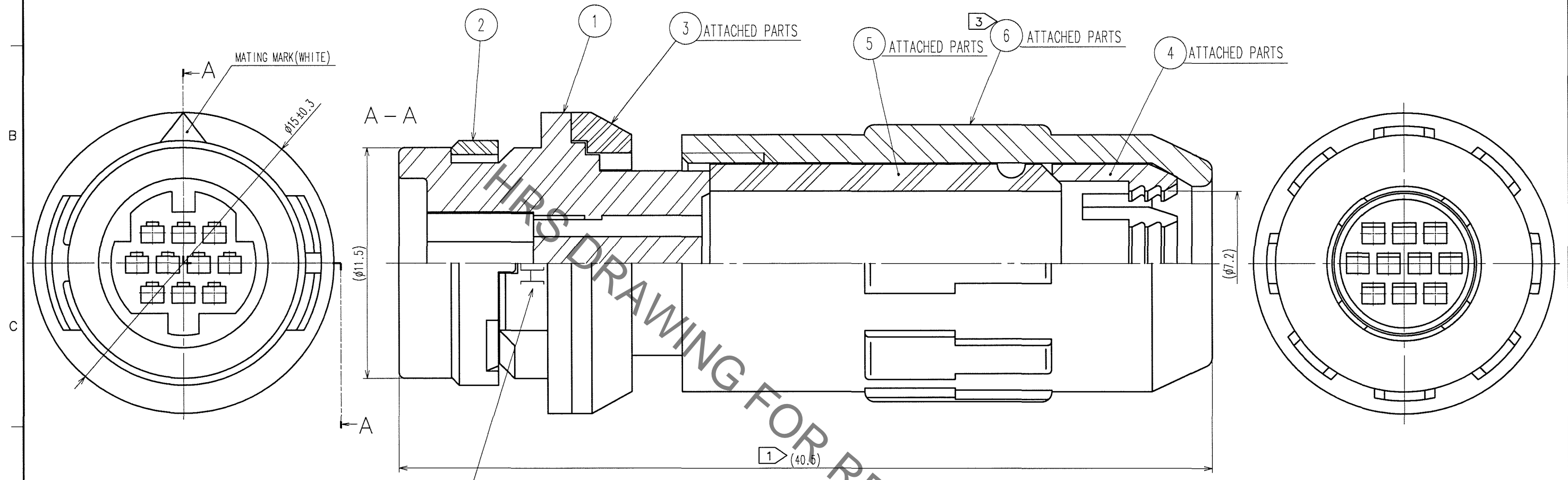


Aug.1.2021 Copyright 2021 HIROSE ELECTRIC CO., LTD. All Rights Reserved.
In case of consideration for using Automotive equipment / device which demand high reliability, kindly contact our sales window correspondents.

COUNT	DESCRIPTION OF REVISIONS	BY	CHKD	DATE	COUNT	DESCRIPTION OF REVISIONS	BY	CHKD	DATE
1	DIS-C-000490	T.H	E.K	07.01.31					

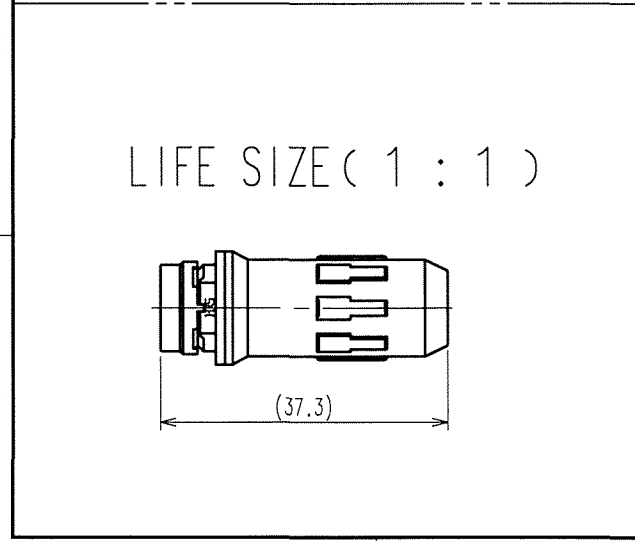


- NOTES
- ① TOTAL LENGTH BECOMES 37.3±1 WHEN ⑥ IS SCREWED INTO ① COMPLETELY.
 - ② APPLICABLE CRIMPING CONTACT:HR30-PC-211
(APPLICABLE WIRE:AWG#26~30 WIRE JACKET DIAMETER:φ1 MAX)
APPLICABLE CRIMP CONTACT EXTRACTION TOOL:HR30-TP
 - ③ THE RECOMMENDED CLUMP TORQUE OF REF. NO.⑥ TO BE 0.5N·m.
LOCTITE 271,LOCPRIMER 7649,HENKEL JAPAN IS RECOMMENDED TO PREVENT REF. NO.⑥ FROM LOOSENING.
SPACER FOR ASSEMBLY IS AVAILABLE HR30-8P-T02.
TABLE FOR ASSEMBLY IS AVAILABLE HR30-7J-10PC-T01.
 - ⚠ ④ THE CABLE PULL AND TWISTING STRENGTH AND OTHER CHARACTERISTICS MAY DIFFER,
DEPENDING ON THE CABLE STRUCTURE.
PLEASE CONFIRM BEFORE THE USE.

3	PBT	(BLACK)	UL94V-0	6	PPS	(BLACK)	UL94V-0
2	PPS	(BLACK)	UL94V-0	5	SYNTHETIC RUBBER	(BLACK)	
1	PPS	(BLACK)	UL94V-0	4	POLYACETAL	(NATURAL)	
NO.	MATERIAL	FINISH, REMARKS		NO.	MATERIAL	FINISH, REMARKS	

CODE NO. (OLD)	DRAWN	DESIGNED	CHECKED	APPROVED	RELEASED
	E.KUNII	E.KUNII		M.SATO	
	'05.10.14	'05.10.14		'05.10.17	

SCALE 5 : 1	DRAWING NO. EDC3-112266-71	PART NO. HR30-7J-10PC(71)
UNITS mm	HRS HIROSE ELECTRIC CO., LTD	CODE NO. CL130-2015-9-71



TO
R

Mouser Electronics

Authorized Distributor

Click to View Pricing, Inventory, Delivery & Lifecycle Information:

[Hirose Electric:](#)

[HR30-7J-10PC\(71\)](#)