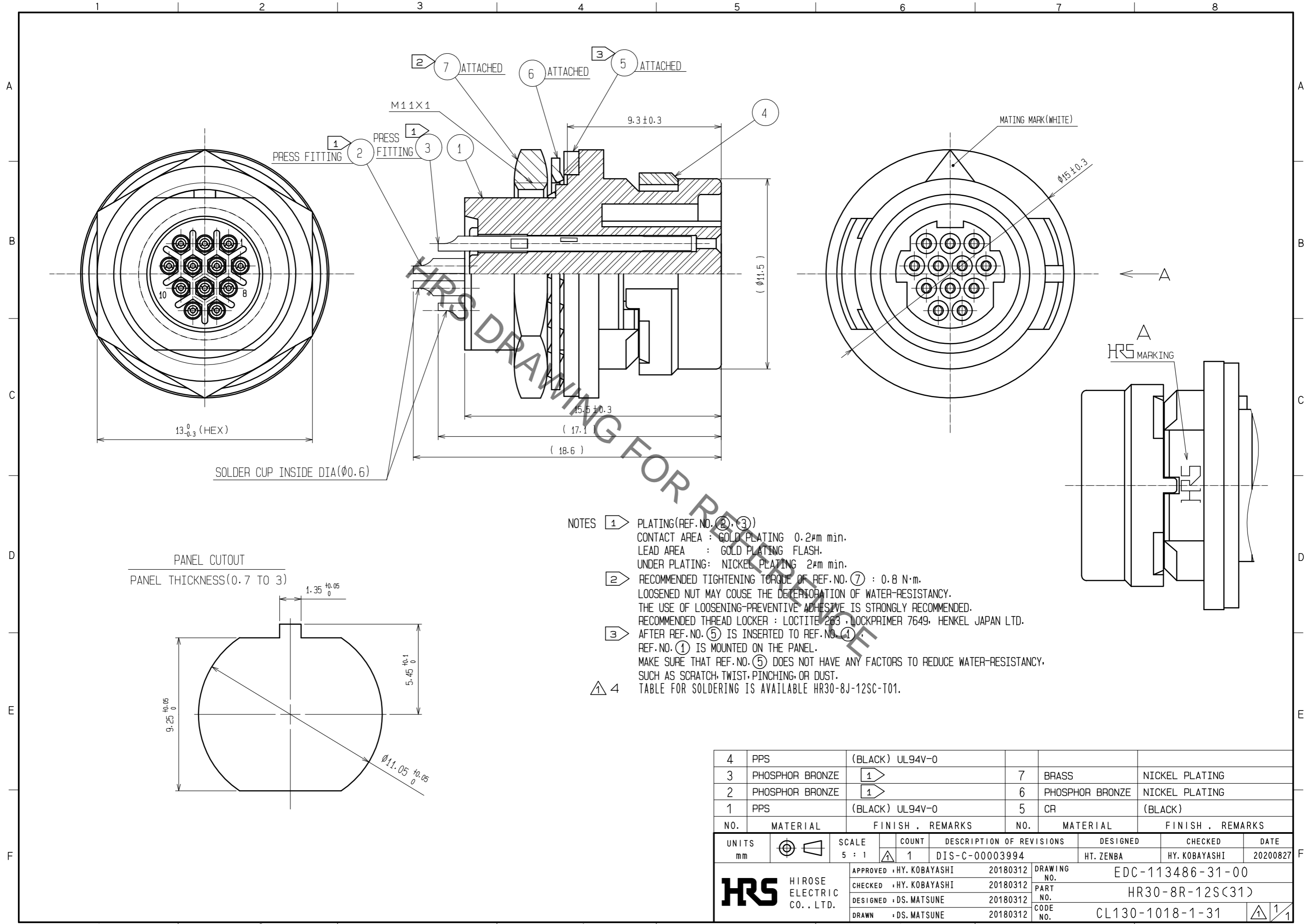


Sep.1.2021 Copyright 2021 HIROSE ELECTRIC CO., LTD. All Rights Reserved.  
In case of consideration for using Automotive equipment / device which demand high reliability, kindly contact our sales window correspondents.



- NOTES
- ① PLATING(REF.NO.②,③)  
CONTACT AREA : GOLD PLATING 0.2µm min.  
LEAD AREA : GOLD PLATING FLASH.  
UNDER PLATING: NICKEL PLATING 2µm min.
  - ② RECOMMENDED TIGHTENING TORQUE OF REF.NO.⑦ : 0.8 N·m.  
LOOSENED NUT MAY CAUSE THE DETERIORATION OF WATER-RESISTANCY.  
THE USE OF LOOSENING-PREVENTIVE ADHESIVE IS STRONGLY RECOMMENDED.  
RECOMMENDED THREAD LOCKER : LOCTITE 263, LOCKPRIMER 7649, HENKEL JAPAN LTD.
  - ③ AFTER REF.NO.⑤ IS INSERTED TO REF.NO.①,  
REF.NO.① IS MOUNTED ON THE PANEL.  
MAKE SURE THAT REF.NO.⑤ DOES NOT HAVE ANY FACTORS TO REDUCE WATER-RESISTANCY,  
SUCH AS SCRATCH, TWIST, PINCHING, OR DUST.
  - ⚠ 4 TABLE FOR SOLDERING IS AVAILABLE HR30-8J-12SC-T01.

4	PPS	(BLACK) UL94V-0			
3	PHOSPHOR BRONZE	①	7	BRASS	NICKEL PLATING
2	PHOSPHOR BRONZE	①	6	PHOSPHOR BRONZE	NICKEL PLATING
1	PPS	(BLACK) UL94V-0	5	CR	(BLACK)
NO.	MATERIAL	FINISH . REMARKS	NO.	MATERIAL	FINISH . REMARKS
UNITS	mm	SCALE	5 : 1	COUNT	1
DESCRIPTION OF REVISIONS			DESIGNED	CHECKED	DATE
DIS-C-00003994			HT. ZENBA	HY. KOBAYASHI	20200827
APPROVED : HY. KOBAYASHI 20180312			DRAWING NO. EDC-113486-31-00		
CHECKED : HY. KOBAYASHI 20180312			PART NO. HR30-8R-12S(31)		
DESIGNED : DS. MATSUNE 20180312			CODE NO. CL130-1018-1-31		
DRAWN : DS. MATSUNE 20180312			1/1		

# Mouser Electronics

Authorized Distributor

Click to View Pricing, Inventory, Delivery & Lifecycle Information:

[Hirose Electric:](#)

[HR30-8R-12S\(31\)](#)