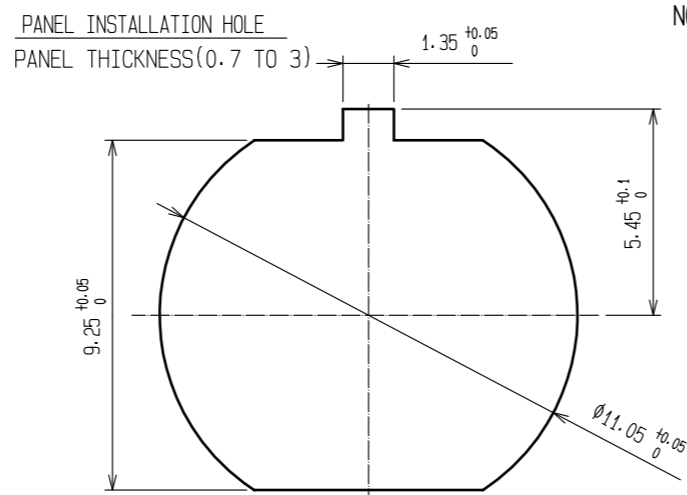
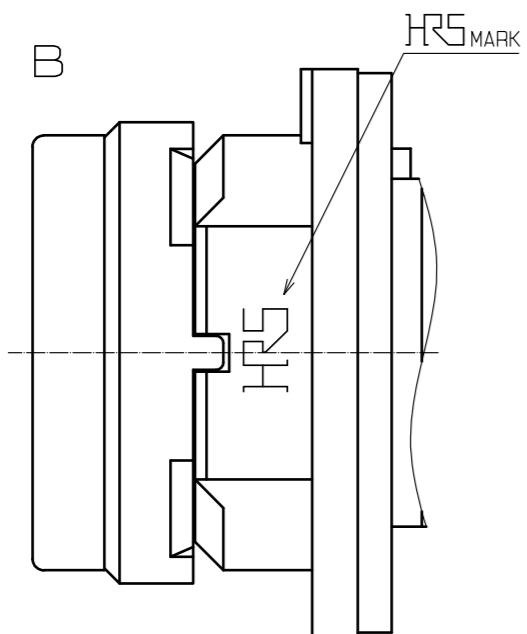
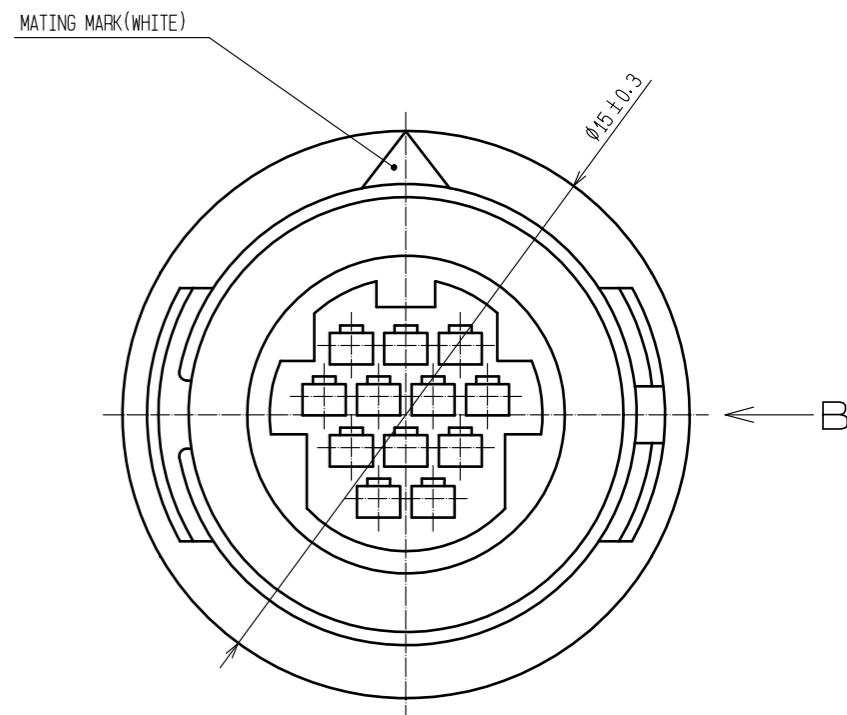
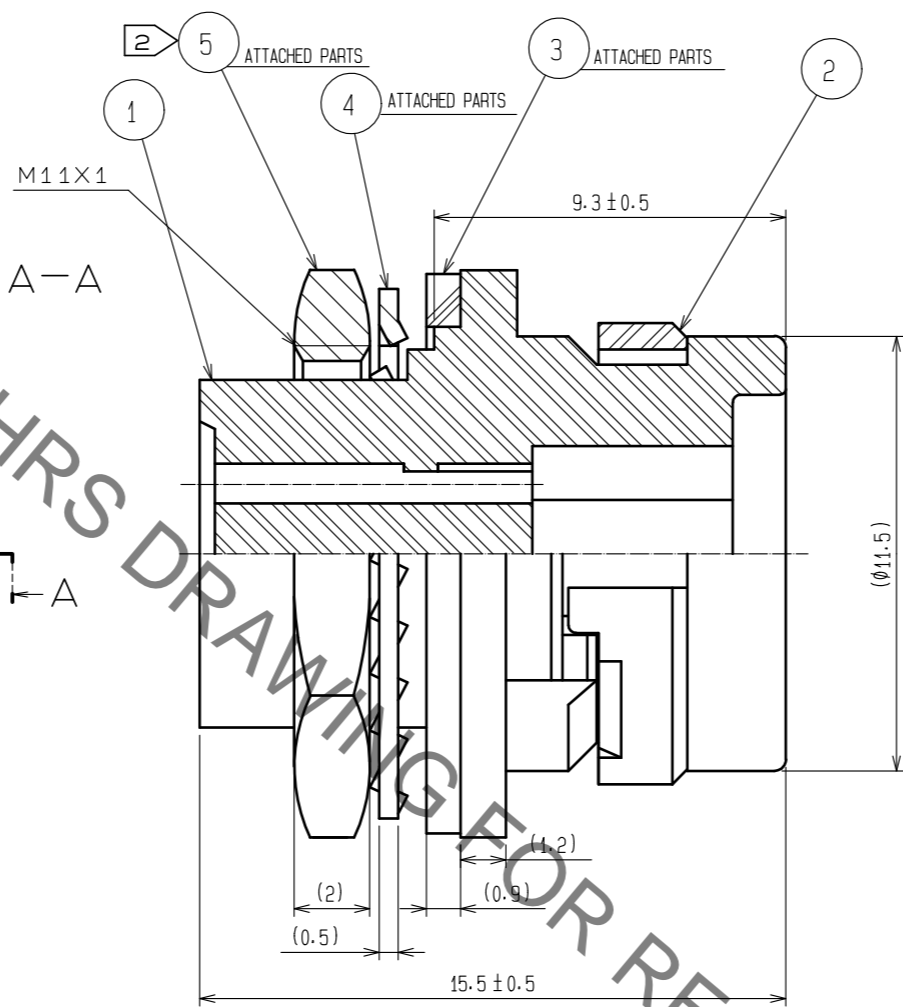
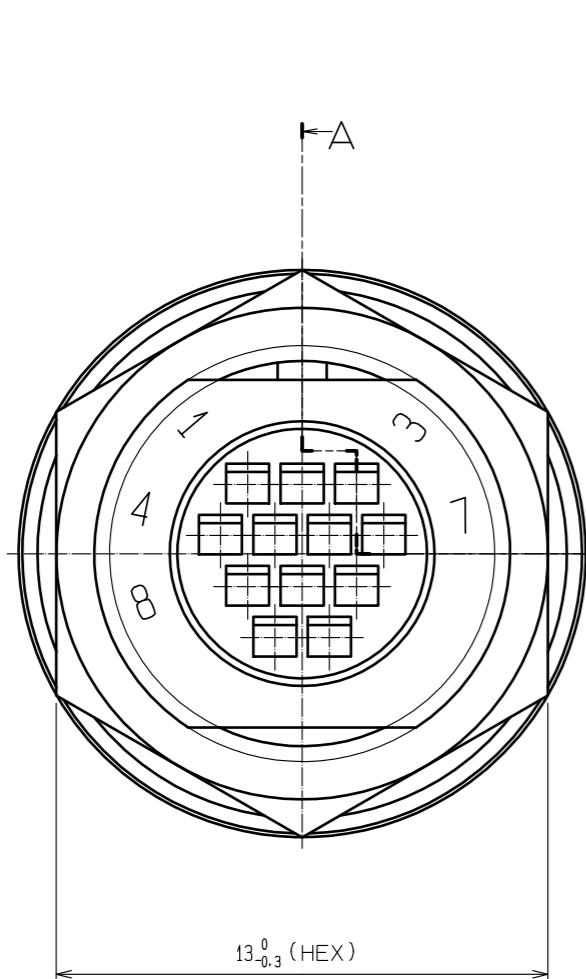


Sep.1.2021 Copyright 2021 HIROSE ELECTRIC CO., LTD. All Rights Reserved.  
 In case of consideration for using Automotive equipment / device which demand high reliability, kindly contact our sales window correspondents.



- NOTES 1 APPLICABLE CRIMPING CONTACT:HR30-PC-211  
 (APPLICABLE WIRE:26 TO 30 AWG WIRE JACKET DIAMETER:Ø1 MAX)  
 APPLICABLE CONTACT WITHDRAWAL TOOL:HP30-TP  
 2 THE RECOMMENDED CLUMP TORQUE OF REF. NO. ⑤ TO BE 0.8N·m.  
 LOCTITE 263, LOCPRIMER 7649, LOCTITE JAPAN IS RECOMMENDED TO PREVENT REF. NO. ⑤ FROM LOOSENING.

| NO. | MATERIAL | FINISH . | REMARKS | NO. | MATERIAL        | FINISH . | REMARKS        |
|-----|----------|----------|---------|-----|-----------------|----------|----------------|
| 3   | CR       | (BLACK)  |         |     |                 |          |                |
| 2   | PPS      | (BLACK)  | UL94V-0 | 5   | BRASS           |          | NICKEL PLATING |
| 1   | PPS      | (BLACK)  | UL94V-0 | 4   | PHOSPHOR BRONZE |          | NICKEL PLATING |

| UNITS                    | SCALE | COUNT | DESCRIPTION OF REVISIONS | DESIGNED                     | CHECKED | DATE |
|--------------------------|-------|-------|--------------------------|------------------------------|---------|------|
| mm                       | 5 : 1 | △     |                          |                              |         |      |
| APPROVED : HY. KOBAYASHI |       |       | 18.03.12                 | DRAWING NO. EDC-112155-31-00 |         |      |
| CHECKED : HY. KOBAYASHI  |       |       | 18.03.12                 | PART NO. HR30-7R-12PC(31)    |         |      |
| DESIGNED : DS. MATSUNE   |       |       | 18.03.12                 | CODE NO. CL130-1013-8-31     |         |      |
| DRAWN : DS. MATSUNE      |       |       | 18.03.12                 |                              |         |      |

# Mouser Electronics

Authorized Distributor

Click to View Pricing, Inventory, Delivery & Lifecycle Information:

[Hirose Electric:](#)

[HR30-7R-12PC\(31\)](#)