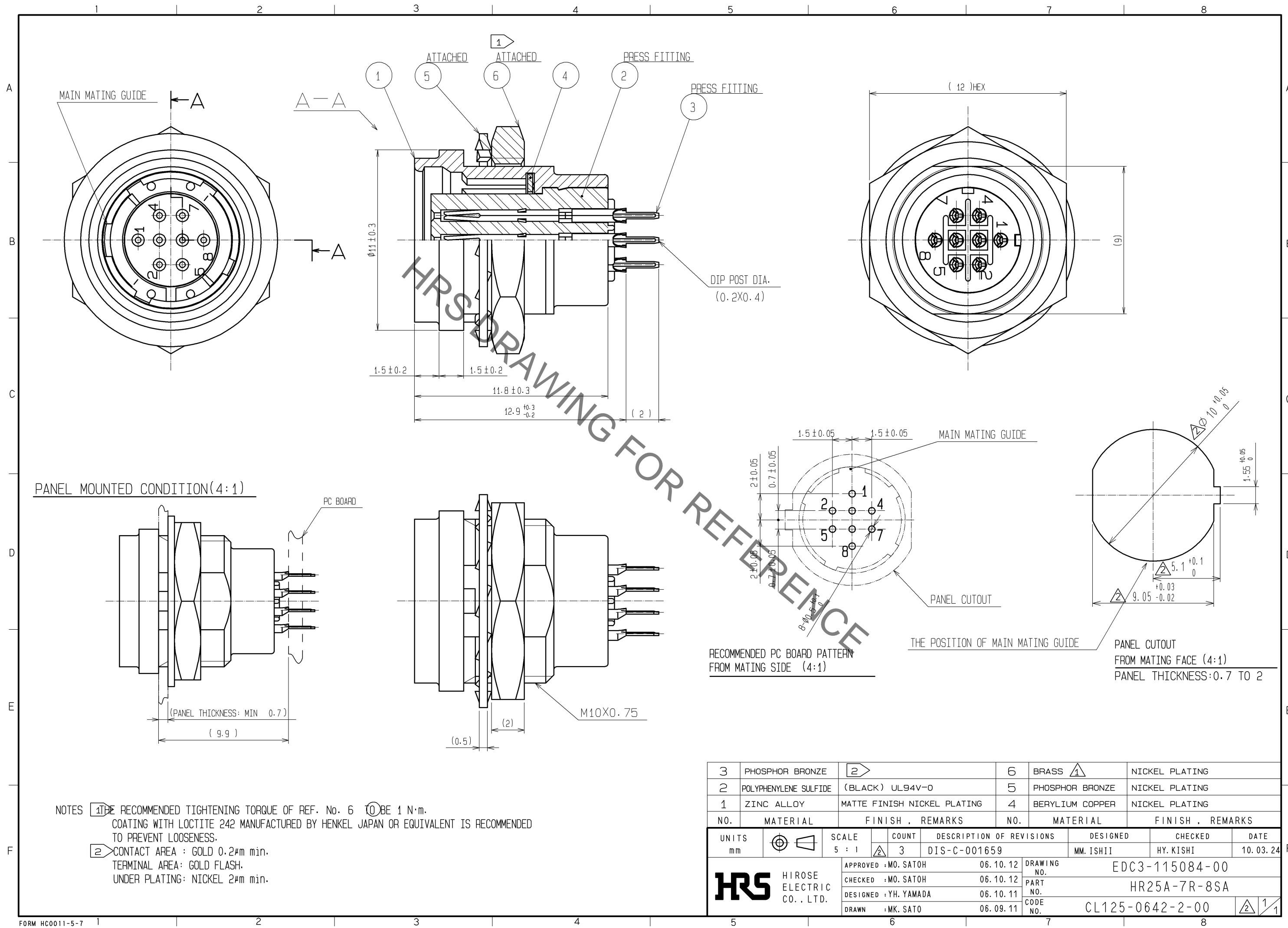


Sep.1.2021 Copyright 2021 HIROSE ELECTRIC CO., LTD. All Rights Reserved.
In case of consideration for using Automotive equipment / device which demand high reliability, kindly contact our sales window correspondents.



3	PHOSPHOR BRONZE		6	BRASS	NICKEL PLATING		
2	POLYPHENYLENE SULFIDE	(BLACK) UL94V-0	5	PHOSPHOR BRONZE	NICKEL PLATING		
1	ZINC ALLOY	MATTE FINISH NICKEL PLATING	4	BERYLIUM COPPER	NICKEL PLATING		
NO.	MATERIAL	FINISH . REMARKS	NO.	MATERIAL	FINISH . REMARKS		
UNITS	ϕ	SCALE	COUNT	DESCRIPTION OF REVISIONS	DESIGNED	CHECKED	DATE
mm		5 : 1	3	DIS-C-001659	MM. ISHII	HY. KISHI	10.03.24
APPROVED : MO. SATOH		06.10.12	DRAWING NO.		EDC3-115084-00		
CHECKED : MO. SATOH		06.10.12	PART NO.		HR25A-7R-8SA		
DESIGNED : YH. YAMADA		06.10.11	CODE NO.		CL125-0642-2-00		
DRAWN : MK. SATO		06.09.11					

Mouser Electronics

Authorized Distributor

Click to View Pricing, Inventory, Delivery & Lifecycle Information:

[Hirose Electric:](#)

[HR25A-7R-8SA](#)