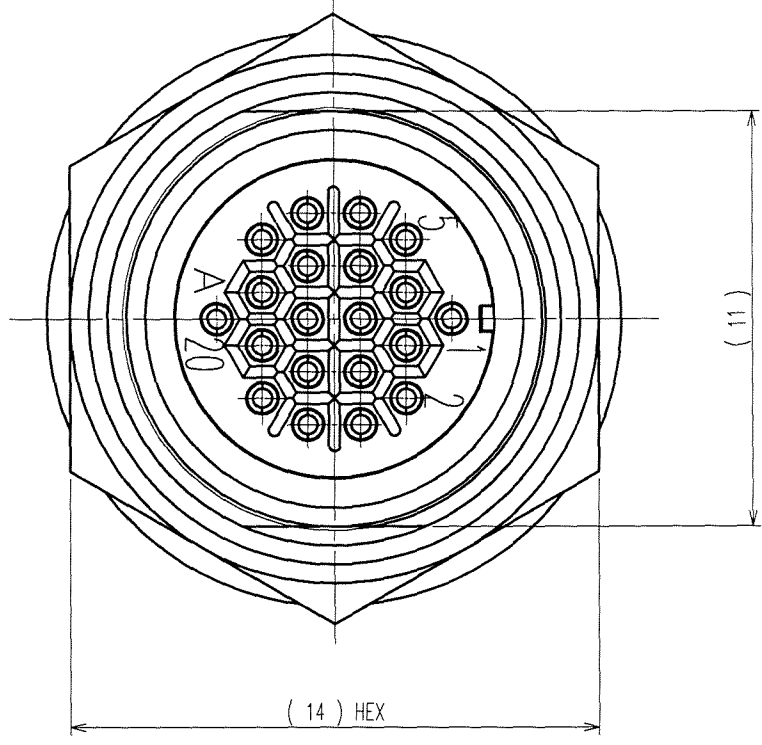
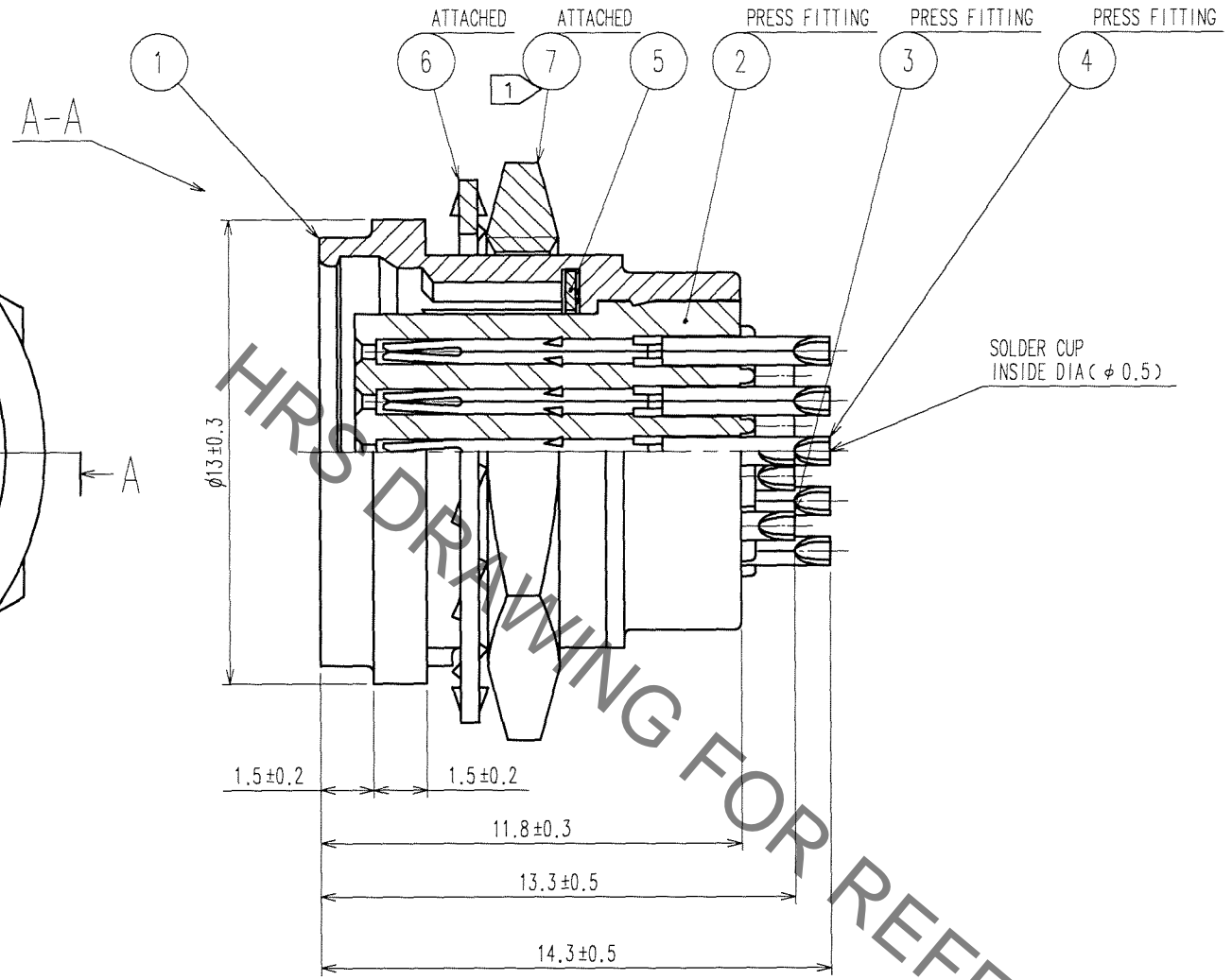
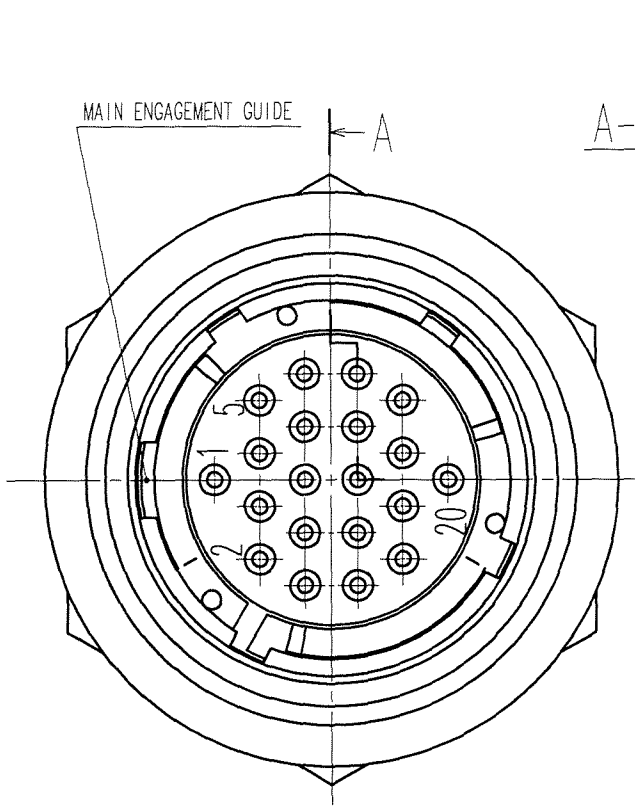
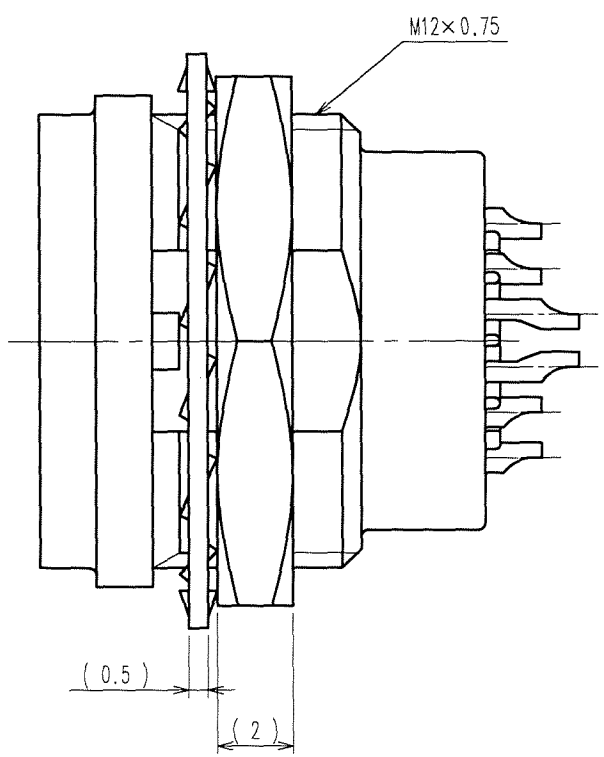
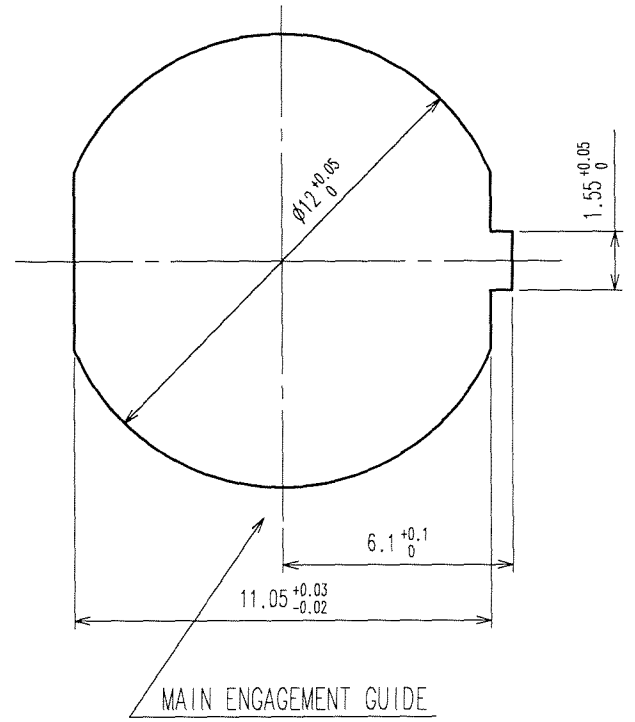


Sep.1.2021 Copyright 2021 HIROSE ELECTRIC CO., LTD. All Rights Reserved.
In case of consideration for using Automotive equipment / device which demand high reliability, kindly contact our sales window correspondents.

COUNT	DESCRIPTION OF REVISIONS	BY	CHKD	DATE	COUNT	DESCRIPTION OF REVISIONS	BY	CHKD	DATE
1	DIS-C-000585	T.K	E.K	07.07.27					



PANEL CUTOUT
PANEL THICKNESS: 0.7~2



NOTES

① THE RECOMMENDED TIGHTENING TORQUE OF REF. No. ⑦ TO BE 1.5 N·m.
COATING WITH LOCTITE 242 MANUFACTURED BY HENKEL JAPAN OR EQUIVALENT IS RECOMMENDED TO PREVENT LOOSENESS.

② CONTACT AREA : GOLD 0.2μ m min.
TERMINAL AREA : GOLD FLASH.
UNDER PLATING : NICKEL 2μ m min

NO.	MATERIAL	FINISH, REMARKS	NO.	MATERIAL	FINISH, REMARKS
4	PHOSPHOR BRONZE	②			
3	PHOSPHOR BRONZE	②	7	BRASS	NICKEL PLATED
2	PPS	(BLACK) 94V-0	6	STEEL	ZINC CHROMATIZED (TRIVALENT CHROMIUM)
1	ZINC ALLOY	MATE FINISH NICKEL PLATED	5	BERYLLIUM COPPER	NICKEL PLATED

CODE NO. (OLD)	CL	DRAWN	DESIGNED	CHECKED	APPROVED	RELEASED
		Y.YAMADA	Y.YAMADA	T.AKIYAMA	M.SATO	
		'05 11 05	'05 11 05	'05 11 05	'05 11 05	

SCALE	5 : 1	DRAWING NO.	EDC3-114767	PART NO.	HR25A-9R-20S
UNITS	mm			CODE NO.	CL125-0601-5



1/1

Mouser Electronics

Authorized Distributor

Click to View Pricing, Inventory, Delivery & Lifecycle Information:

[Hirose Electric:](#)

[HR25A-9R-20S](#)