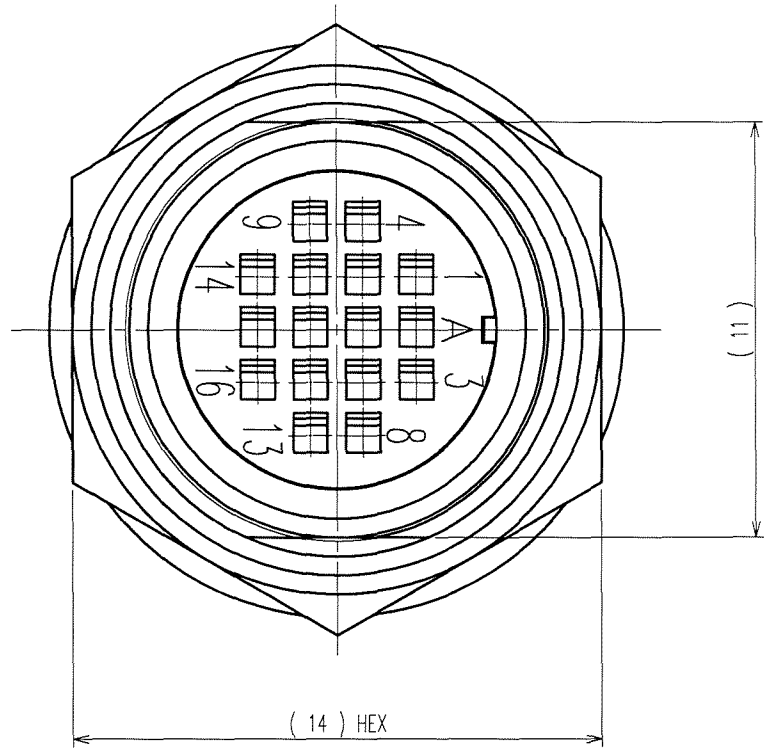
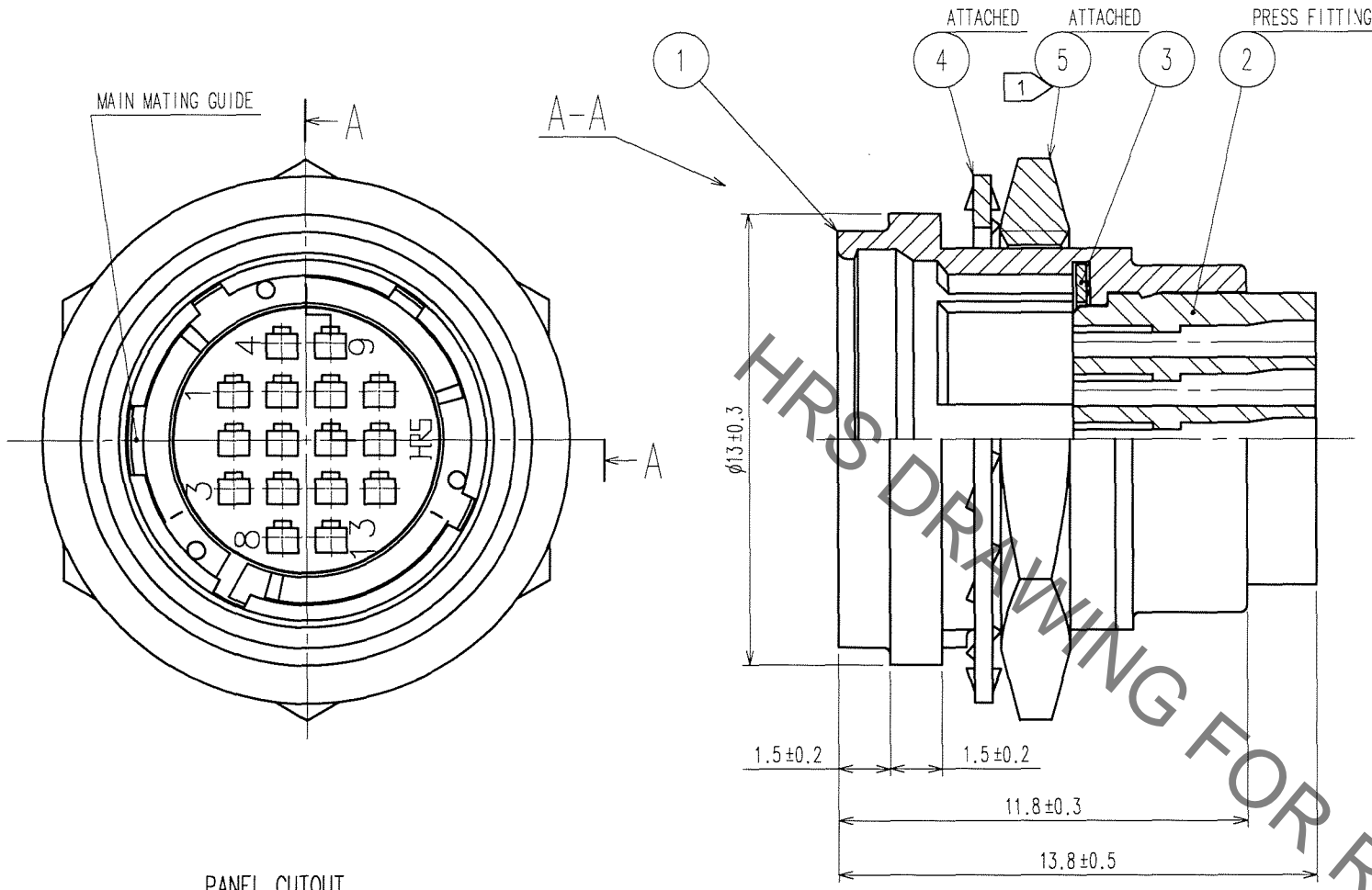
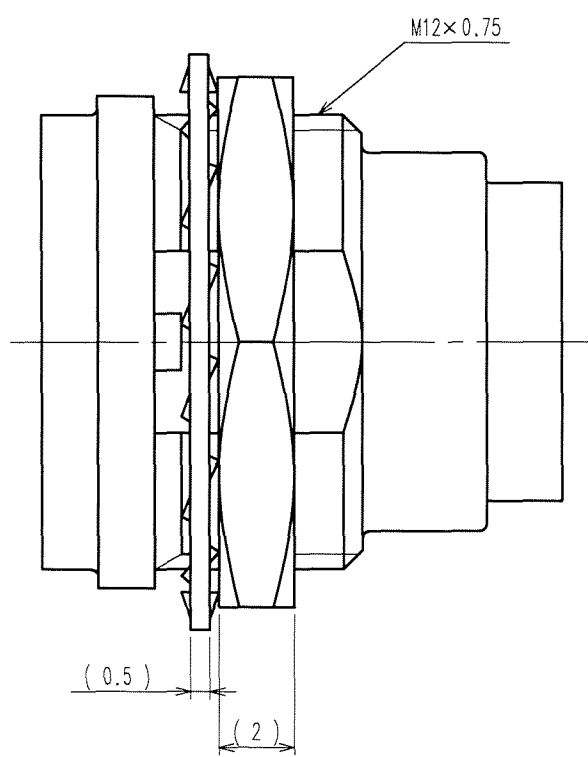
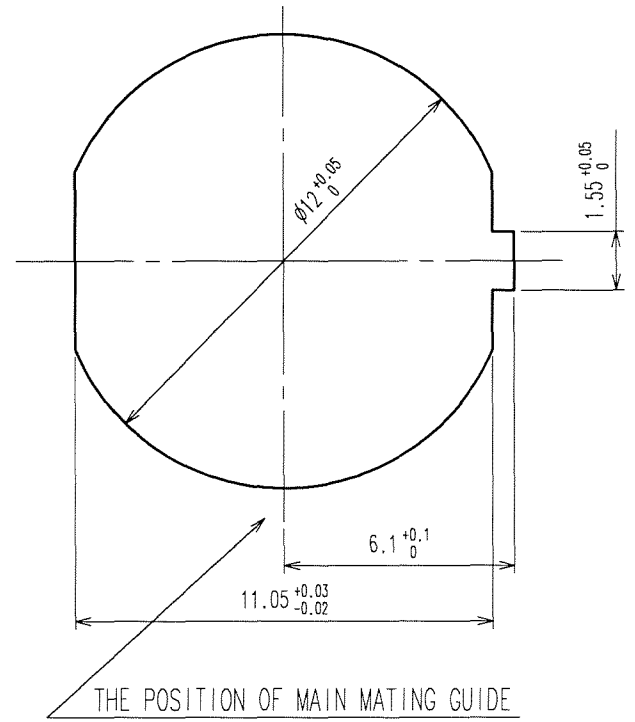


Jan.1.2022 Copyright 2022 HIROSE ELECTRIC CO., LTD. All Rights Reserved.  
In case of consideration for using Automotive equipment / device which demand high reliability, kindly contact our sales window correspondents.

COUNT	DESCRIPTION OF REVISIONS	BY	CHKD	DATE	COUNT	DESCRIPTION OF REVISIONS	BY	CHKD	DATE
1	DIS-C-000585	T.K	E.K	07.07.27					



PANEL CUTOUT  
PANEL THICKNESS: 0.7 TO 2



- NOTES
- THE RECOMMENDED TIGHTENING TORQUE OF REF. No. ⑤ TO BE 1.5 N·m. COATING WITH LOCTITE 242 MANUFACTURED BY HENKEL JAPAN OR EQUIVALENT IS RECOMMENDED TO PREVENT LOOSENESS.
  - APPLICABLE CRIMP CONTACT: HR25-PC-111 (CL125-0419-1) (AWG#30, JACKET OUTSIDE DIA: 0.71 MAX.)
  - APPLICABLE CRIMP CONTACT EXTRACTION TOOL: HR25-TP (CL125-0091-0)

NO.	MATERIAL	FINISH, REMARKS	NO.	MATERIAL	FINISH, REMARKS
3	BERYLLIUM COPPER	NICKEL PLATING	5	BRASS	NICKEL PLATING
2	POLYPHENYLENE SULFIDE	(BLACK) 94V-0	4	STEEL	ZINC CHROMATIZED (TRIVALENT CHROMIUM)
1	ZINC ALLOY	MATTE FINISH NICKEL PLATING			

CODE NO. (OLD) CL	DRAWN M.SATO '06 09 11	DESIGNED Y.YAMADA '06 09 11	CHECKED K.EZAWA '06 09 11	APPROVED M.SATO '06 09 15	RELEASED .
DRAWING NO. EDC3-115099		PART NO. HR25A-9R-16PC			
SCALE 5 : 1		UNITS mm		CODE NO. CL125-0657-0-00	

TO
R

# Mouser Electronics

Authorized Distributor

Click to View Pricing, Inventory, Delivery & Lifecycle Information:

[Hirose Electric:](#)

[HR25A-9R-16PC](#)