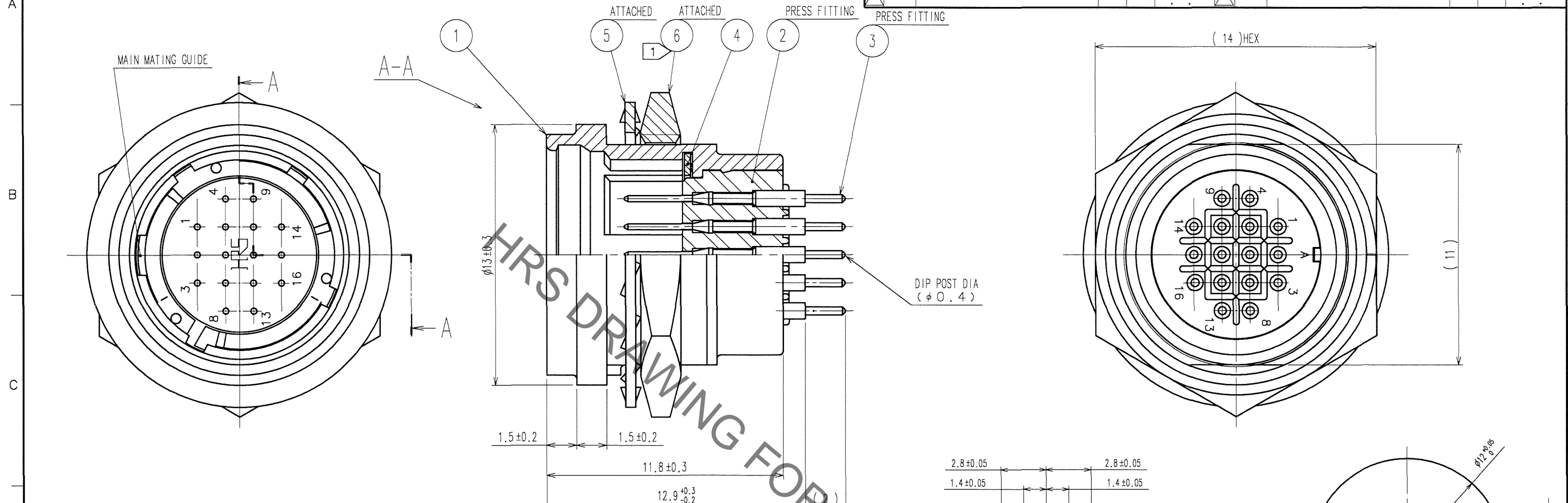


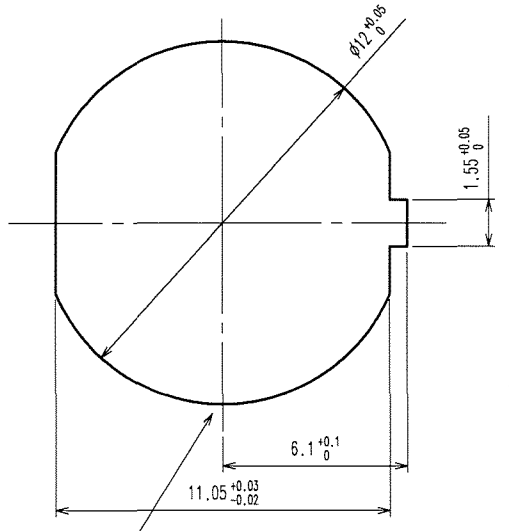
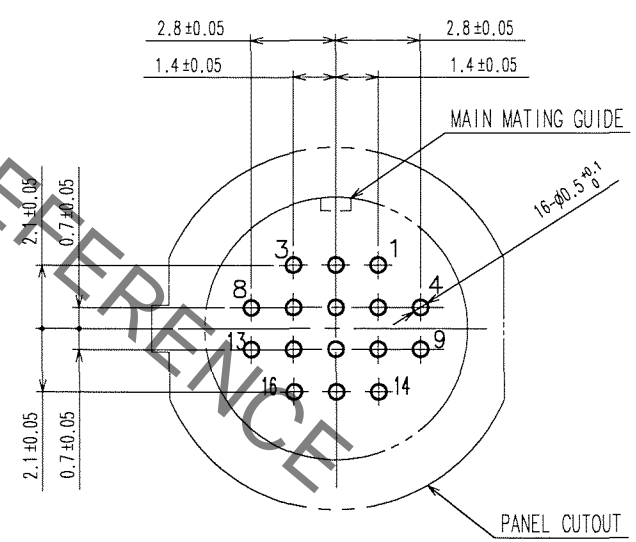
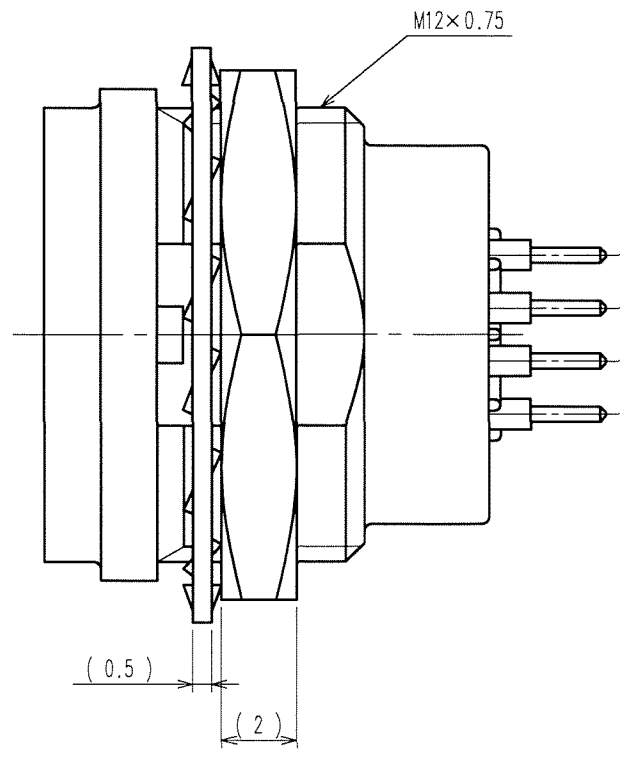
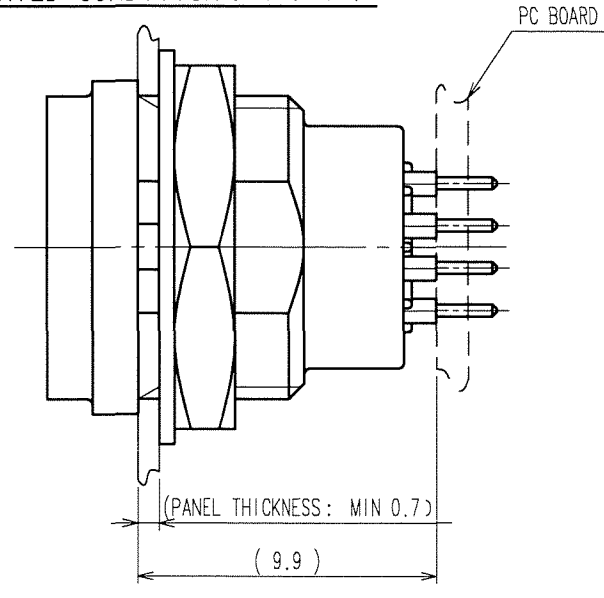
Jan.1.2022 Copyright 2022 HIROSE ELECTRIC CO., LTD. All Rights Reserved.
In case of consideration for using Automotive equipment / device which demand high reliability, kindly contact our sales window correspondents.

COUNT	DESCRIPTION OF REVISIONS	BY	CHKD	DATE	COUNT	DESCRIPTION OF REVISIONS	BY	CHKD	DATE
1	DIS-C-000585	T.K.E.K		07.07.27					



- NOTES
- ① THE RECOMMENDED TIGHTENING TORQUE OF REF. No.⑥ TO BE 1.5 N·m. COATING WITH LOCTITE 242 MANUFACTURED BY HENKEL JAPAN OR EQUIVALENT IS RECOMMENDED TO PREVENT LOOSENESS.
 - ② OVER PLATING : GOLD 0.2μm min. UNDER PLATING : NICKEL 2μm min.

PANEL MOUNTED CONDITION (4 : 1)



RECOMMENDED PC BOARD PATTERN FROM MATING SIDE(4 : 1)
THE POSITION OF MAIN MATING GUIDE
PANEL CUTOUT FROM MATING FACE(4 : 1)
PANEL THICKNESS: 0.7 TO 2

NO.	MATERIAL	FINISH, REMARKS	NO.	MATERIAL	FINISH, REMARKS
3	PHOSPHOR BRONZE	②	6	BRASS	NICKEL PLATING
2	POLYPHENYLENE SULFIDE (BLACK) UL94V-0		5	STEEL	ZINC CHROMATIZED (TRIVALENT CHROMIUM)
1	ZINC ALLOY	MATTE FINISH NICKEL PLATING	4	BERYLLIUM COPPER	NICKEL PLATING

CODE NO. (OLD) CL	DRAWN M.SATO '06 09 28	DESIGNED Y.YAMADA '06 09 28	CHECKED ..	APPROVED M.SATO '06 09 29	RELEASED ..
----------------------	------------------------------	-----------------------------------	---------------	---------------------------------	----------------

SCALE 5 : 1	DRAWING NO. EDC3-115081	PART NO. HR25A-9R-16PA
UNITS mm	HIROSE ELECTRIC CO., LTD	CODE NO. CL125-0639-8-00

TO
R

Mouser Electronics

Authorized Distributor

Click to View Pricing, Inventory, Delivery & Lifecycle Information:

[Hirose Electric:](#)

[HR25A-9R-16PA](#)